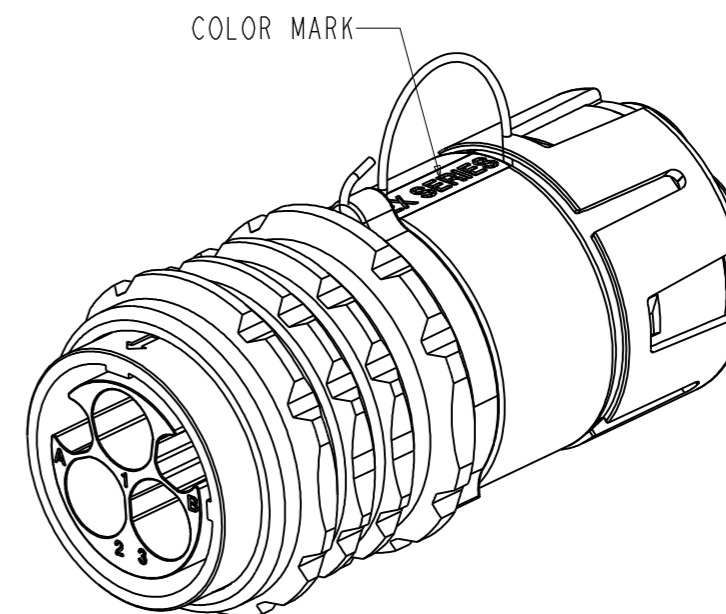
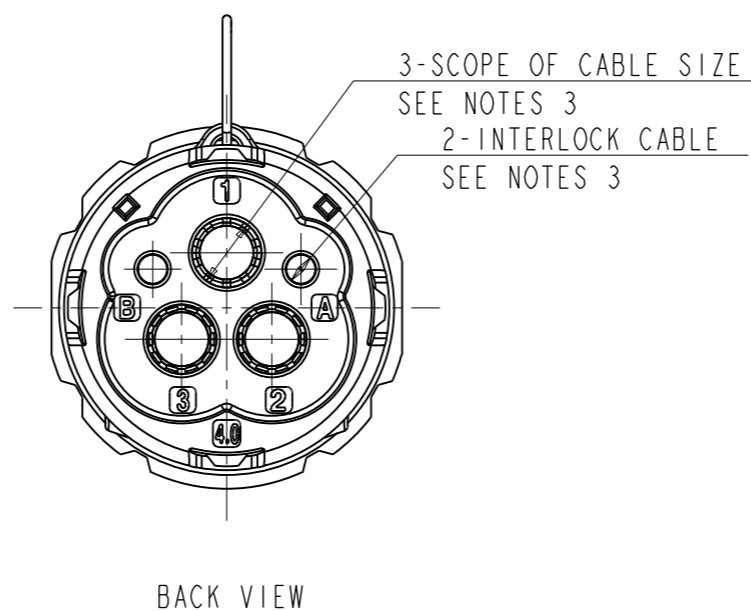
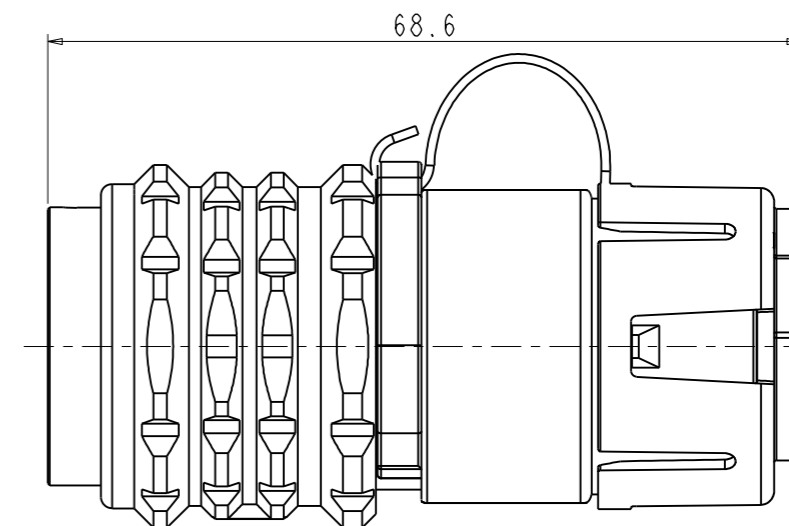
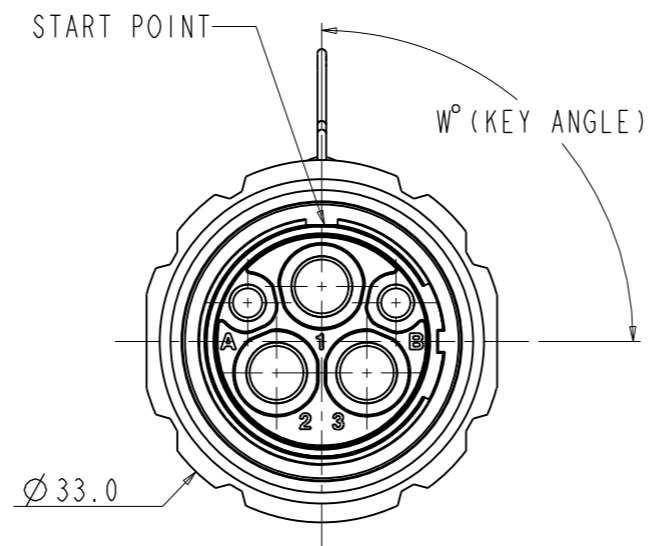


Amphenol PCD SZ  
ORIGINAL  
PDF Format  
R&D

NOTES:

- PRODUCT DO NOT INCLUDE CONTACT, NEED TO BUY SEPARATELY.  
POWER PIN: EX30M4 FOR 2.5mm<sup>2</sup>~284mm<sup>2</sup> CABLE  
EX30M6 FOR 6mm<sup>2</sup> CABLE  
SIGNAL PIN: EX16MI FOR 0.5~0.75mm<sup>2</sup> CABLE  $\triangle$
- 1~3 HOLES FOR  $\varnothing$ 3.0 POWER PIN  
A, B HOLES FOR  $\varnothing$ 1.6 HVIL PIN
- SCOPE OF CABLE OUTSIDE DIAMETER OPTION:  
2.5mm<sup>2</sup> OD=4.7~5.3mm;  
4.0mm<sup>2</sup> OD=5.1~5.7mm;  
6.0mm<sup>2</sup> OD=6.1~6.7mm;  
INTERLOCK CABLE:  
0.5~0.75mm<sup>2</sup> CABLE OD=2.1~2.7mm  $\triangle$
- TECHNICAL DATA TABLE



TECHNICAL DATA		
CURRENT RATING (6 mm <sup>2</sup> SHIELDING CABLE)	40A @ AMBIENT 70°C	+
CURRENT RATING (4 mm <sup>2</sup> SHIELDING CABLE)	32A @ AMBIENT 70°C	+
CURRENT RATING (2.5mm <sup>2</sup> SHIELDING CABLE)	23A @ AMBIENT 70°C	+
CURRENT RATING (0.5~0.75mm <sup>2</sup> CABLE) $\triangle$	5A @ AMBIENT 70°C	+
RATING VOLTAGE (OVERVOLTAGE CATEGORY II POLLUTION DEGREE 2)	1000V DC	+
OPERATING TEMPERATURE	-40~125°C	
DIELECTRIC WITHSTANDING VOLTAGE	POWER CONTACT 3000V AC(RMS)	+
	HVIL CONTACT 660V AC(RMS)	+
INSULATION RESISTANCE	200M $\Omega$ MIN.@25°C	+
DURABILITY	50 CYCLES	◎
SHIELDING	YES	
WATERPROOF (MATED CONDITION)	IP 68 & IPX9K	+
PROTECTION LEVEL	IP2XB	+
AMBIENT TEMPERATURE	-40~70°C	
R <sub>o</sub> HS	YES	+

"+" CRITICAL CHARACTERISTIC  
"◎" IMPORTANT CHARACTERISTIC

DIMENSIONS	TOLERANCES	PROJECTION	TITLE		
ANSI Y14.5M UNITS: MM Pro/E FILE	.X ±0.5 .XX ±0.05 ANGLES ±2°		Amphenol PCD Shenzhen		
ORIGINAL	THIS DOCUMENT CONTAINS PROPRIETARY INFORMATION WHICH IS THE CONFIDENTIAL PROPERTY OF Amphenol PCD Shenzhen Co. Ltd Amphenol PCD Shenzhen Co. Ltd RESERVES THE RIGHT TO CLARIFY THIS DRAWING	CHKD	SIZE	DWG NO.	REV
		APPD	A3	C-EX40306XXXI	D
			CODE: 58982	SCALE: 3:2	SHEET 1 OF 2

5. HOW TO ORDER EX403 PLUG: EX403 06 X X X I

CABLE SHIELDED WIRE:  
I: INDIVIDUAL LAYER MASK  
CABLE SIZE OPTION:

KEY OF CODING OPTION:

KEY CODE	COLOR & KEY ANGLE(W)	TABLE 1 2# PART
A	RED & 45°	EX40306AI
B	BLACK & 90°	EX40306BI
C	YELLOW & 180°	EX40306CI
D	GREEN & 270°	EX40306DI
E	BLUE & 315°	EX40306EI



CODE	DESCRIPTION	TABLE 2 3# PART	TABLE 3 4# PART	TABLE 4 5# PART	TABLE 5 6# PART	TABLE 6 5# PART
2	2.5mm <sup>2</sup> CABLE	C4310036501	C4200036651	C4270036623	C4220035651	C4270036624
4	4.0mm <sup>2</sup> CABLE	C4310036502	C4200036652	C4270036627	C4220035652	C4270036628
6	6.0mm <sup>2</sup> CABLE	C4310036502	P03BM00100	C4270036627	C4220035653	P01BR00283

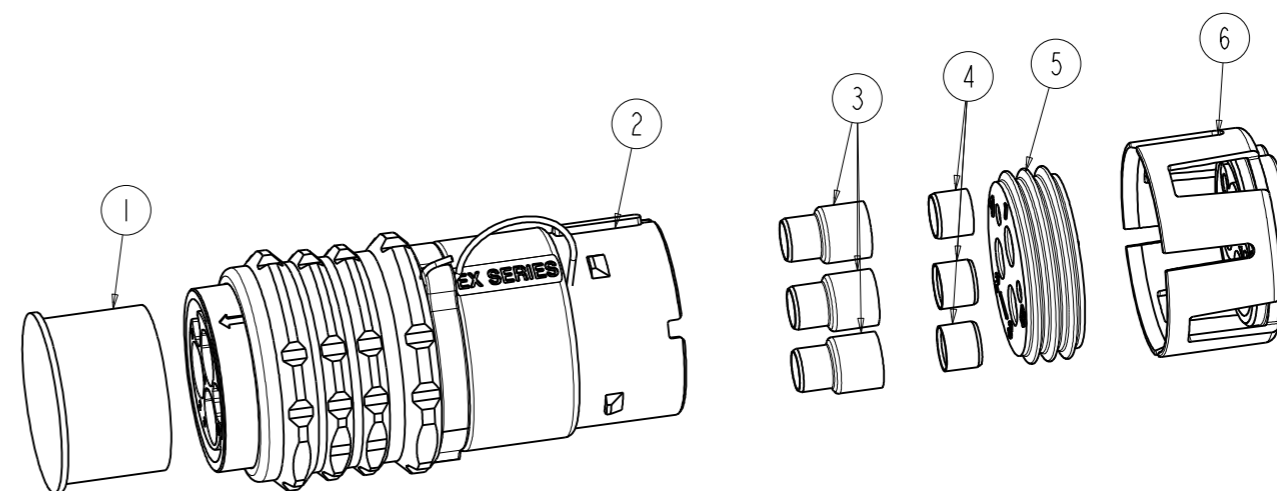
INTERLOCK OPTION:

CODE	DESCRIPTION
0	WITHOUT HVIL (NOT INCLUDE HVIL CONTACT)
1	WITH SHORTED HVIL (INSTALLED ALREADY)
2	WITH HVIL, THE PIN EXTERNAL. (HVIL CONTACT NEED TO BUY SEPARATELY)

6. ASSEMBLY AND DETAIL EX SERIES BOM LIST SHOW  
DETAIL EX SERIES BOM LIST

EX40306 X 0 X I OR EX40306 X 1 X I	6	SEE TABLE 5	1	REAR COVER
	5	SEE TABLE 4	1	SEAL
	4	SEE TABLE 3	3	INNER FERRULE
	3	SEE TABLE 2	3	OUTER FERRULE
	2	SEE TABLE 1	1	MAIN BODY
	1	C422005984	1	DUST COVER
ASSEMBLY NUMBER	ITEM	P/N	Q'TY	DESCRIPTION

EX40306 X 2 X I	6	SEE TABLE 5	1	REAR COVER
	5	SEE TABLE 6	1	SEAL
	4	SEE TABLE 3	3	INNER FERRULE
	3	SEE TABLE 2	3	OUTER FERRULE
	2	SEE TABLE 1	1	MAIN BODY
	1	C422005984	1	DUST COVER
ASSEMBLY NUMBER	ITEM	P/N	Q'TY	DESCRIPTION



C-EX40306XXXI

C-EX40306XXXI

SIZE	DWG NO.	REV
A3	C-EX40306XXXI	D
CODE: 58982	SCALE: 1:1	SHEET 2 OF 2

单击下面可查看定价，库存，交付和生命周期等信息

[>>Amphenol\(安费诺\)](#)