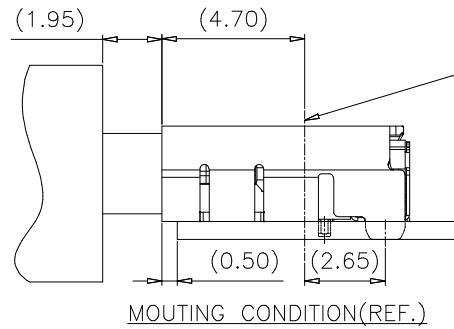
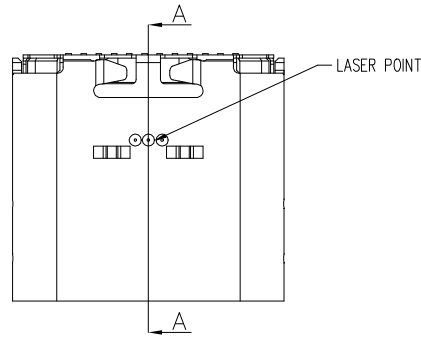
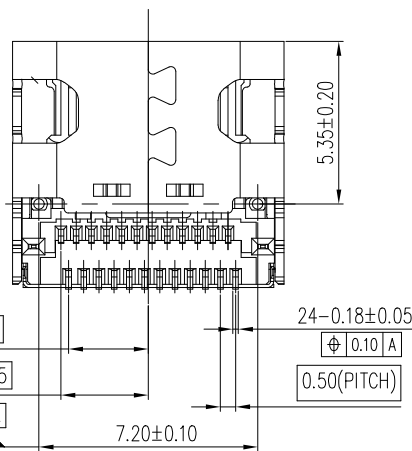
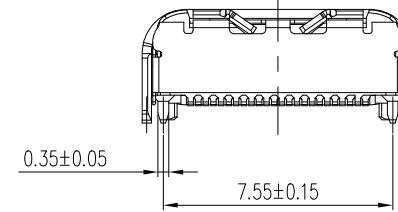
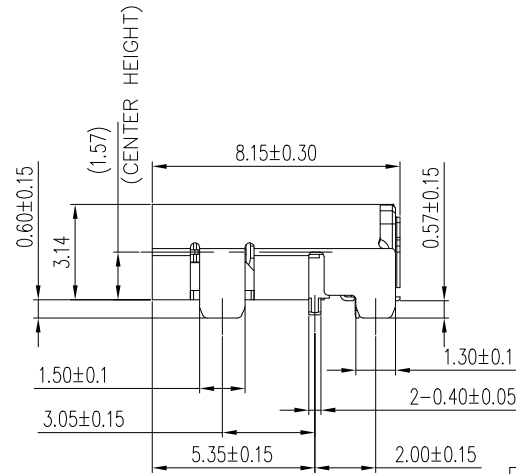
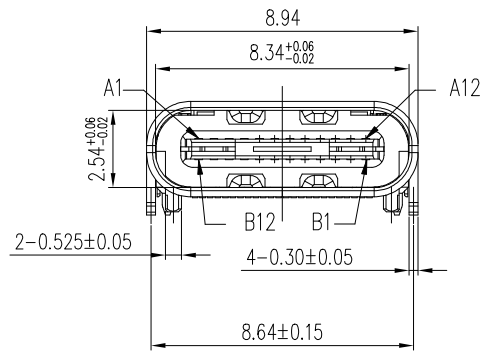
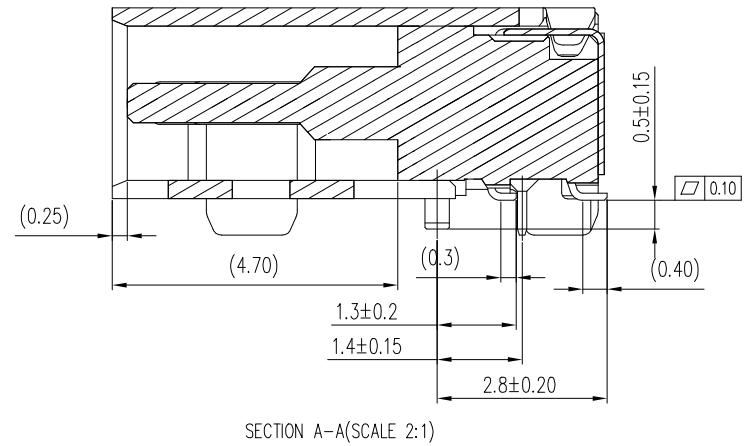


PRODUCT NUMBER
SEE PART NO. SCHEME



MATING BOTTOM SURFACE



USB TYPE-C PIN ASSIGNMENTS

PIN NUMBER	SIGNAL NAME	PIN NUMBER	SIGNAL NAME
A1	GND	B12	GND
A2	SSTXp1	B11	SSRXp1
A3	SSTXn1	B10	SSRXn1
A4	Vbus	B9	Vbus
A5	CC1	B8	SBU2
A6	Dp1	B7	Dn2
A7	Dn1	B6	Dp2
A8	SBU1	B5	CC2
A9	Vbus	B4	Vbus
A10	SSRXn2	B3	SSTXn2
A11	SSRXp2	B2	SSTXp2
A12	GND	B1	GND

ITEM	PART NAME	QTY	MATERIAL	REMARK
⑦	TOP CONTACT	1 SET	COPPER ALLOY	Ni UNDER PLATING.
⑥	BOTTOM CONTACT	1 SET	COPPER ALLOY	MATTE TIN PLATING ON SOLDER AREA. GOLD PLATING ON CONTACT AREA. (SEE P/N SCHEME)
⑤	MID PLATE	1 PCS	STAINLESS	Ni PLATING OVERALL.
④	SHIELDING PLATE	1 PCS	STAINLESS	Ni PLATING OVERALL.
③	HOUSING	1 PCS	THERMOPLASTIC	UL94V-0, BLACK
②	REAL SHELL	1 PCS	STAINLESS	Ni PLATING OVERALL.
①	MIAN SHELL	1 PCS	STAINLESS	Ni PLATING OVERALL.

ITEM	PART NAME	QTY	MATERIAL	REMARK
mat'l. code		surface	tolerance	projection
		ISO 1302	ISO 406 ISO 1101	product family
ltr		tolerances unless otherwise specified		HPL 511
A	ecn no	dr	date	title
A	TAI	TAI	2015-10-06	USB 3.1 GEN2 Type C RECEPT.
B	ELX-T-23963	YY	2016-04-26	R/A SMT AND DIP TAILS
C	ELX-N-82017	LQ	2017-10-09	scale 1:1
D	ELX-N-40260-I	YY	2020-03-05	dwg no
		dr	KENNY TAI	2015-09-21
		engr	Yuan-Yuan Bao	2021-03-02
		chr	Li-Qing Lei	2021-03-02
		appd	Tim Yao	2021-03-02
sheet	revision			
index	sheet			

© 2016 AFCI

PRODUCT NUMBER

SEE PART NO. SCHEME

NOTES:

1. ELECTRICAL:

- 1-1. CONTACT CURRENT RATING:
5.0A FOR VBUS AND GND.
(i.e., Pins A4,A9,B4,B9)
1.25A FOR Vconn AND GND.
(i.e., Pins B5,A1,A12,B1,B12)
0.25A FOR ALL THE OTHERS CONTACTS.

- 1-2. GROUND TERMINALS(A1,A12,B1,B12)
& MID-PLATE & SHELL ARE
SHORT TOGETHER

- 1-3. INSULATION RESISTANCE:
100 MEGAOHMS MIN. AT 250VDC.

- 1-4. DIELECTRIC WITHSTANDING VOLTAGE:
100VAC MIN.

- 1-5. LOW LEVEL CONTACT RESISTANCE:
INITIAL: 40mΩ MAX.; AFTER ENVIRONMENTAL
TEST: MAX. CHANGE 10mΩ.

2. MECHANICAL CHARACTERISTICS:

- 2-1. INSERTION FORCE:
5N~20N.
- 2-2. EXTRACTION FORCE:
8N~20N FROM 1 TO 1000 CYCLES
6~20N FROM 1001 TO 10000 CYCLES.
- 2-3. DURABILITY:
10,000 MATING CYCLES.
- 2-4. OPERATING TEMPERATURE:
-55°C TO +85°C
- 2-5. STATE STORAGE TEMPERATURE:
-55°C TO +85°C

- 3. CAPABLE TO 260°C REFLOW SOLDER FOR 10 SEC.

- 4. PRODUCT SPECIFICATION: GS-12-1336

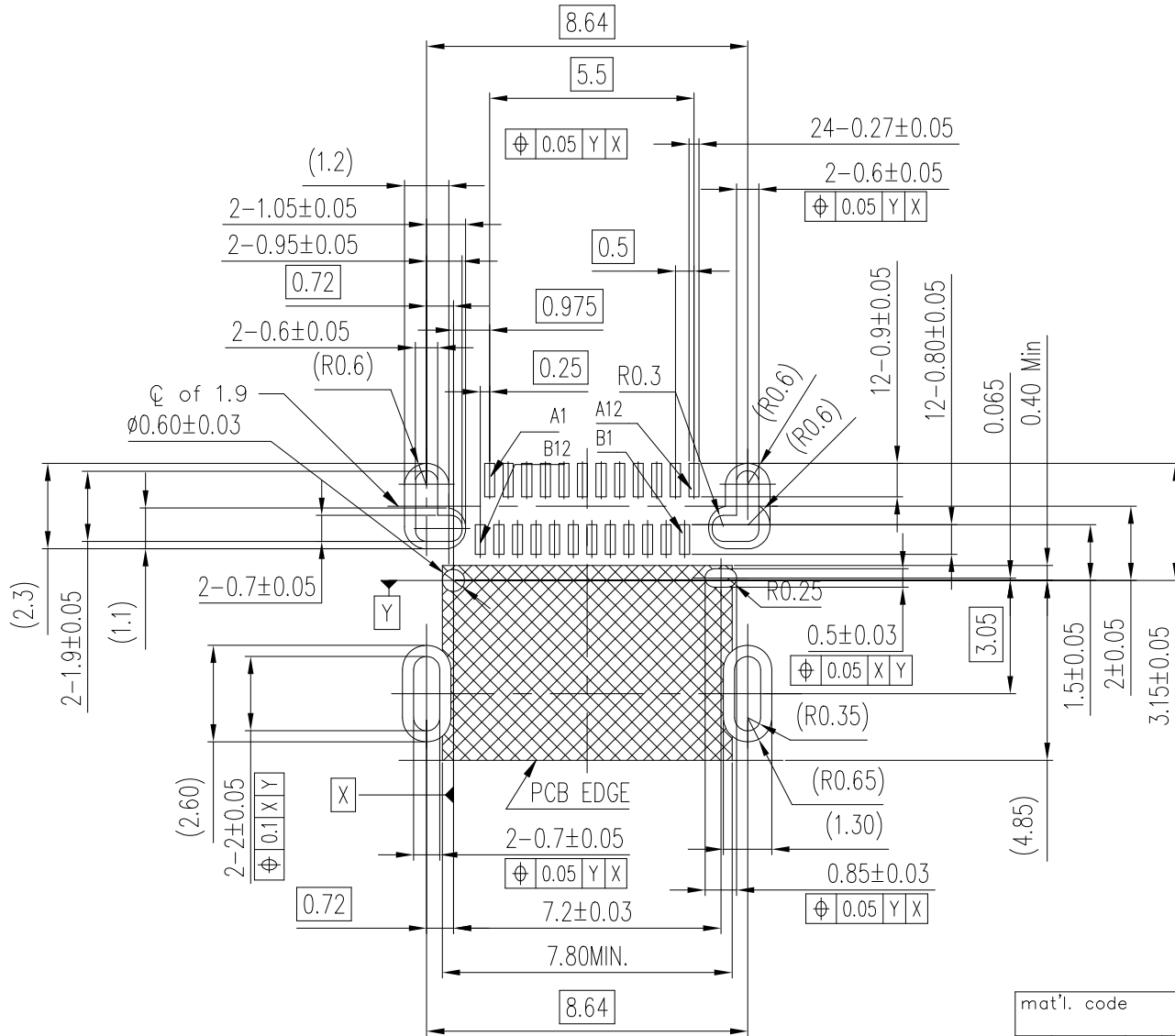
- 5. PACKAGE SPECIFICATION: GS-14-2487

PART NUMBER SCHEME:

10137065-000 X X LF

CONTACT PLATING
1. GOLD FLASH
2. 30u" Au

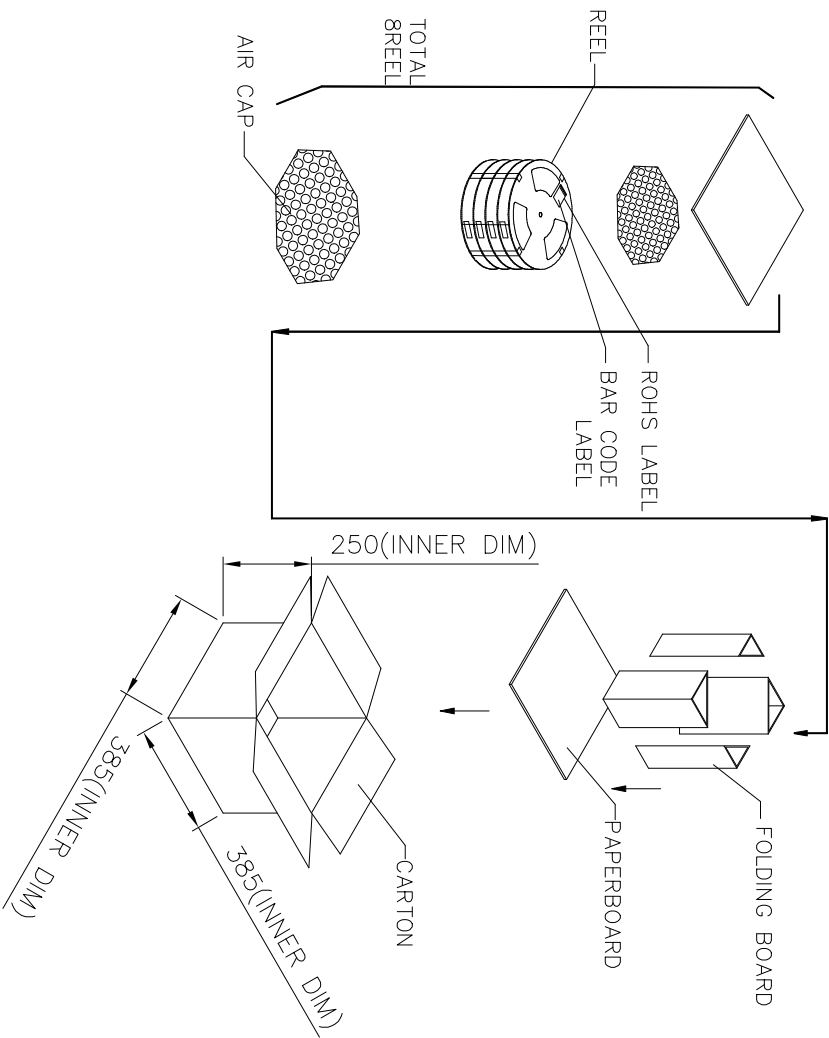
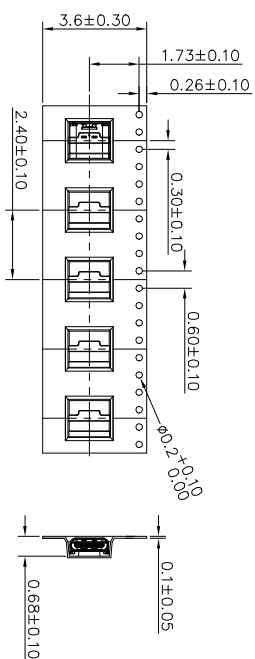
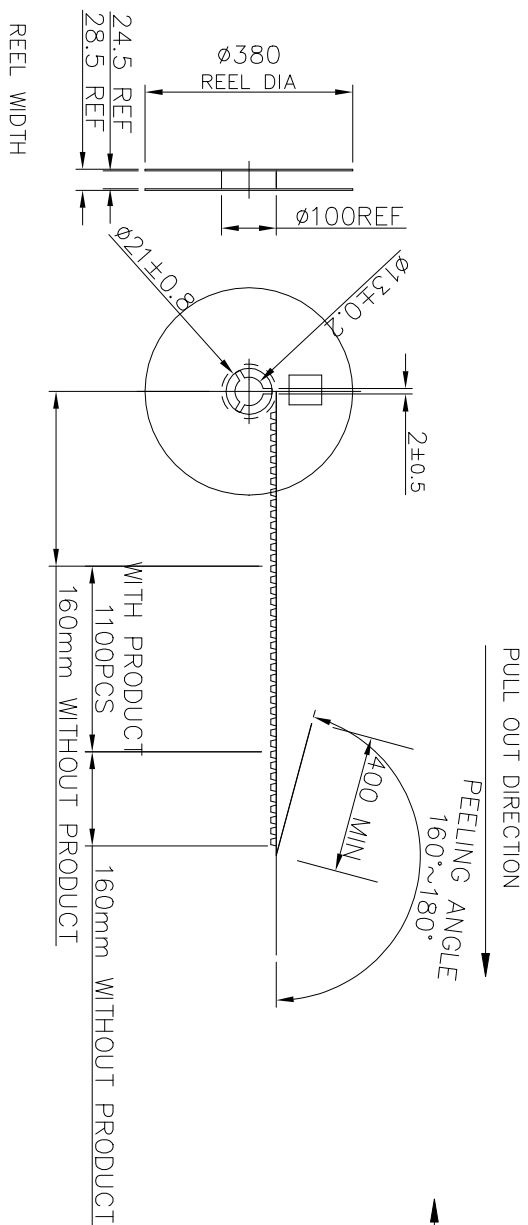
PACKAGING
1. TAPE AND REEL



RECOMMENDED PCB LAYOUT

- 1. TOP VIEW, PCB TOLERANCE: ±0.05
- 2. Hatched area CLEAR OF COMPONENTS, VIAS AND ROUTING.

mat'l. code		surface	tolerance	projection	product family
		ISO 1302 ✓	ISO 406 ISO 1101		HPL 511
ltr	ecn no	dr	date	tolerances unless otherwise specified	title
D				±0.3	USB 3.1 GEN2 Type C RECEPT. R/A SMT AND DIP TAILS
		angles	linear	mm	scale 1:1
		0°±3'			
		dr	KENNY TAI	2015-09-21	dwg no
		engr	Yuan-Yuan Bao	2021-03-02	sheet2 of 3
		chr	Li-Qing Lei	2021-03-02	size
		appd	Tim Yao	2021-03-02	10137065
					A3
					type Product Customer Drawing
sheet index	revision sheet				



NOTES : (FOR REEL)

- PRODUCT MUST MEET CONTROLLED SUBSTANCES SPEC. ROHS 2.0
- PACKAGING MATERIAL IN PLASTIC, RUBBER, INK, PIGMENT AND PAINT
- MUST MEET CONTROLLED SUBSTANCES SPEC PER 230-702.
- * CADMIUM AND CADMIUM COMPOUNDS NOT TO EXCEED: 5 PPM.
- * LEAD, CADMIUM, CHROM VI AND MERCURY NOT TO EXCEED: 100 PPM (COMBINED).
- * CARRIER TAPES, COVER TAPES, REELS AND TAPED COMPONENTS MUST MEET THE REQUIREMENTS DEFINED PER EIA-481-B.
- 1. MATERIAL :
COVER TAPE : ANTISTATIC P.S T=0.05±0.01 , COLOR: CLEAR
CARRIER TAPE : ANTISTATIC P.S T=0.40mm ±0.05 , COLOR: BLACK
REEL : PS UL94V-0
SHIPPING BOX: CORRUGATED FIBER
- 2. DIMENSION :
REEL : SEE DRAWING
BOX : SEE DRAWING
- 3. QUANTITY : SEE TABLE
- 4. WEIGHT : SEE TABLE
- 5. PEELING RESISTANCE : 10gf~130gf (for 12~56mm)
- 6. PEELING SPEED : 300mm/MINUTES

PCS/ REEL/ BOX	PCS/ REEL/ BOX	PART NUMBER
1100	8	8800
		10137065-00XXXXL

mat'l. code	surface	tolerance	projection	product family
ISO 1302	ISO 406	ISO 1101	HPL 511	
tolerances unless otherwise specified				title
angles	linear	±0.3	mm	USB 3.1 GEN2 Type C RECEPT.
0±.3			scale 1:1	R/A SMT AND DIP TAILS
dr	KENNY TAI	2015-09-21		sheet 3 of 3 size
engr	Yuan-Yuan Bao	2021-03-02		10137065
chr	Li-Qing Lei	2021-03-02		A3
qppd	Tim Yoo	2021-03-02		type Product Customer Drawing
sheet index	revision			

单击下面可查看定价，库存，交付和生命周期等信息

[>>Amphenol\(安费诺\)](#)