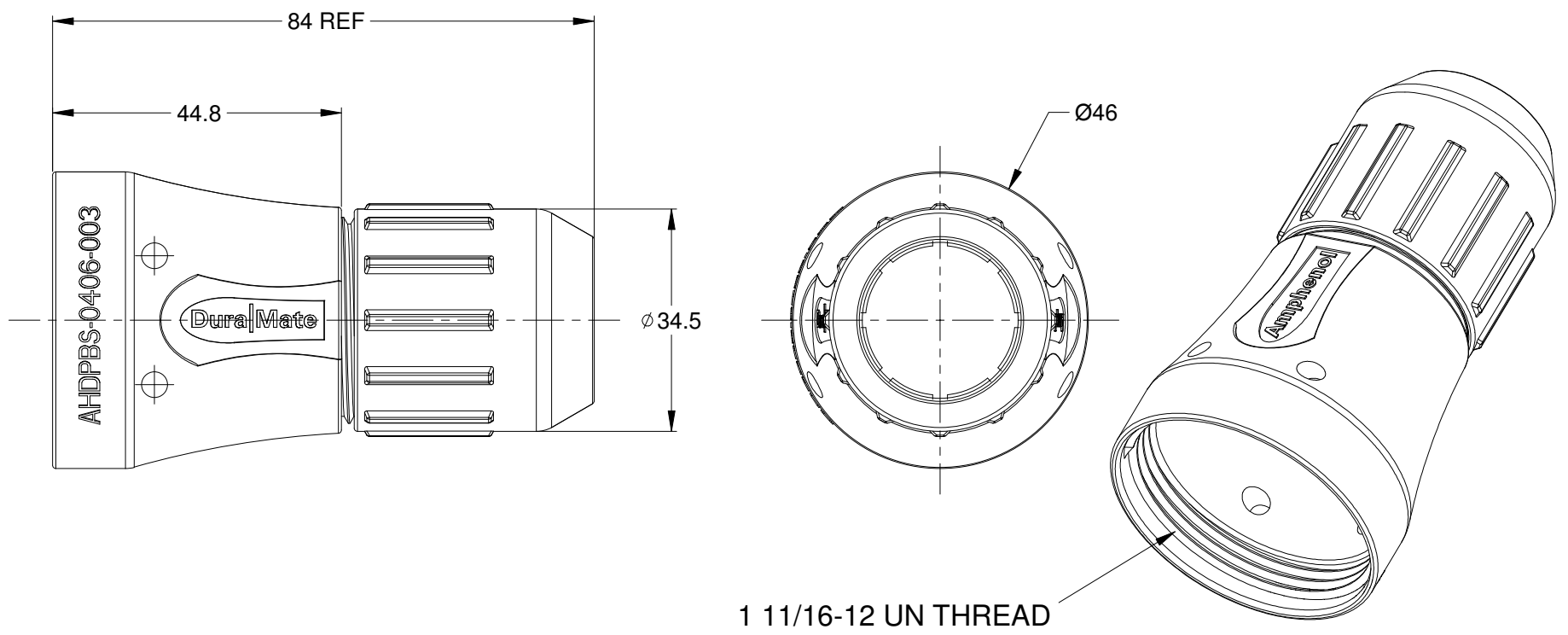


REVISIONS					
REV	ECO	DESCRIPTION	DATE	BY	APPR
A1		RELEASE NEW PRODUCT	09MAR17	JONY	TOMMY



NOTES: UNLESS OTHERWISE SPECIFIED

1. MATERIAL: THERMOPLASTIC
2. COLORS: BLACK
3. RoHS COMPLIANT
4. USE WITH AHDP SERIES WTA MODIFICATION
5. CABLE SIZE: $\phi 19.5 \sim \phi 24.1$
6. ALL DIMENSIONS ARE FOR REFERENCE USE ONLY.

AHDPBS-0406-003		PART NUMBER		DESCRIPTION		ITEM
QUANTITY		MATERIALS LIST				
UNLESS OTHERWISE SPECIFIED 1) All dimensions are in metric(mm). 2) Tolerances are as follows: 1 PL DEC ± 0.30 2 PL DEC ± 0.15 3 PL DEC ± 0.08 Fractions $\pm 1/64$ Angles $\pm 1^\circ$ 3) Note reference = $\triangle X$		SIGNATURES		DATE		<h1>Amphenol</h1> <p>Sine Systems - www.amphenol-sine.com 44724 Morley Drive Clinton Township, MI 48036</p> <p>BACKSHELL, AHDP SERIES, SIZE 24,WTA</p>
MATERIAL SPECIFICATIONS:		DRAWN: Jony		09MAR17		
PROCESS SPECIFICATIONS:		CHECKED: Orion		09MAR17		
NEXT ASSY:		ENGINEER:				
		APPROVAL: Tommy		09MAR17		
		CUSTOMER:				
		THIS DRAWING IS SUPPLIED FOR INFORMATION ONLY. DESIGN FEATURES, SPECIFICATIONS AND PERFORMANCE DATA SHOWN HEREON ARE THE PROPERTY OF THE AMPHENOL CORPORATION. NO RIGHTS OF REPRODUCTION ARE IMPLIED. ALL DIMENSIONS ARE SUBJECT TO NORMAL MANUFACTURING VARIATIONS.		SIZE		REVISION
		SCALE: NONE		A C-		A1
		DWG NO: AHDPBS-0406-003		SHEET 1		OF 1

单击下面可查看定价，库存，交付和生命周期等信息

[>>Amphenol\(安费诺\)](#)