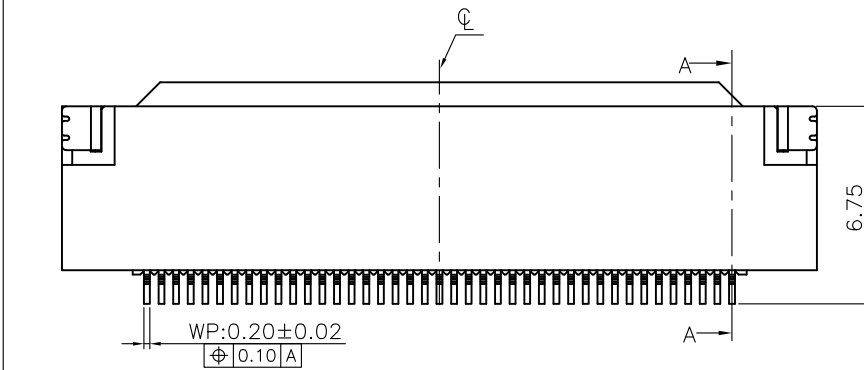
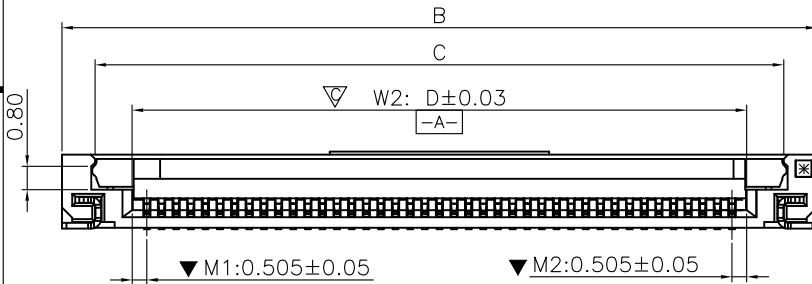
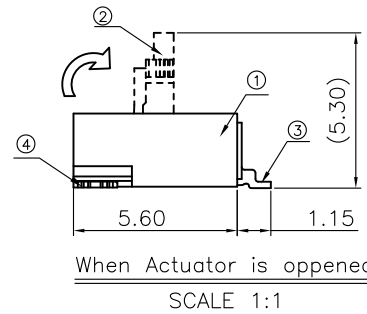
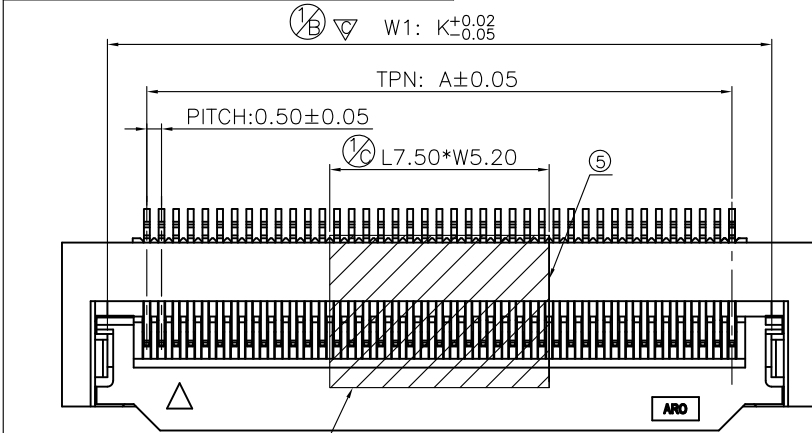


This document is the property of Amphenol Aorora Corporation and is delivered on the express condition that it is not to be disclosed, reproduced or used, in whole or in part, for manufacture or sale by anyone other than Amphenol Aorora Corporation without its prior consent, & that no right is granted to disclose or to use any information in this document.



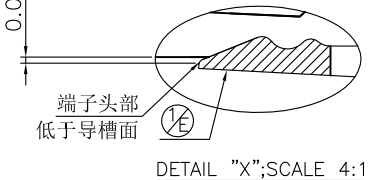
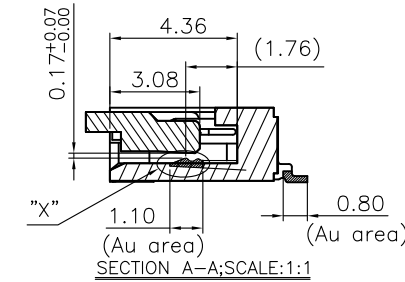
REV.	ECR/ECN No.	DESCRIPTION	DRAWN/DATE	CHECKED/DATE	APPROVED/DATE
E	/	改善皮线保持力, 端子头部形状变更	May 2016-04-13	Rain 2016-04-13	Hongkui.Liu 2016-04-13
F	/	客户要求料号升级	May 2016-05-13	Rain 2016-05-13	Hongkui.Liu 2016-05-13
G	/	新增规格PIN数	May 2017-03-27	Rain 2017-03-27	Hongkui.Liu 2017-03-27

**SPECIFICATION**

- CONTACT RESISTANCE : 30mΩ MAX.;
- DIELECTRIC WITHSTANDING VOLTAGE; 500V AC R.M.S. FOR 1 MINUTE;
- INSULATION RESISTANCE : 500MΩ MIN;
- "▽" IS IMPORTANT DIMENSION;
- "▽" NOTATION FOR CPK AND X-R TEST SIZE
- ALL MATERIAL MUST BE COMPLY WITH SS-00259 OR RoHS.
- PART NO.:

F31L-1\*7\*1-110\*\*(WITH MYLAR)  
F31L-1\*7\*1-110\*\*-E\*20(升级料号) 1:WITH MYLAR 2:WITHOUT MYLAR

1A:LCP Natural  
1B:LCP Black  
NO. OF POSITIONS  
7H:PHOSPHOR BRONZE  
0.05um MIN Au(Au Area)  
7A:PHOSPHOR BRONZE  
MATTER TIN

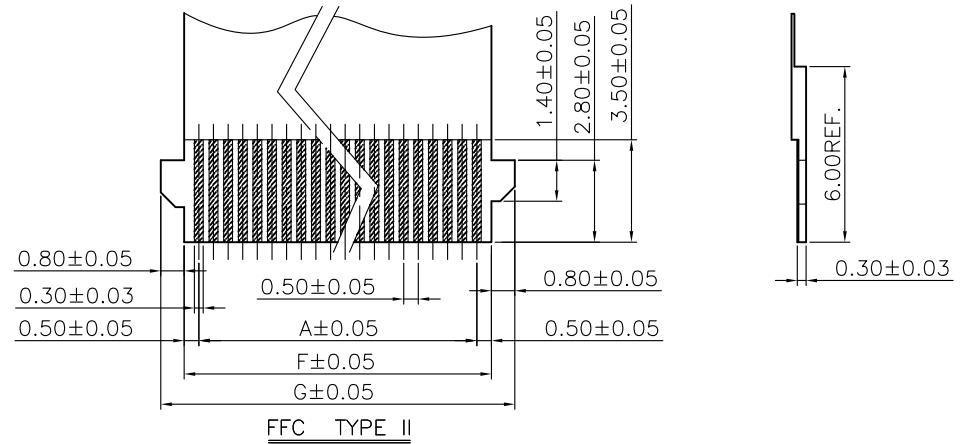
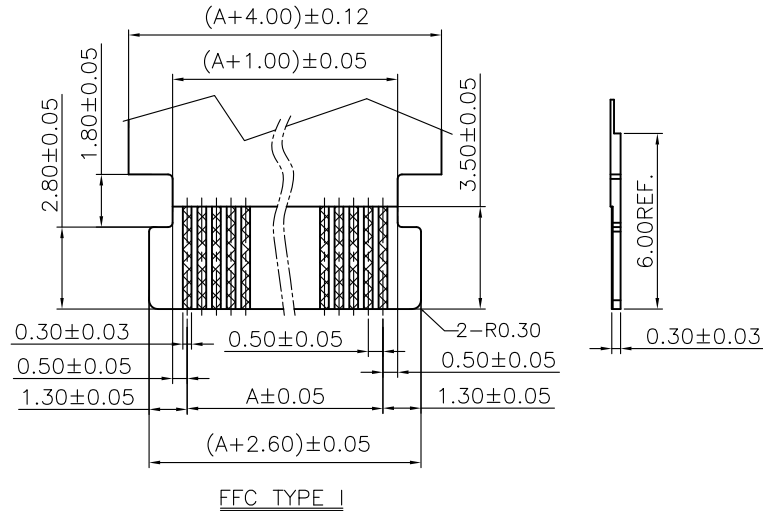


NO.	COMPONENTS	MATERIALS	FINISH/COLOR	SPECIFICATION	QTY.
1	HOUSING	Liquid crystal polymer	Natural or Black(UL94V-0);		1
2	ACTUATOR	Polyamide 9T	black(UL94V-0);		1
3	CONTACT	Phosphor Bronze T=0.20mm	UNDER PLATING:1~3um Ni SURFACE SELECT PLATING:SEE PART NO.		N
4	ANCHOR-PLATE	Brass T=0.20mm	2~4um Tin PLATING 1~3um Ni UNDERPLATING		2
5	MYLAR	T=0.10mm THERMOSTABLE	YELLOW		1

UNLESS OTHERWISE SPECIFIED TOLERANCES		ANGLE OF PROJECTION		 Amphenol Aorora Technology (Huizhou) Co.,Ltd
X.	±0.50	X. *	± 1°	
XX	±0.25	XX *	± 0.5°	
XXX	±0.15	XXX *	± 0.5°	
X.XX	±0.10	X.XX *	± 1°	
LINEAR DIMS		ANGLES DIMS		DOC TYPE: Customer Drw
P/N: F31L-1*7*1-110** F31L-1*7*1-110**-E*20		DRAWN DATE	May 2017-03-27	TITLE: Assembly Drawing For 0.5mm pitch Front side filp, with lock,H2.55mm(41~69PIN)
MATERIAL		DESIGN DATE	May 2017-03-27	
FINISHED		CHECKED DATE	Rain 2017-03-27	
SEE NOTES		APPROVED DATE	Hongkui.Liu 2017-03-27	SIZE: A4 DWG NO. A-S0083 REV. G
SCALE: 1:1		UNIT: mm		SHEET 1 OF 2

This document is the property of Amphenol Aorora Corporation and is delivered on the express condition that it is not to be disclosed, reproduced or used, in whole or in part, for manufacture or sale by anyone other than Amphenol Aorora Corporation without its prior consent, & that no right is granted to disclose or to use any information in this document.

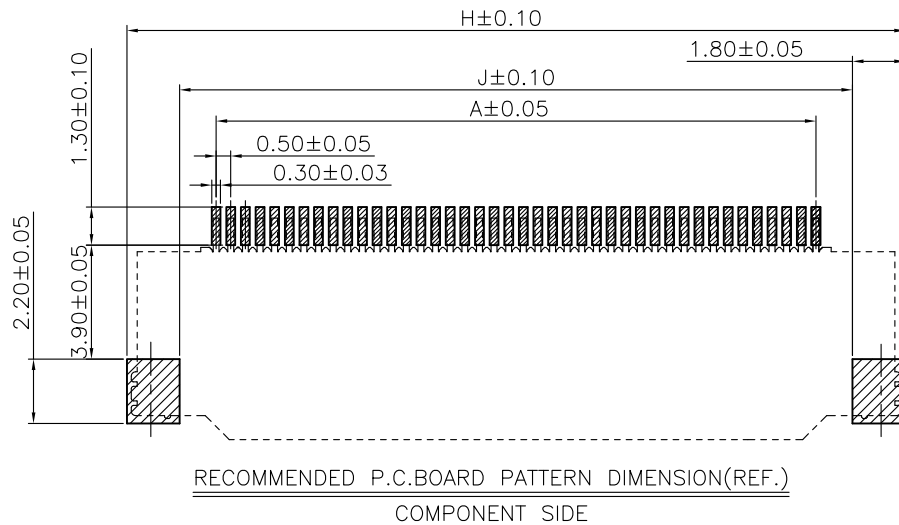
1. FFC PATTERN DIMENSION



DIMENSION LIST:

NO. OF POS	A	B	C	D	F	G	H	J	K	NO. OF POS	A	B	C	D	F	G	H	J	K
41	20.0	25.8	23.54	21.01	21.0	22.6	26.1	22.5	22.72	56	27.5	33.3	31.04	28.51	28.5	30.1	33.6	30.0	30.22
42	20.5	26.3	24.04	21.51	21.5	23.1	26.6	23.0	23.22	57	28.0	33.8	31.54	29.01	29.0	30.6	34.1	30.5	30.72
43	21.0	26.8	24.54	22.01	22.0	23.6	27.1	23.5	23.72	58	28.5	34.3	32.04	29.51	29.5	31.1	34.6	31.0	31.22
44	21.5	27.3	25.04	22.51	22.5	24.1	27.6	24.0	24.22	59	29.0	34.8	32.54	30.01	30.0	31.6	35.1	31.5	31.72
45	22.0	27.8	25.54	23.01	23.0	24.6	28.1	24.5	24.72	60	29.5	35.3	33.04	30.51	30.5	32.1	35.6	32.0	32.22
46	22.5	28.3	26.04	23.51	23.5	25.1	28.6	25.0	25.22	61	30.0	35.8	33.54	31.01	31.0	32.6	36.1	32.5	32.72
47	23.0	28.8	26.54	24.01	24.0	25.6	29.1	25.5	25.72	62	30.5	36.3	34.04	31.51	31.5	33.1	36.6	33.0	33.22
48	23.5	29.3	27.04	24.51	24.5	26.1	29.6	26.0	26.22	63	31.0	36.8	34.54	32.01	32.0	33.6	37.1	33.5	33.72
49	24.0	29.8	27.54	25.01	25.0	26.6	30.1	26.5	26.72	64	31.5	37.3	35.04	32.51	32.5	34.1	37.6	34.0	34.22
50	24.5	30.3	28.04	25.51	25.5	27.1	30.6	27.0	27.22	65	32.0	37.8	35.54	33.01	33.0	34.6	38.1	34.5	34.72
51	25.0	30.8	28.54	26.01	26.0	27.6	31.1	27.5	27.72	66	32.5	38.3	36.04	33.51	33.5	35.1	38.6	35.0	35.22
52	25.5	31.3	29.04	26.51	26.5	28.1	31.6	28.0	28.22	67	33.0	38.8	36.54	34.01	34.0	35.6	39.1	35.5	35.72
53	26.0	31.8	29.54	27.01	27.0	28.6	32.1	28.5	28.72	68	33.5	39.3	37.04	34.51	34.5	36.1	39.6	36.0	36.22
54	26.5	32.3	30.04	27.51	27.5	29.1	32.6	29.0	29.22	69	34.0	39.8	37.54	35.01	35.0	36.6	40.1	36.5	36.72
55	27.0	32.8	30.54	28.01	28.0	29.6	33.1	29.5	29.72										

2. P.C.B LAYOUT, TOL: ±0.05



UNLESS OTHERWISE SPECIFIED TOLERANCES		ANGLE OF PROJECTION		 Amphenol Aorora Technology (Huizhou) Co.,Ltd
X.	±0.50	X. °	± 1°	
X.X	±0.25	X.X °	± 0.5°	DOC TYP Customer Drw DRAWN DATE May 2017-03-27 DESIGN DATE May 2017-03-27 CHECKED DATE Rain 2017-03-27 APPROVED DATE Hongkui.Liu 2017-03-27
X.XX	±0.15	X.XX °	± 0.5°	
X.XXX	±0.10	X.XXX °	± 0.5°	TITLE: Assembly Drawing For 0.5mm pitch Front side filp, with lock,H2.55mm(41~69PIN) SIZE DWG NO. A4 A-S0083 REV. G
LINEAR DIMS	ANGLES DIMS	SCALE 1:1		UNIT : mm SHEET 2 OF 2
P/N: F31L-1*7*1-110** F31L-1*7*1-110**-E*20	MATERIAL SEE NOTES	FINISHED SEE NOTES		

单击下面可查看定价，库存，交付和生命周期等信息

[>>Amphenol\(安费诺\)](#)