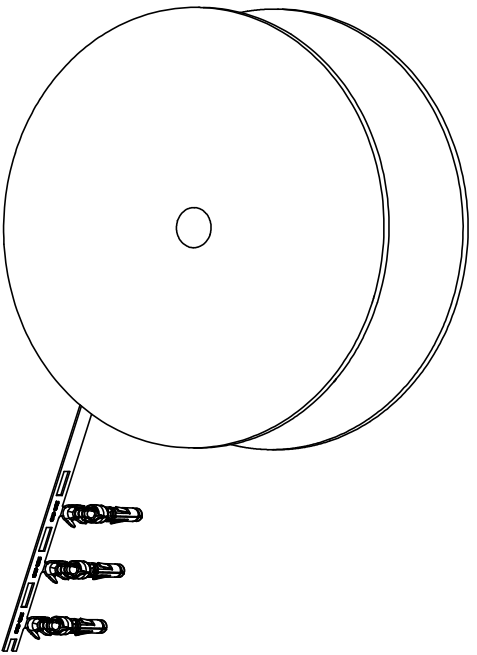


REVISIONS				
REV	ECO	DESCRIPTION	DATE	BY APPR
A1	-	RELEASED DRAWING	Nov-9-17	Rookie Tommy
A2	-	ADD THE GS PART NUMBER	Jan-28-19	Blink Tommy
A3	-	CHANGE HAND CRIMPER	Nov-8-19	Flan Tommy

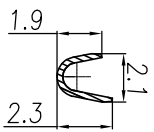
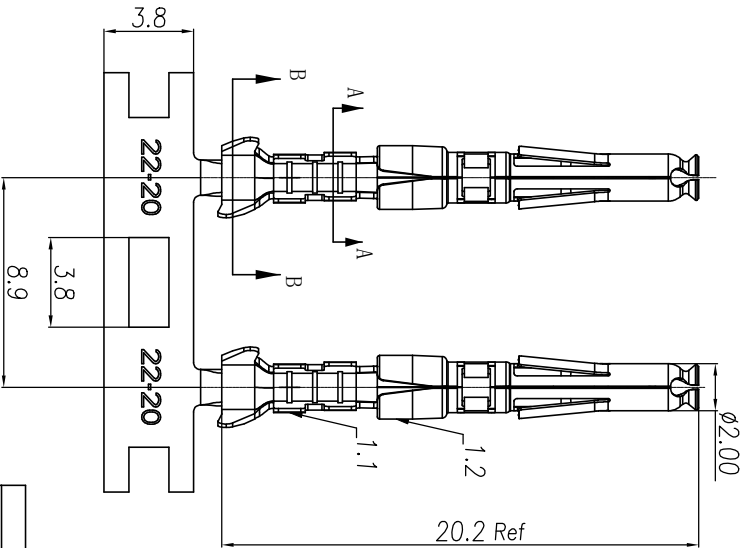


CONTACT ORIENTATION ON ROLL

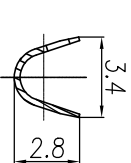
NOTES: (UNLESS OTHERWISE SPECIFIED)

- MATERIAL:
 - CONTACT BODY: COPPER ALLOY.
 - OUTER SPRING: STAINLESS STEEL.
- SPECIFICATIONS:
 - CURRENT RATING: 5A MAX.
 - TERMINATION TYPE: CRIMPING.
 - WIRE RANGE: 22~20AWG.
 - WIRE INSULATION DIA(MAX): $\varnothing 2.6\text{mm}$.
- RHS COMPLIANT.
- ALL DIMENSIONS ARE FOR REFERENCE USE ONLY.
- AVAILABLE TOOLS:
 - HAND CRIMPER: MFX-3958. ^(A3)
 - CRIMP APPLICATOR: MFX-3957.
 - EXTRACTION TOOL: QXRT20.

P/N	CONTACT PLATING(MATING AREA)
SS20W2T	TIN PLATING OVER NICKEL.
SS20W2N	NICKEL PLATING OVER COPPERIZE.
SS20W2F	GOLD FLASH PLATING OVER NICKEL.
SS20W2G5	5 μ " GOLD PLATING OVER NICKEL.
SS20W2G10	10 μ " GOLD PLATING OVER NICKEL.
SS20W2G15	15 μ " GOLD PLATING OVER NICKEL.
SS20W2G30	30 μ " GOLD PLATING OVER NICKEL.



SECTION A-A



SECTION B-B

QUANTITY	PART NUMBER	DESCRIPTION	ITEM

MATERIALS LIST

UNLESS OTHERWISE SPECIFIED			
1) All dimensions are in millimeters.	DRAWN: Flan	DATE: Nov-8-19	<p>Amphenol</p> <p>Sine Systems - www.amphenol-sine.com</p> <p>44724 Montley Drive</p> <p>Clinton Township, MI 48038</p>
2) Tolerances are as follows:	CHECKED: Flan	DATE: Nov-8-19	
1 Pt. DEC 2019	APPROVED: Tommy	DATE: Nov-8-19	
3 Pt. DEC 2018	APPROVE: Tommy	DATE: Nov-8-19	
3) Note reference =	CUSTOMER: Tommy	DATE: Nov-8-19	

PROCESS SPECIFICATIONS	MATERIAL SPECIFICATIONS	SCALE	TYPE	SIZE	REVISION
		NONE	B	C-	SS20W2XX

ECO-MATE SOCKET CONTACT, STAMPED, 20-22AWG, SIZE 20	ECO-MATE SOCKET CONTACT, STAMPED, 20-22AWG, SIZE 20
1	1

单击下面可查看定价，库存，交付和生命周期等信息

[>>Amphenol\(安费诺\)](#)