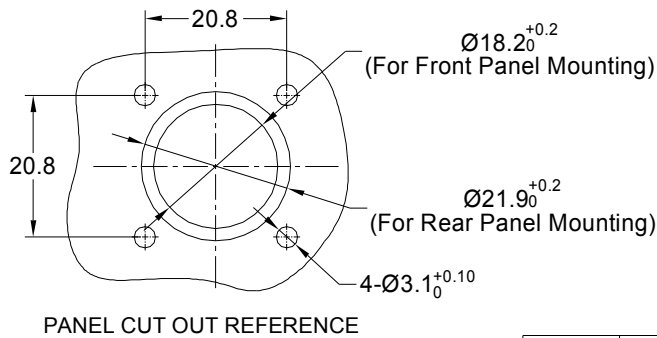
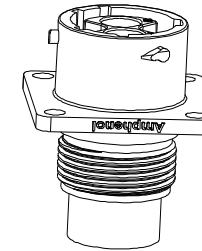
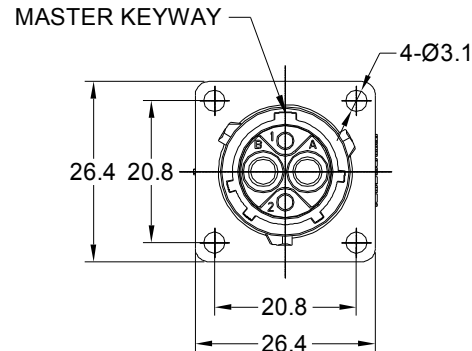
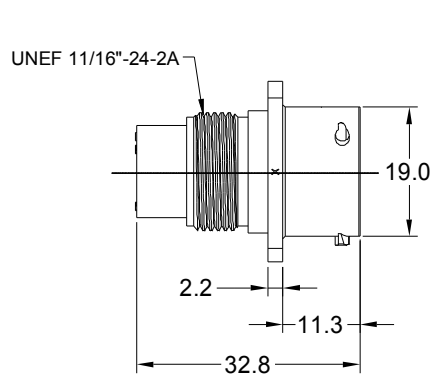


REVISIONS					
REV	ECO	DESCRIPTION	DATE	BY	APPR
A1	-	FIRST RELEASED	Jul-01-2017	Nick	Tommy
A2	-	UPDATE DRAWING	Mar-19-2018	White	Tommy
A3	-	UPDATE DRAWING	Apr-10-2018	White	Tommy
A4	-	UPDATE SPECIFICATIONS	Mar-16-2020	Flan	Tommy
A5	-	UPDATE DESCRIPTION AND VOLTAGE	SEP-23-21	BLINK	TOMMY



NOTES : (UNLESS OTHERWISE SPECIFIED)

- MATERIAL :
SHELL : THERMOPLASTIC , UL94 V-0.
INSERT : THERMOPLASTIC , UL94 V-0.
SEAL GASKET : NBR OR SILICONE RUBBER.
- SPECIFICATIONS :
2.1, RATED CURRENT : 2.5mm CONTACT: 23A (MAX).
20# CONTACT: 5A (MAX).
2.2, RATED VOLTAGE : 500V (AC/DC).
2.3, OPERATING TEMPERATURE : SEE TABLE.
2.4, DIELECTRIC WITHSTANDING VOLTAGE : LESS THAN
2 MILLIAMPS CURRENT LEAKAGE@2000 VOLTS AC.
2.5, INSULATION RESISTANCE : 5000 MEGOHMS MIN.
2.6, IP-CLASS : IP67 AND IP69K IN THE MATED CONDITION,
PANEL EXTERNAL.
- MATING CYCLES DURABILITY : 500 CYCLES MIN.
- RoHS COMPLIANT.
- SUITABLE CONTACTS : 2.5mm CONTACT.
20# CONTACT.
- ALL DIMENSIONS ARE FOR REFERENCE USE ONLY.

KEY	PART NUMBER	
		-40°C ~ 105°C
N	RTS012N2P	RTS012N2P03

QUANTITY	PART NUMBER	DESCRIPTION	ITEM
MATERIALS LIST			
UNLESS OTHERWISE SPECIFIED 1) All dimensions are in metric(mm). 2) Tolerances are as follows: 1 PL DEC ±0.30 Fractions ±1/64 2 PL DEC ±0.15 Angles ±1° 3 PL DEC ±0.08 3) Note reference =		SIGNATURES DATE DRAWN: BLINK SEP-23-2021 CHECKED: ORION SEP-24-2021 ENGINEER: APPROVAL: TOMMY SEP-27-2021 CUSTOMER:	 Sine Systems - www.amphenol-sine.com 44724 Morley Drive Clinton Township, MI 48036
MATERIAL SPECIFICATIONS: PROCESS SPECIFICATIONS: NEXT ASSY:		THIS DRAWING IS SUPPLIED FOR INFORMATION ONLY. DESIGN FEATURES, SPECIFICATIONS AND PERFORMANCE DATA SHOWN HEREON ARE THE PROPERTY OF THE AMPHENOL CORPORATION. NO RIGHTS OF REPRODUCTION ARE IMPLIED. ALL DIMENSIONS ARE SUBJECT TO NORMAL MANUFACTURING VARIATIONS.	EcoMate Aquarius, RECEPTACLE, FLANGE, SIZE 12, 2+2 POS, PIN SIZE TYPE DWG NO: RTS012*2Pxx REVISION A5 SCALE NONE SHEET 1 OF 1

TITLE: EcoMate Aquarius, RECEPTACLE FLANGE, SIZE 12, 2+2 POS, PIN
 DWG NO: RTS012*2Pxx
 REV: A5
 SH: 1
 OF: 1

单击下面可查看定价，库存，交付和生命周期等信息

[>>Amphenol\(安费诺\)](#)