

Amphenol PCD SZ
ORIGINAL
PDF Format
R&D

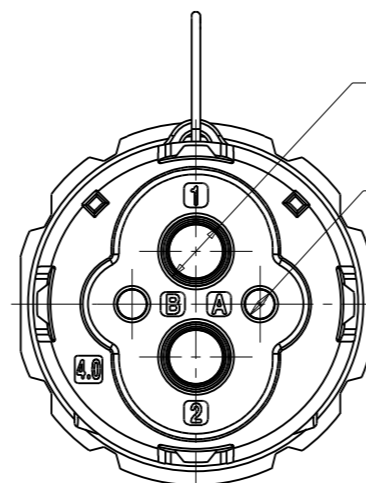
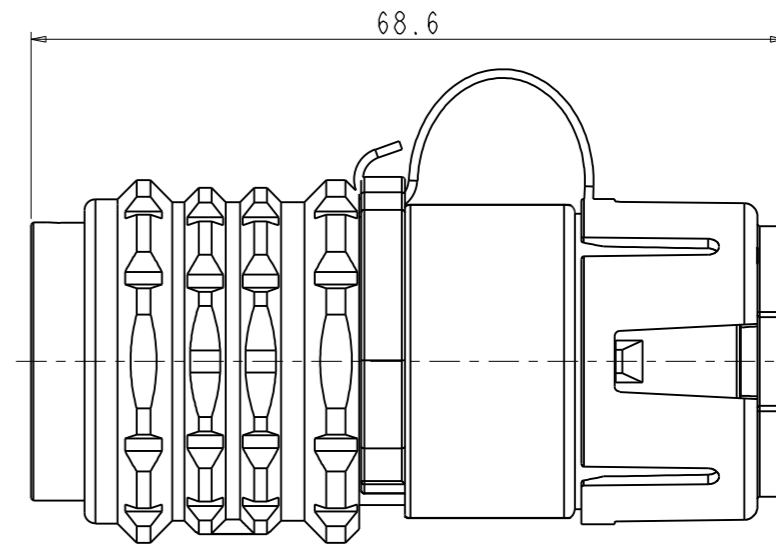
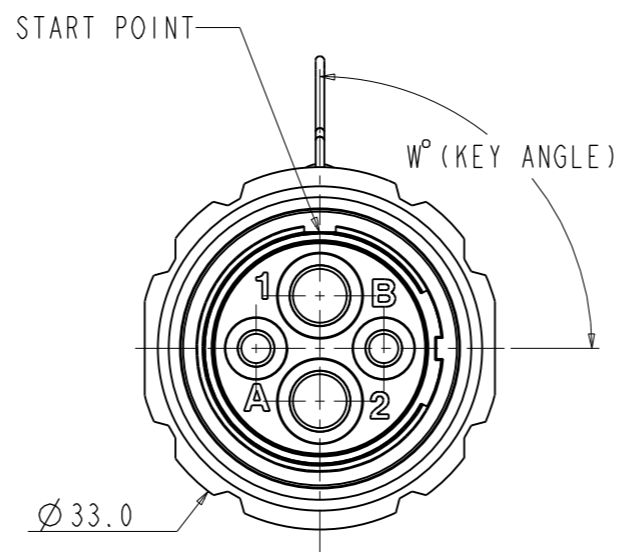
NOTES:

- PRODUCT DO NOT INCLUDE CONTACT, NEED TO BUY SEPARATELY.
POWER PIN: EX30M4 FOR 2.5mm² & 4mm² CABLE
EX30M6 FOR 6mm² CABLE
SIGNAL PIN: EX16M1 FOR 0.5~0.75mm² CABLE \triangle
- 1,2 HOLES FOR $\varnothing 3.0$ POWER PIN
A, B HOLES FOR $\varnothing 1.6$ HVIL PIN
- SCOPE OF CABLE OUTSIDE DIAMETER OPTION:
2.5mm² OD=4.7~5.3mm;
4.0mm² OD=5.1~5.7mm;
6.0mm² OD=6.1~6.7mm;
INTERLOCK CABLE:
0.5~0.75mm² CABLE OD=2.1~2.7mm \triangle

4. TECHNICAL DATA TABLE

TECHNICAL DATA		
CURRENT RATING (6 mm ² SHIELDING CABLE)	40A @ AMBIENT 70°C	+
CURRENT RATING (4 mm ² SHIELDING CABLE)	32A @ AMBIENT 70°C	+
CURRENT RATING (2.5mm ² SHIELDING CABLE)	23A @ AMBIENT 70°C	+
CURRENT RATING (0.5~0.75mm ² CABLE) \triangle	5A @ AMBIENT 70°C	+
RATING VOLTAGE (OVERVOLTAGE CATEGORY II POLLUTION DEGREE 2)	1000V DC	+
OPERATING TEMPERATURE	-40~125°C	
DIELECTRIC WITHSTANDING VOLTAGE	POWER CONTACT 3000V AC(RMS)	+
	HVIL CONTACT 660V AC(RMS)	+
INSULATION RESISTANCE	200M Ω MIN.@25°C	+
DURABILITY	50 CYCLES	\odot
SHIELDING	YES	
WATERPROOF (MATED CONDITION)	IP 68 & IPX9K	+
PROTECTION LEVEL	IP2XB	+
AMBIENT TEMPERATURE	-40~70°C	
R _o HS	YES	+

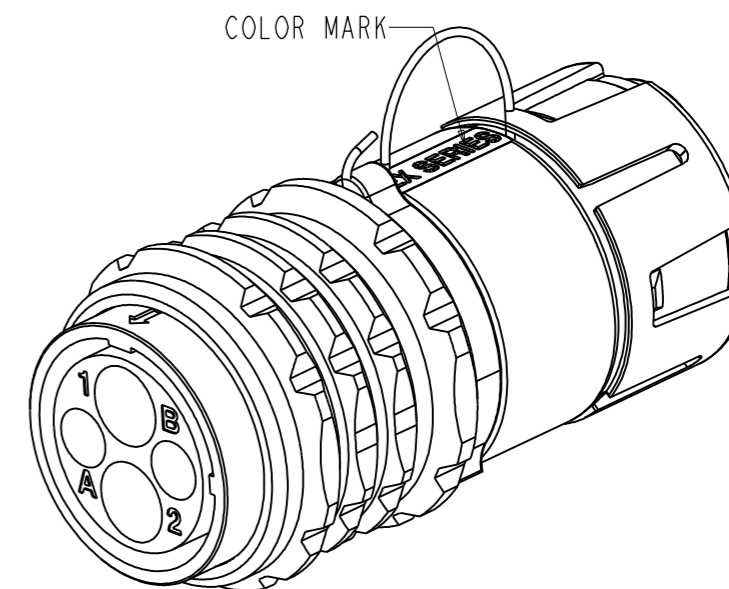
"+" CRITICAL CHARACTERISTIC
" \odot " IMPORTANT CHARACTERISTIC



BACK VIEW

2-SCOPE OF CABLE SIZE
SEE NOTES 3

2-INTERLOCK CABLE
SEE NOTES 3



DIMENSIONS	TOLERANCES	PROJECTION	TITLE		
ANSI Y14.5M UNITS: MM Pro/E FILE	.X ±0.5 .XX ±0.05 ANGLES ±2°		Amphenol PCD Shenzhen		
ORIGINAL	THIS DOCUMENT CONTAINS PROPRIETARY INFORMATION WHICH IS THE CONFIDENTIAL PROPERTY OF Amphenol PCD Shenzhen Co. Ltd Amphenol PCD Shenzhen Co. Ltd RESERVES THE RIGHT TO CLARIFY THIS DRAWING	CHKD	SIZE	DWG NO.	REV
		APPD	A3	C-EX40206XXXI	D
		CODE: 58982	SCALE: 3:2	SHEET 1 OF 2	

C-EX40206XXXI

C-EX40206XXXI

5. HOW TO ORDER EX402 PLUG: EX402 06 X X X I

KEY OF CODING OPTION:

KEY CODE	COLOR & KEY ANGLE(W)	TABLE 1 2# PART
A	RED & 45°	EX40206AI
B	BLACK & 90°	EX40206BI
C	YELLOW & 180°	EX40206CI
D	GREEN & 270°	EX40206DI
E	BLUE & 315°	EX40206EI



CABLE SHIELDED WIRE:
I: INDIVIDUAL LAYER MASK

CABLE SIZE OPTION:

CODE	DESCRIPTION	TABLE 2 3# PART	TABLE 3 4# PART	TABLE 4 5# PART	TABLE 5 6# PART	TABLE 6 5# PART
2	2.5mm ² CABLE	C4310036501	C4200036651	C4270036621	C4220035621	C4270036622
4	4.0mm ² CABLE	C4310036502	C4200036652	C4270036625	C4220035622	C4270036626
6	6.0mm ² CABLE	C4310036502	P03BM00100	C4270036625	C4220035623	P01BR00282

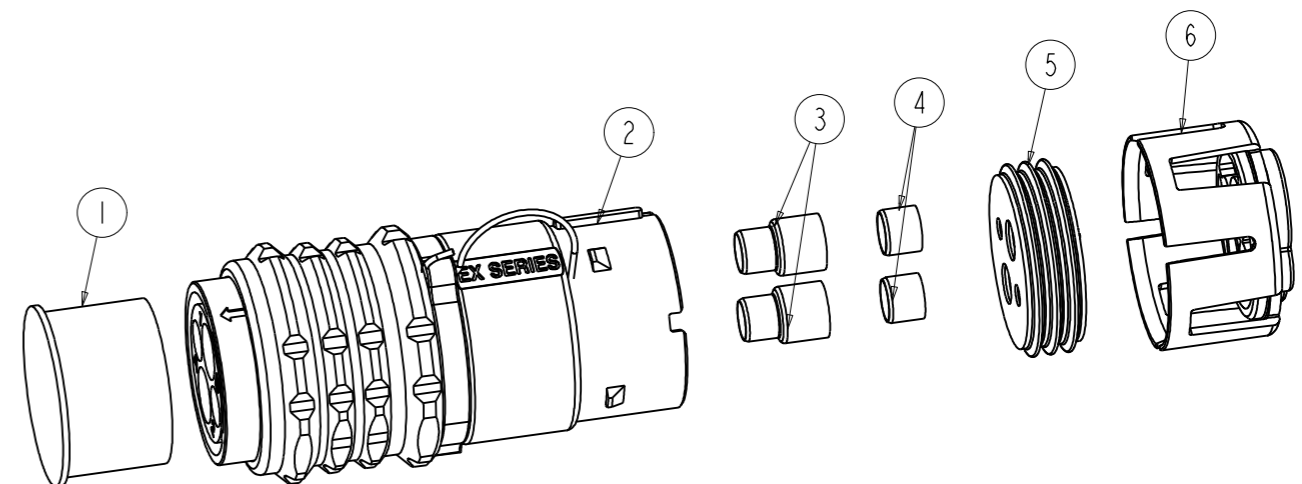
INTERLOCK OPTION:

CODE	DESCRIPTION
0	WITHOUT HVIL (NOT INCLUDE HVIL CONTACT)
1	WITH SHORTED HVIL (INSTALLED ALREADY)
2	WITH HVIL, THE PIN EXTERNAL. (HVIL CONTACT NEED TO BUY SEPARATELY)

6. ASSEMBLY AND DETAIL EX SERIES BOM LIST SHOW
DETAIL EX SERIES BOM LIST

EX40206 X 0 X I OR EX40206 X 1 X I	6	SEE TABLE 5	1	REAR COVER
	5	SEE TABLE 4	1	SEAL
	4	SEE TABLE 3	2	INNER FERRULE
	3	SEE TABLE 2	2	OUTER FERRULE
	2	SEE TABLE 1	1	MAIN BODY
	1	C422005984	1	DUST COVER
ASSEMBLY NO.	ITEM	P/N	Q'TY	DESCRIPTION

EX40206 X 2 X I	6	SEE TABLE 5	1	REAR COVER
	5	SEE TABLE 6	1	SEAL
	4	SEE TABLE 3	2	INNER FERRULE
	3	SEE TABLE 2	2	OUTER FERRULE
	2	SEE TABLE 1	1	MAIN BODY
	1	C422005984	1	DUST COVER
ASSEMBLY NO.	ITEM	P/N	Q'TY	DESCRIPTION



C-EX40206XXXI

C-EX40206XXXI

SIZE	DWG NO.	REV
A3	C-EX40206XXXI	D
CODE: 58982	SCALE: 1:1	SHEET 2 OF 2

单击下面可查看定价，库存，交付和生命周期等信息

[>>Amphenol\(安费诺\)](#)