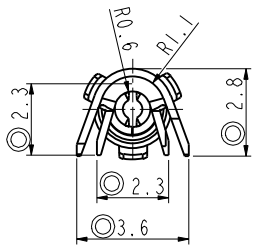
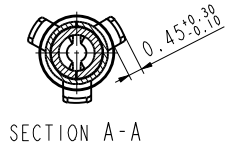
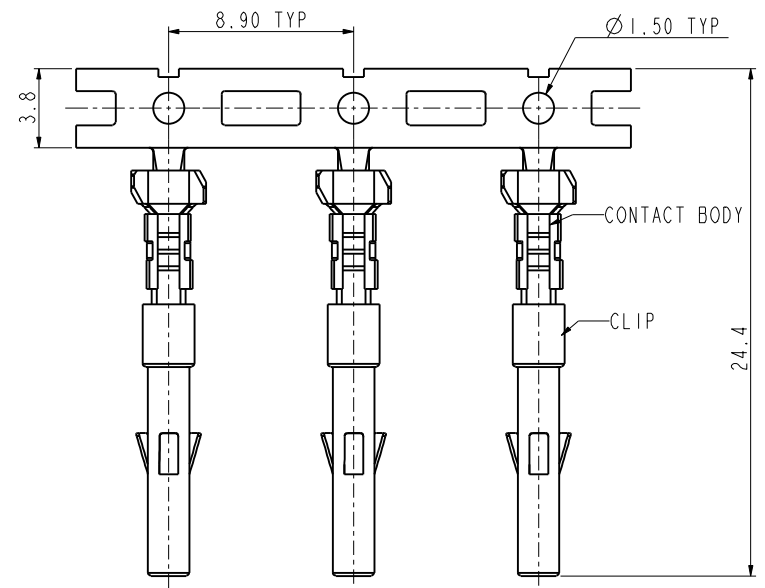


REV	ECN	DESCRIPTION	DATE	MODIFIED
A	C3003	RELEASE		LUIK.PENG

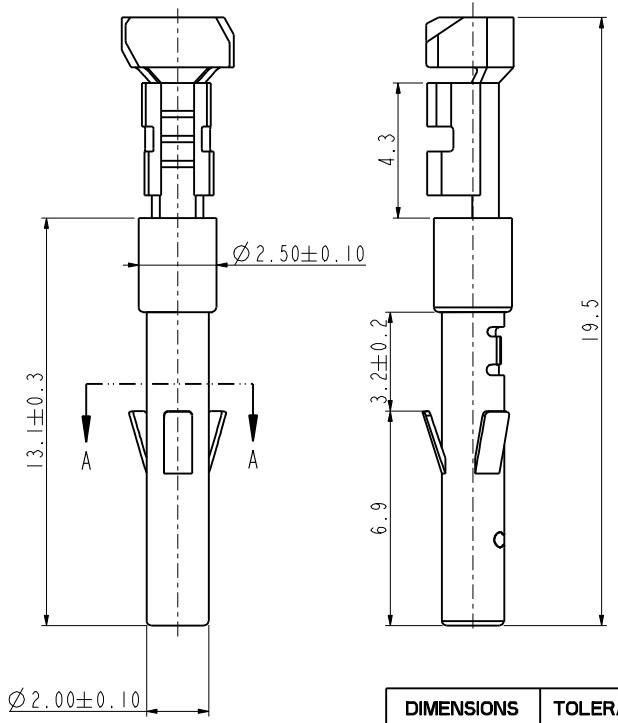
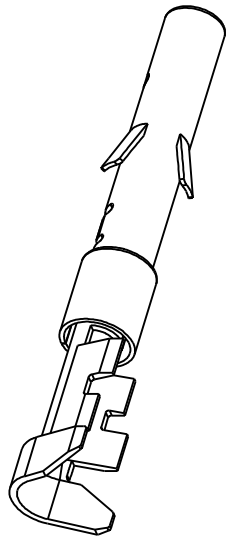
Amphenol PCD SZ
ORIGINAL
PDF Format
R&D



安费诺精密连接器(深圳)有限公司
Amphenol PCD Shenzhen
受控文件
2018年10月11日



SCALE 4:1



✦: IS CRITICAL CHARACTERISTIC SYMBOL, ◎: IS IMPORTANT CHARACTERISTIC SYMBOL.

- NOTES:
- ✦ 1. MATERIAL: CONTACT BODY: COPPER ALLOY; T=0.25mm, CLIP: STAINLESS STEEL, T=0.15mm.
 - 2. CONTACT BODY PLATING: TIN PLATING.
 - ◎ 3. WIRE RANGE: 22~18AWG(0.3~0.75 SQ MM), WIRE INSULATION OD RANGE: FROM 1.35MM TO 2.5MM.
 - ✦ 4. ROHS COMPLIANCE.
 - 5. REEL PACKING, 3000PCS PER REEL.

DIMENSIONS	TOLERANCES	PROJECTION	TITLE		
ANSI Y14.5M UNITS: MM Pro/E FILE	.X ±0.5 .XX ±0.05 ANGLES ±3.0°		FEMALE CONTACT ϕ 1.0 FOR 0.3~0.75MM ²		
ORIGINAL	THIS DOCUMENT CONTAINS PROPRIETARY INFORMATION WHICH IS THE CONFIDENTIAL PROPERTY OF AMPHENOL PCD SHENZHEN	 	Amphenol Pcd Shenzhen		REV
			ENGR LUIK.PENG Mar-28-18	SIZE	A
			CHKD APPD	DWG NO. C-LVRC20PC01S	SHEET
			CODE: 58982	SCALE: 6:1	

单击下面可查看定价，库存，交付和生命周期等信息

[>>Amphenol\(安费诺\)](#)