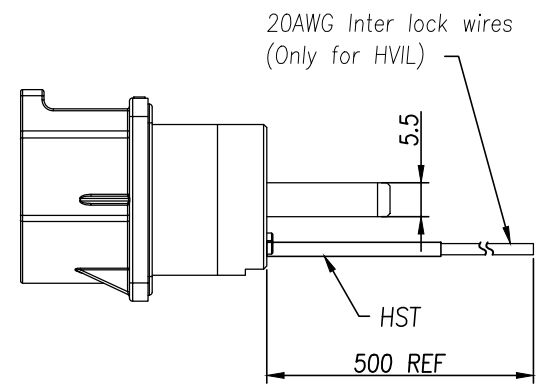
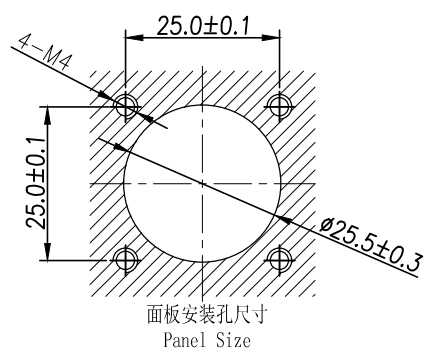
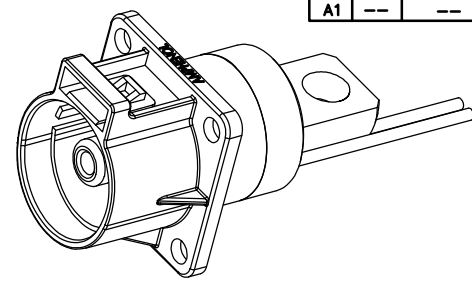
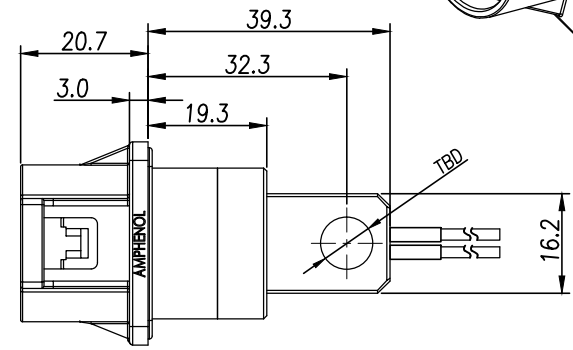
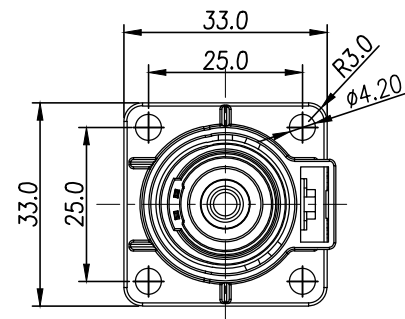


THIS DRAWING IS SUPPLIED FOR INFORMATION ONLY. DESIGN FEATURES, SPECIFICATIONS AND PERFORMANCE DATA SHOWN HEREON ARE THE PROPERTY OF THE AMPHENOL CORPORATION. NO RIGHTS OF REPRODUCTION ARE IMPLIED. ALL DIMENSIONS ARE SUBJECT TO NORMAL MANUFACTURING VARIATIONS.

Customer Drawing

REVISIONS						
REV	ZONE	ECO	DESCRIPTION	DATE	BY	APPR
A1	--	--	INITIAL RELEASE	07/14/15	RW	EC



Standard Part List (With HVIL)

P/N
PL00X-201-10M6
PL00Y-201-10M6
PL00U-201-10M6
PL00V-201-10M6
PL00W-201-10M6
PL00X-201-10M8
PL00Y-201-10M8
PL00U-201-10M8
PL00V-201-10M8
PL00W-201-10M8
PL00X-201-10H6
PL00Y-201-10H6
PL00U-201-10H6
PL00V-201-10H6
PL00W-201-10H6
PL00X-201-10H8
PL00Y-201-10H8
PL00U-201-10H8
PL00V-201-10H8
PL00W-201-10H8

Standard Part List (Without HVIL)

P/N
PL00X-200-10M6
PL00Y-200-10M6
PL00U-200-10M6
PL00V-200-10M6
PL00W-200-10M6
PL00X-200-10M8
PL00Y-200-10M8
PL00U-200-10M8
PL00V-200-10M8
PL00W-200-10M8
PL00X-200-10H6
PL00Y-200-10H6
PL00U-200-10H6
PL00V-200-10H6
PL00W-200-10H6
PL00X-200-10H8
PL00Y-200-10H8
PL00U-200-10H8
PL00V-200-10H8
PL00W-200-10H8

规格参数 (Spec.):

1. 工作温度 Operating temperature: -40° C~+125° C.
2. 额定电流 Current rating: 200 A.
3. 额定电压 Operating voltage: 1000 VDC.
4. 耐电压 Dielectric withstanding voltage: 5000 VDC.
5. 防护等级 Protection class: IP67 & IP2X.
6. 电磁屏蔽 Shielding.
7. 机械寿命 Mating cycle: 500 Min.
8. 带自动二次锁扣 Automatic secondary lock.
9. 带高压互锁 Electrical interlock (HVIL).
10. 法兰盘螺丝安装扭矩 Screw Assembly Torque on Flange : 1.6~9.4 Nm

订购信息 Ordering Information

PL00 X	- 20 0	- 10 D	10
键位及颜色 Key & Color	高压互锁 HVIL	孔种类 Hole Type	联接螺栓 Bolt Size
"X", 橙色 Orange	0, 不带互锁 No HVIL	M, 螺纹孔 Screw Hole	Customer Define
"Y", 黑色 Black	1, 带互锁 With HVIL	H, 腰孔 Slotted Hole	
"U", 黄色 Yellow			
"V", 绿色 Green			
"W", 红色 Red			

	Amphenol Technical Products International GZ					
	第三角投影 THIRD ANGLE PROJECTION	页面 SHEET	幅面 SIZE	版次 REV.	比例 SCALE	PART NAME: PwrLok 8mm IPOS Rept Lug
签名 SIGNATURE	日期 DATE	UNLESS OTHERWISE SPECIFIED			DWG NO: PL00-200-10	
制图 DRAWN	RW	1) All dimensions are in metric (mm).			CUST PART #: N/A	
审核 CHECKED	GX	2) Tolerances are as follows:				CUST REV. -
批准 APPROVAL	EC	0 PL DEC ±1.00 1 PL DEC ±0.50 2 PL DEC ±0.20				
		09/18/15	Angles ±1°			
		09/18/15				
		09/18/15				

单击下面可查看定价，库存，交付和生命周期等信息

[>>Amphenol\(安费诺\)](#)