



Copyright FCI

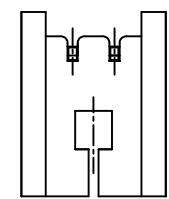
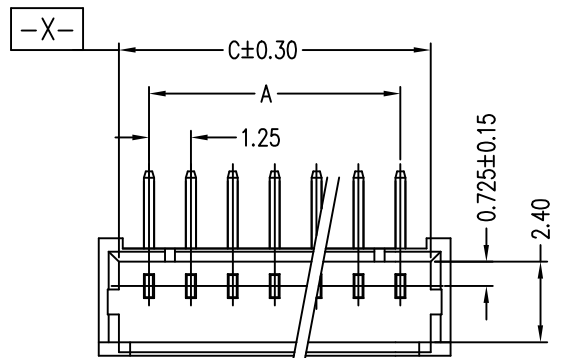
D

1

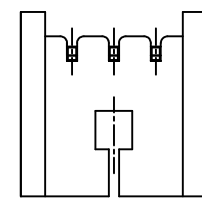
2

3

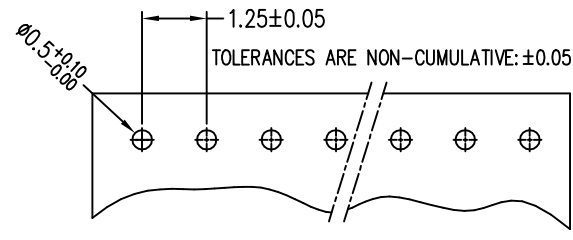
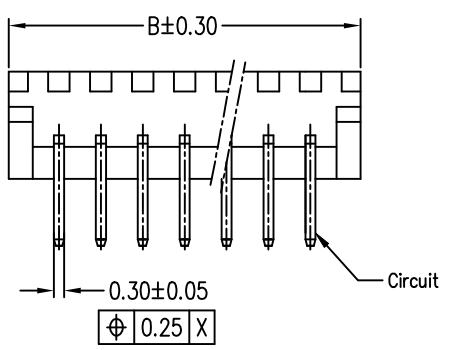
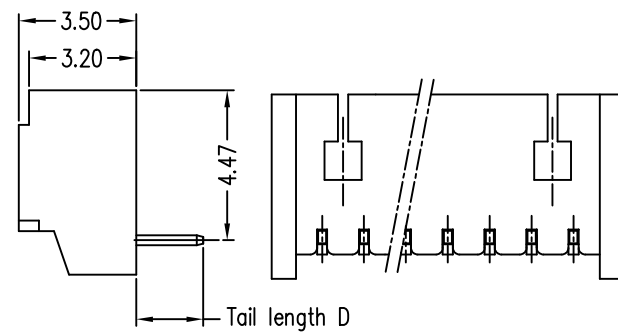
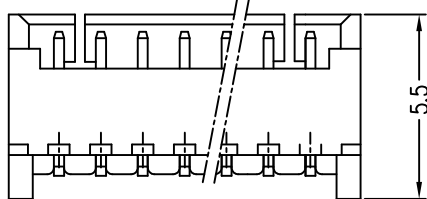
4



2 POS



3 POS



PC BOARD LAYOUT
(PCB THK=0.8)

NOTES:

- SPECIFICATIONS**
Current Rating: 1A AC,DC
Voltage Rating: 125V AC,DC
Temperature Range: -40°C ~ +105°C
Contact Resistance: 20mΩ Max.
Insulation Resistance: 100MΩ Min.
Withstanding Voltage: 500V AC/minute
- Material & finish:**
Housing: Natural Thermoplastic, UL94V-0
Contact and metal hold-down: Phosphor Bronze
Plating of contact: Matte Tin or gold plating over Nickel
- Crimping application hand tool P/N:** 10118656-1000
- Ordering Information & Dimensions:**

10114831- X X X XX X LF

Material: 1: LCP
Plating: 0: Matte Tin; 1: Gold Flash; 2: 15u" Gold IN CONTACT AREA; 3: 30u" Gold IN CONTACT AREA
LF: See note A
VOID-NORMAL; 1: SEE SHEET 2
pin code from 02-15(D=2.0mm); pin code from 32-45(D=2.3mm)
Packaging: 1: Tape & Reel

Part No.		Dimensions			
D=2.0mm	D=2.3mm	POS	A	B	C
10114831-xxx02LF	10114831-xxx32LF	2	1.25±0.10	4.25	3.05
10114831-xxx03LF	10114831-xxx33LF	3	2.50±0.10	5.50	4.30
10114831-xxx04LF	10114831-xxx34LF	4	3.75±0.10	6.75	5.55
10114831-xxx05LF	10114831-xxx35LF	5	5.00±0.10	8.00	6.80
10114831-xxx06LF	10114831-xxx36LF	6	6.25±0.15	9.25	8.05
10114831-xxx07LF	10114831-xxx37LF	7	7.50±0.15	10.50	9.30
10114831-xxx08LF	10114831-xxx38LF	8	8.75±0.15	11.75	10.55
10114831-xxx09LF	10114831-xxx39LF	9	10.00±0.15	13.00	11.80
10114831-xxx10LF	10114831-xxx40LF	10	11.25±0.20	14.25	13.05
10114831-xxx11LF	10114831-xxx41LF	11	12.50±0.20	15.50	14.30
10114831-xxx12LF	10114831-xxx42LF	12	13.75±0.20	16.75	15.55
10114831-xxx13LF	10114831-xxx43LF	13	15.00±0.20	18.00	16.80
10114831-xxx14LF	10114831-xxx44LF	14	16.25±0.20	19.25	18.05
10114831-xxx15LF	10114831-xxx45LF	15	17.50±0.20	20.50	19.30

Note A: The LF means RoHS compliance, the housing will withstand exposure to peak temperature 260 degree C for 5 sec in the IR re-flow process.

www.fciconnect.com			surface 6.4 / tolerance std ISO 1302 / ISO 406 ISO 1101	projection	MM
			TOLERANCES UNLESS OTHERWISE SPECIFIED		←
Dr	JASON HSU	12/1/10	ANGULAR	size A4	Scale 1.000
Eng	JASON HSU	12/1/10	LINEAR		
Chr	GARY HSIEH	12/1/10	0° ±2°	ECN	
Appr	JOSEPH HSIA	12/1/10	Product family	WTB	Spec ref
			title	10114831	Rev. E
			catalog no	CUSTOMER	sheet 1 of 2

rev	ecn no	dr	date
A	T10-0145	J H	12/1/10
B	ELX-N-011323	JZ	2012-04-17
C	ELX-N-17285	TIM	03/24/14
D	ELX-N-17975	TIM	2014-06-17
E	ELX-N-45435	YS	2022-05-23

1

2

3

4

A

B

C

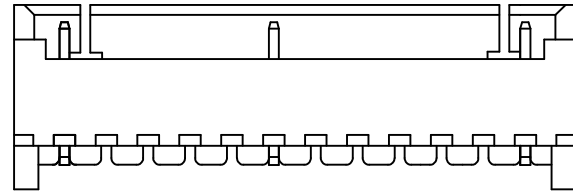
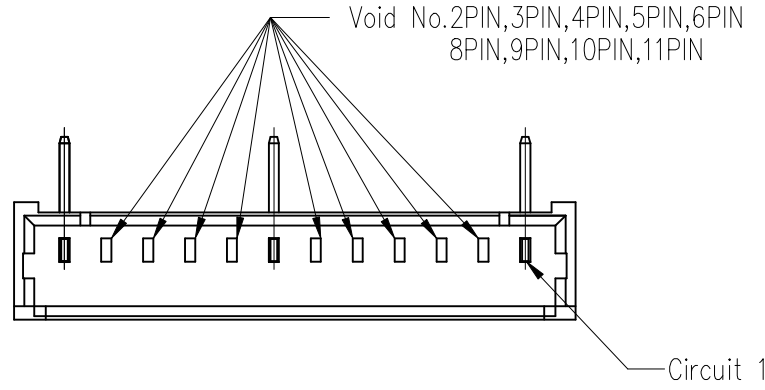
D

A

B

C

D



10114831-XXXXX1LF



Copyright FCI.

REV F - 2006-04-17

www.fciconnect.com				surface 6.4 / tolerance std ISO 1302 ✓ ISO 406 ISO 1101	projection ISO 1101	MM ↔
TOLERANCES UNLESS OTHERWISE SPECIFIED				ANGULAR	LINEAR	Scale 1.000
Dr	JASON HSU	12/1/10		0.X	±0.25	size A4
Eng	JASON HSU	12/1/10		0.XX	±0.15	ECN
Chr	GARY HSIEH	12/1/10	0° ±2°	0.XXX	-	Spec ref
Appr	JOSEPH HSIA	12/1/10		Product family	WTB	
FCI				title	10114831	
				catalog no	CUSTOMER	sheet 2 of 2
				Rev.	E	

rev	ecn no	dir	date
E			

单击下面可查看定价，库存，交付和生命周期等信息

[>>Amphenol\(安费诺\)](#)