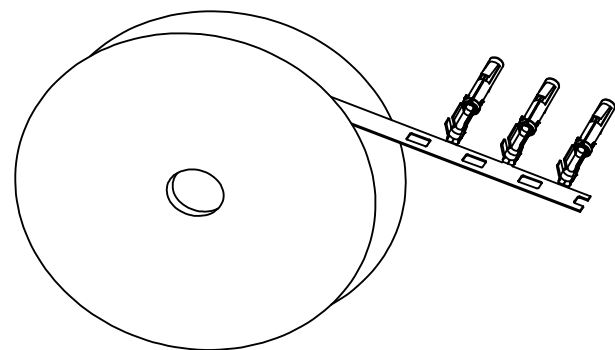


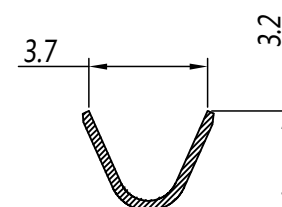
REVISIONS					
REV	ECO	DESCRIPTION	DATE	BY	APPR
B1	-	RELEASED DRAWING	AUG-17-2014	BEN	TOMMY



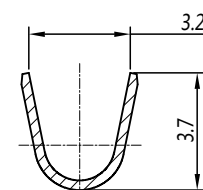
CONTACT ORIENTATION ON ROLL

NOTES : (UNLESS OTHERWISE SPECIFIED)

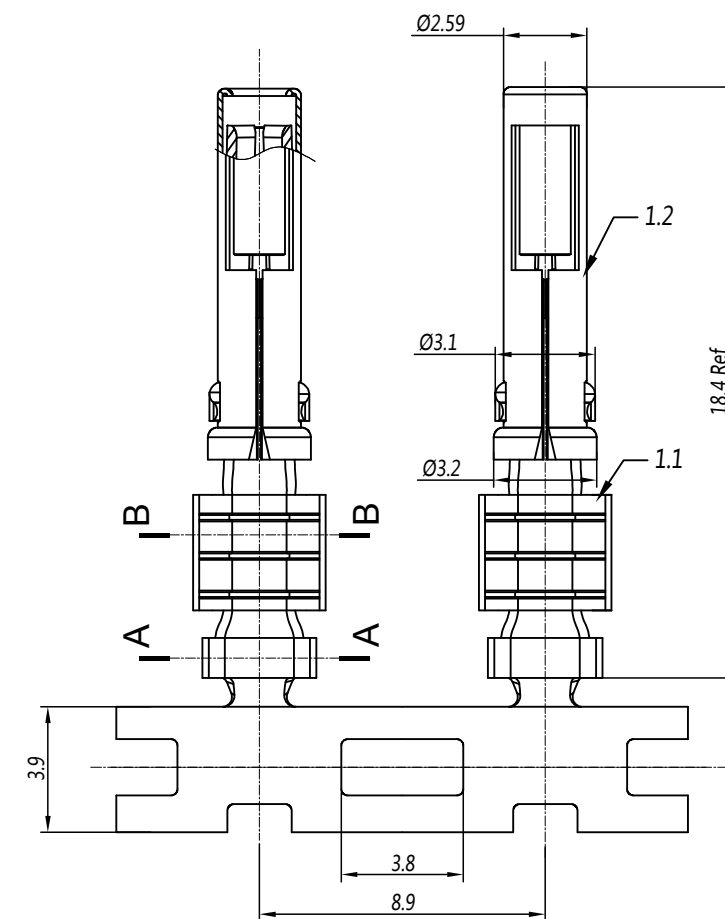
1. MATERIAL :
 - 1.1. CONTACT BODY : COPPER ALLOY.
 - 1.2. OUTER SPRING : STAINLESS STEEL.
2. SPECIFICATIONS :
 - 2.1 CURRENT RATING : 13A MAX.
 - 2.2 TERMINATION TYPE : CRIMPING.
 - 2.3 WIRE RANGE : 16~14AWG.
 - 2.4 WIRE INSULATION DIA(MAX) : Ø3.2mm.
3. ROHS COMPLIANT.
4. ALL DIMENSIONS ARE FOR REFERENCE USE ONLY.
5. AVAILABLE TOOLS :
 - 5.1 HAND CRIMPER : MFX-3954.
 - 5.2 CRIMP APPLICATOR : MFX-3957.
 - 5.3 EXTRACTION TOOL : QXRT16.



SECTION B-B



SECTION A-A



P/N	CONTACT PLATING(MATING AREA)
SS14M1T	TIN PLATING OVER NICKEL.
SS14M1F	GOLD FLASH PLATING OVER NICKEL.
SS14M1G10	10µ" GOLD PLATING OVER NICKEL.
SS14M1G15	15µ" GOLD PLATING OVER NICKEL.
SS14M1G30	30µ" GOLD PLATING OVER NICKEL.

QUANTITY	PART NUMBER	DESCRIPTION	ITEM										
MATERIALS LIST													
UNLESS OTHERWISE SPECIFIED 1) All dimensions are in metric (mm). 2) Tolerances are as follows: 1 PL DEC ±0.30 Fractions ±1/64 2 PL DEC ±0.15 Angles ±1° 3 PL DEC ±0.08 3) Note reference =		<table border="1"> <thead> <tr> <th>SIGNATURES</th> <th>DATE</th> </tr> </thead> <tbody> <tr> <td>DRAWN: BEN</td> <td>AUG-17-2014</td> </tr> <tr> <td>CHECKED:</td> <td></td> </tr> <tr> <td>ENGINEER:</td> <td></td> </tr> <tr> <td>APPROVAL:</td> <td></td> </tr> </tbody> </table>		SIGNATURES	DATE	DRAWN: BEN	AUG-17-2014	CHECKED:		ENGINEER:		APPROVAL:	
SIGNATURES	DATE												
DRAWN: BEN	AUG-17-2014												
CHECKED:													
ENGINEER:													
APPROVAL:													
MATERIAL SPECIFICATIONS:		<p style="text-align: center;">Amphenol</p> <p>Sine Systems - www.amphenol-sine.com 44724 Morley Drive Clinton Township, MI 48036</p> <p style="text-align: center;">ECO-MATE, SOCKET CONTACT, STAMPED, 14-16AWG, SIZE 16.</p>											
PROCESS SPECIFICATIONS:													
NEXT ASSY:		<table border="1"> <tr> <td>SIZE</td> <td>TYPE</td> <td>DWG NO:</td> <td>REVISION</td> </tr> <tr> <td>B</td> <td>C-</td> <td>SS14M1xx</td> <td>B1</td> </tr> </table>	SIZE	TYPE	DWG NO:	REVISION	B	C-	SS14M1xx	B1			
SIZE	TYPE	DWG NO:	REVISION										
B	C-	SS14M1xx	B1										
SCALE: NONE		SHEET 1 OF 1											

TITLE: ECO-MATE SOCKET CONTACT, STAMPED, 14-16AWG, SIZE 16

DWG NO:

SS14M1xx

REV: B1

SH: 1

OF: 1

单击下面可查看定价，库存，交付和生命周期等信息

[>>Amphenol\(安费诺\)](#)