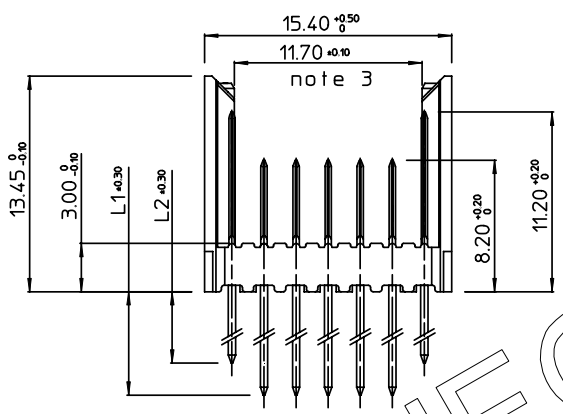
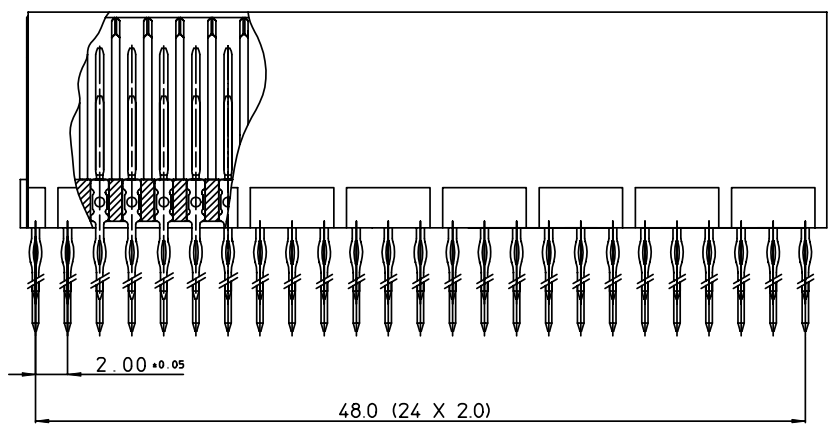


GEN. ST.	01	02	03	04	05	06	07	08	0D	50	60	70	80	90															
INT. ST.	10	11	12	13	14	18	20	31	32	33	34	38	39	40	42	43	44	45	46	48	56	70	72	73	76	82	83	84	88

REV.	DATE	DESCRIPTION	BY	C'K'D'
A	14-09-01	CONVERSION REVISION 02	KN	
B	24-10-05	105-0196	ALEX B	BKP



**PERFORMANCE CHARACTERISTICS**

CURRENT RATING : 1.5 A AT 20°C ( FULLY LOADED )  
 1 A AT 70°C ( FULLY LOADED )

RATED VOLTAGE : 500 V AC (CONT / CONT )

OPERATING TEMPERATURE : -55°C TO 125°C

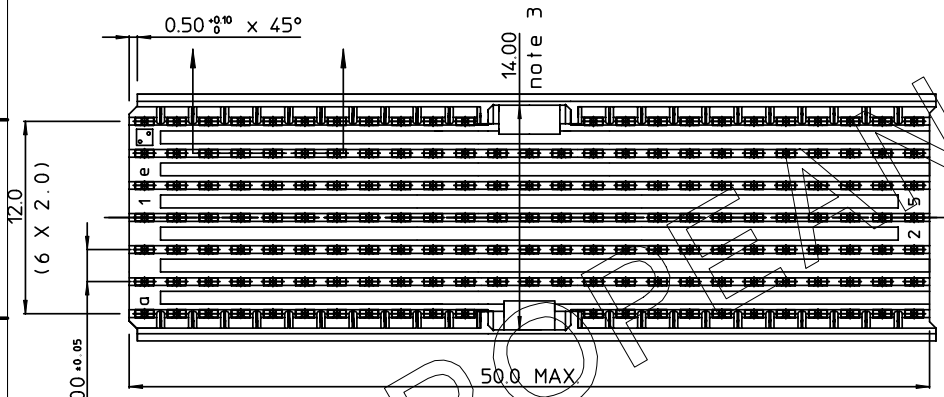
CONTACT RESISTANCE : 20 mΩ MAX

INSERTION FORCE : 0.75 N MAX / CONT

EXTRACTION FORCE : 0.15 N MIN / CONT

INSULATION RESISTANCE : 10<sup>4</sup> MΩ MIN

CAT. NR.	L1±0.3	L2±0.3	DESCRIPTION
HM2P65PD5111----	3.7	3.7	SHORT PRESS-FIT
HM2P65RC5111----	4.5	4.5	SHORT PRESS-FIT
HM2P65PK5111----	13	4.5	REAR PLUG-UP: LEVEL 1
HM2P65PM5111----	14.5	4.5	REAR PLUG-UP: LEVEL 2
HM2P65PN5111----	16	4.5	REAR PLUG-UP: LEVEL 3



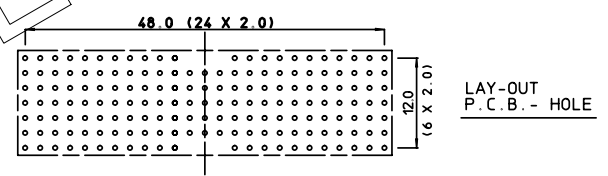
LEAD FREE INDICATOR : LF = LEAD FREE (DIGIT 15 & 16)

HM2P65P#5111

PLATING CODE (DIGIT 13 AND 14) (REF DWG No. BS,C ,201844,003)

**NOTES:**

1. THIS PRODUCT IS CSA APPROVED.
2. THIS PRODUCT IS UL RECOGNIZED.
3. MEASURED AT THE BOTTOM.
4. THE PRODUCT (LF) MEETS EUROPEAN UNION DIRECTIVES AND OTHER COUNTRY REGULATIONS AS DESCRIBED IN GS-22-008
5. FOR RECOMMENDED PTH DIMENSIONS REFER DRAWING : BS,A ,201572,001



**MALE SIGNAL STRAIGHT PRESS-FIT-TO-BOARD CONNECTOR WITH GUIDING**

1DEC ±0.2 1DEC	2DEC ±0.1 2DEC	ANGLES ±1° HOEKEN	<b>APPR.</b>	<b>DATE</b>	<b>SIGN.</b>	MILLIPACS 2 / TYPE AB (25 POS) / SHIELDED
			DRAFT	06-05-99	N.Otto	<b>CAT. No.</b> HM2P65P#5111----
			CHECKED			
WE RESERVE THE RIGHT TO CHANGE DIMENSIONS OR REQUIREMENTS WITHOUT PRIOR NOTICE.			PROD. MGR.			FCI MECHELEN N.V. A. SPINOYSTRAT 8, 2800 MECHELEN
			PR. ENG. MGR.			
ALL DIMENSIONS IN MM			PR. MGT. MGR.			
			<b>REFERENCES / REFERENTIES</b>			

THIS IS OUR EXCLUSIVE PROPERTY. IT IS NOT TO BE COPIED, REPRINTED OR DISCLOSED TO A THIRD PARTY, NOR USED FOR REPRODUCTION, WITHOUT OUR WRITTEN CONSENT, AND HAS TO BE RETURNED TO THE ISSUING OFFICE.

DIT IS ONZE EIGENDOM EN MAG NIET NAAGEMAKT, HERDRUKT, OVERGEMAKT AAN DERDE PARTIJEN, NIET VERBODEN, NIET VERBODEN, ZONDER ONZE SCHRIFTELIJKE TOESTEMMING, EN MOET TERUGGELEVERD WORDEN AAN DE UITGEVER.

单击下面可查看定价，库存，交付和生命周期等信息

[>>Amphenol\(安费诺\)](#)