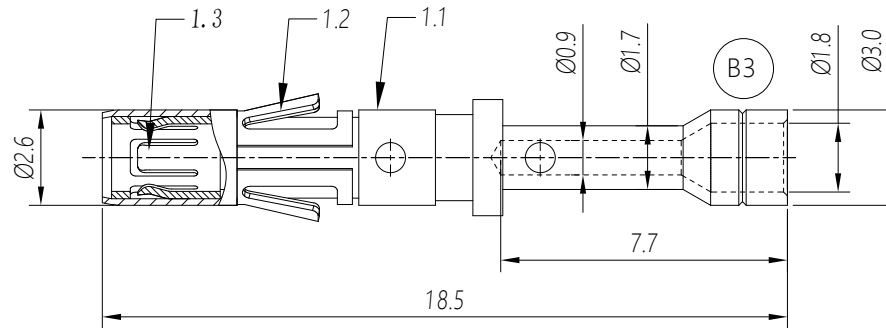


REVISIONS					
REV	ECO	DESCRIPTION	DATE	BY	APPR
B2	-	RELEASED DRAWING	JUN-19-2014	BEN	TOMMY
B3	-	Update drawing	Jun-21-18	Flan	Tommy
B4	-	Update drawing	Sep-21-18	Blink	Tommy



- NOTES: (UNLESS OTHERWISE SPECIFIED)
- MATERIAL:
    - CONTACT BODY: COPPER ALLOY.
    - POSITIONING CLIP: COPPER ALLOY.
    - CROWN SPRING CONTACT: COPPER ALLOY.
  - SPECIFICATIONS:
    - CURRENT RATING: 13A(MAX).
    - TERMINATION TYPE: CRIMPING.
    - WIRE RANGE: 24~26AWG AND 28AWG.
  - SUITABLE SOCKET TYPE: MP24M23xx.
  - RoHS COMPLIANT.
  - ALL DIMENSIONS ARE FOR REFERENCE USE ONLY.

B4

P/N	CONTACT PLATING(MATING AREA)
MS24M23T	TIN PLATING OVER NICKEL.
MS24M23S	SILVER PLATING OVER NICKEL.
MS24M23F	GOLD FLASH PLATING OVER NICKEL.
MS24M23G5	5µ" GOLD PLATING OVER NICKEL.
MS24M23G10	10µ" GOLD PLATING OVER NICKEL.
MS24M23G15	15µ" GOLD PLATING OVER NICKEL.
MS24M23G30	30µ" GOLD PLATING OVER NICKEL.

QUANTITY	PART NUMBER	DESCRIPTION	ITEM
<b>MATERIALS LIST</b>			
UNLESS OTHERWISE SPECIFIED: 1) All dimensions are in metric(mm). 2) Tolerances are as follows: 1 PL DEC ±0.30 2 PL DEC ±0.15 3 PL DEC ±0.08 3) Note reference =		SIGNATURES      DATE DRAWN: Blink      Sep-21-18 CHECKED: Tod      Sep-21-18 ENGINEER: APPROVAL: Tommy      Sep-21-18	<b>Amphenol</b> Sine Systems - www.amphenol-sine.com 44724 Morley Drive Clinton Township, MI 48036
MATERIAL SPECIFICATIONS:  PROCESS SPECIFICATIONS:  NEXT ASSY:		CUSTOMER: THIS DRAWING IS SUPPLIED FOR INFORMATION ONLY. DESIGN FEATURES, SPECIFICATIONS AND PERFORMANCE DATA SHOWN HEREON ARE THE PROPERTY OF THE AMPHENOL CORPORATION. NO RIGHTS OF REPRODUCTION ARE IMPLIED. ALL DIMENSIONS ARE SUBJECT TO NORMAL MANUFACTURING VARIATIONS.	
		SIZE: <b>B</b> TYPE: <b>C-</b> DWG NO: <b>MS24M23xx</b> REVISION: <b>B4</b> SCALE: <b>NONE</b> SHEET <b>1</b> OF <b>1</b>	

TITLE: ECO-MATE SOCKET CONTACT MACHINE, 24-28AWG, SIZE 16  
DWG NO: MS24M23xx  
REV: B4  
SH: 1  
OF: 1

单击下面可查看定价，库存，交付和生命周期等信息

[>>Amphenol\(安费诺\)](#)