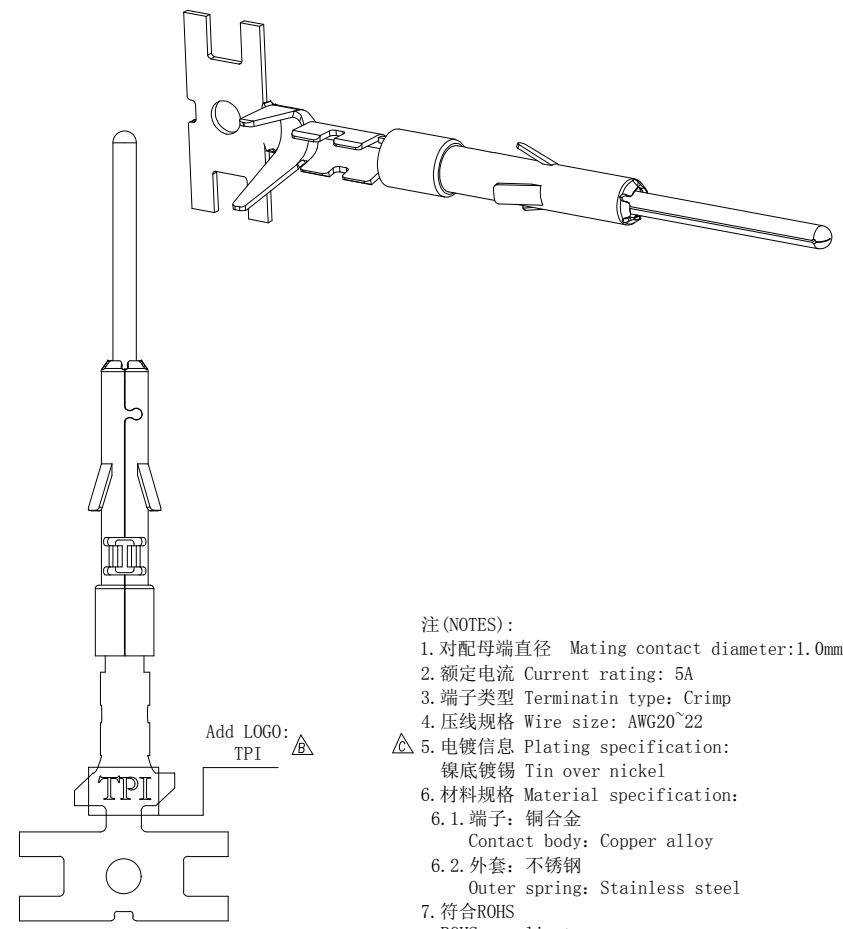
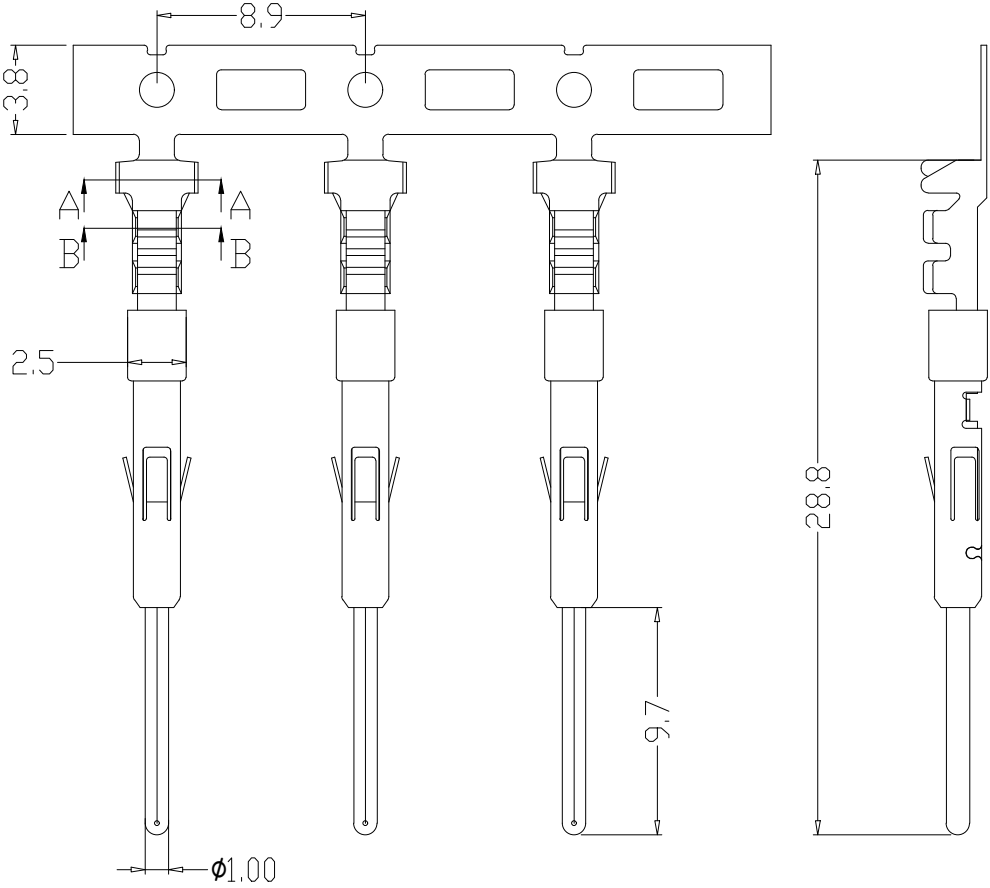


THIS DRAWING IS SUPPLIED FOR INFORMATION ONLY. DESIGN FEATURES, SPECIFICATIONS AND PERFORMANCE DATA SHOWN HEREON ARE THE PROPERTY OF THE AMPHENOL CORPORATION. NO RIGHTS OF REPRODUCTION ARE IMPLIED. ALL DIMENSIONS ARE SUBJECT TO NORMAL MANUFACTURING VARIATIONS.

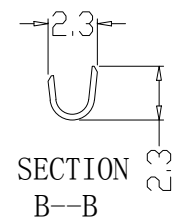
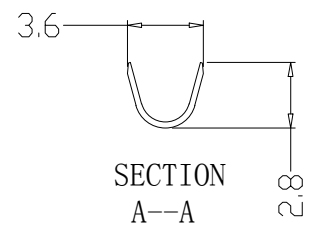
Customer Drawing

				REVISIONS		
REV	ZONE	ECO	DESCRIPTION	DATE	BY	APPR
A	--	--	INITIAL RELEASE	11/22/18	FL	JL
B	--	--	Add LOGO	05/08/19	FL	JL
C	--	--	Remove the gold-plated terminal	05/12/20	JS	JL

A
B
C
D
E
F



- 注 (NOTES):
1. 对配母端直径 Mating contact diameter: 1.0mm
 2. 额定电流 Current rating: 5A
 3. 端子类型 Terminatin type: Crimp
 4. 压线规格 Wire size: AWG20~22
 5. 电镀信息 Plating specification:
镍底镀锡 Tin over nickel
 6. 材料规格 Material specification:
6.1. 端子: 铜合金
Contact body: Copper alloy
6.2. 外套: 不锈钢
Outer spring: Stainless steel
 7. 符合ROHS
ROHS compliant



	Amphenol Technical Products International GZ					PART NAME: HC Contact 20#Pin AWG20~22	
	第三角投影 THIRD ANGLE PROJECTION	页面 SHEET 1 OF 1	幅面 SIZE A3	版次 REV. C	比例 SCALE	DWG NO: HCTM12104	
签名 SIGNATURE 制图 DRAWN JS 审核 CHECKED YM 批准 APPROVAL JL		日期 DATE 05/12/20 05/12/20 05/12/20		UNLESS OTHERWISE SPECIFIED 1) All dimensions are in metric(mm). 2) Tolerances are as follows: 1 PL DEC ±1.00 2 PL DEC ±0.50 3 PL DEC ±0.20		CUST PART #: N/A	
				Angles ±1°		CUST REV. -	

单击下面可查看定价，库存，交付和生命周期等信息

[>>Amphenol\(安费诺\)](#)