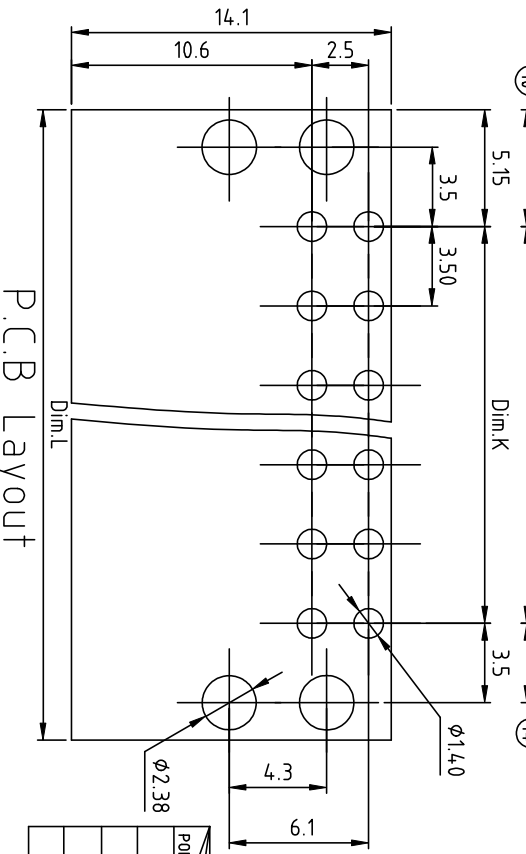
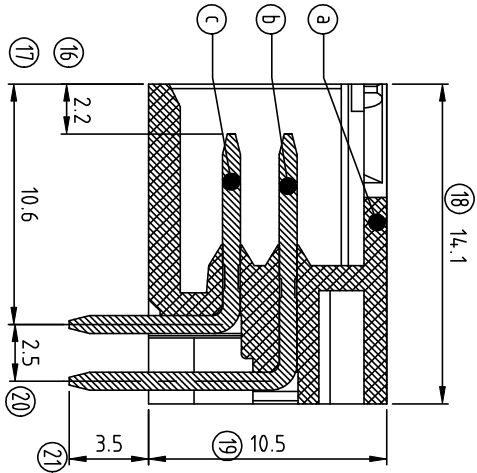
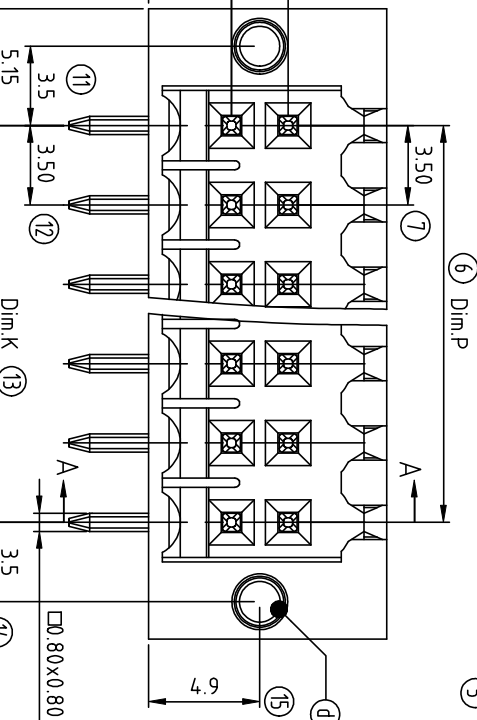
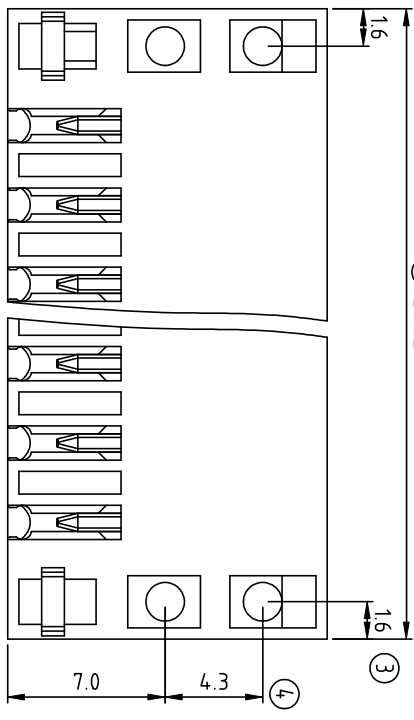


VER	SIGN	DATE	DESCRIPTION	APPROVER
C	△	04/25'11	Material is changed	Chen Bo
△	△	05/17-18	Increase DIM. K dimension tolerance table.	zhangcan
△	△	05/17-18	Add Rohs compliant	zhangcan
△	△	05/17-18	Increase the version number.	zhangcan

THIS IS CAD DRAWING, DO NOT REVISE MANUALLY!!!!



POLES	Tol	Dim.	Dim.L	Dim.P	Dim.K
2x2p-2x6p			±0.15	±0.10	±0.10
2x7p-2x12p			±0.25	±0.20	±0.20
2x13p-2x18p			±0.35	±0.30	±0.30
2x19p-2x24p			±0.40	±0.35	±0.35

N=Number of poles
 DimL=(N/2-1)×3.5+10.3
 DimP=(N/2-1)×3.5
 DimK=(N/2-1)×3.5

- Material:
- Item ① Terminal housing: PA66 (UL94V-0)
 - Item ② Male contact long pin: Brass, Tin plated
 - Item ③ Male contact short pin: Brass, Tin plated
 - Item ④ With flange nut: Brass, Nickel plated, M2.0
- Electrical:
- Voltage rating: 150V
 - Current rating: 7A
 - Withstanding Voltage: 1.3KV
 - Operating temperature: -40°C to +115°C
 - Soldering temperature: 250°C±10°C/5 Sec
 - Safety Approval:



V X XX 1 2 X 1 XXXX G

NO of ploese →
 04, 2x2 CONTACTS → 0 Black
 06 3x2 CONTACTS → 3 Orange
 ... → 5 Green
 48 24x2 CONTACTS → 6 Blue
 ... → 8 Grey

Pb<4.0,000ppm
 RoHS
 0000 Standard @ Logo
 000A Standard ANY Logo
 Any special item by
 customer request,
 please contact sales
 department.

ANYTEK

CUSTOMER COPY

ALL RIGHTS RESERVED. REPRODUCTION OR ISSUE TO THIRD PARTIES IN ANY FORM WHATSOEVER IS NOT PERMITTED WITHOUT WRITTEN AUTHORITY FROM THE PROPRIETOR. PROPERTY OF ANYTEK TECHNOLOGY CO., LTD

TITLE	VX 3.5mm Series With flange Right-angle			DWG NO.	8VX0001	Tolerance
PART NO.	VXxxx12x1xxxxG	CUST. NO.		UNIT:	mm	X.X ±0.50
CHECKED		DRAWN	Chen Bo	SCALE:	NONE	XXX ±0.30
DESIGNED	zhangcan	DATE	2011.04.25	REV:	D	XX ±0.10
APPROVED		SHEET:	01/01			X° ±1°

单击下面可查看定价，库存，交付和生命周期等信息

[>>Amphenol\(安费诺\)](#)