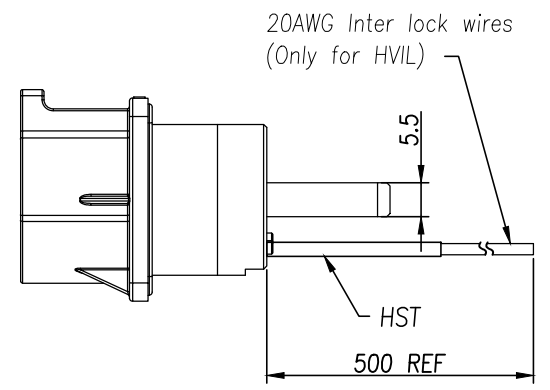
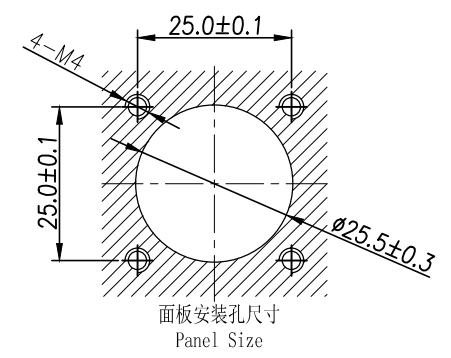
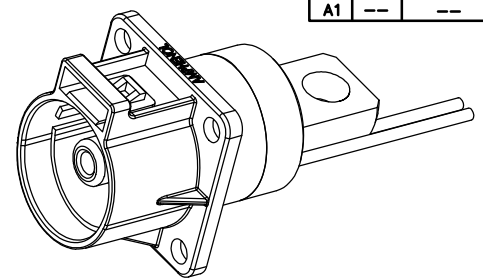
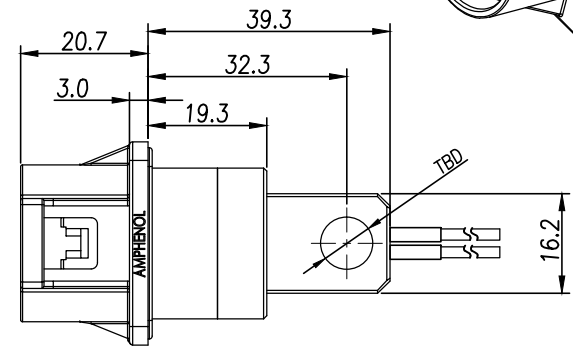
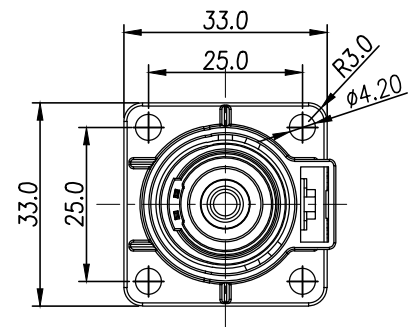


THIS DRAWING IS SUPPLIED FOR INFORMATION ONLY. DESIGN FEATURES, SPECIFICATIONS AND PERFORMANCE DATA SHOWN HEREON ARE THE PROPERTY OF THE AMPHENOL CORPORATION. NO RIGHTS OF REPRODUCTION ARE IMPLIED. ALL DIMENSIONS ARE SUBJECT TO NORMAL MANUFACTURING VARIATIONS.

Customer Drawing

| REVISIONS | | | | | | |
|-----------|------|-----|-----------------|----------|----|------|
| REV | ZONE | ECO | DESCRIPTION | DATE | BY | APPR |
| A1 | -- | -- | INITIAL RELEASE | 07/14/15 | RW | EC |



Standard Part List (With HVIL)

| P/N |
|----------------|
| PL00X-201-10M6 |
| PL00Y-201-10M6 |
| PL00U-201-10M6 |
| PL00V-201-10M6 |
| PL00W-201-10M6 |
| PL00X-201-10M8 |
| PL00Y-201-10M8 |
| PL00U-201-10M8 |
| PL00V-201-10M8 |
| PL00W-201-10M8 |
| PL00X-201-10H6 |
| PL00Y-201-10H6 |
| PL00U-201-10H6 |
| PL00V-201-10H6 |
| PL00W-201-10H6 |
| PL00X-201-10H8 |
| PL00Y-201-10H8 |
| PL00U-201-10H8 |
| PL00V-201-10H8 |
| PL00W-201-10H8 |

Standard Part List (Without HVIL)

| P/N |
|----------------|
| PL00X-200-10M6 |
| PL00Y-200-10M6 |
| PL00U-200-10M6 |
| PL00V-200-10M6 |
| PL00W-200-10M6 |
| PL00X-200-10M8 |
| PL00Y-200-10M8 |
| PL00U-200-10M8 |
| PL00V-200-10M8 |
| PL00W-200-10M8 |
| PL00X-200-10H6 |
| PL00Y-200-10H6 |
| PL00U-200-10H6 |
| PL00V-200-10H6 |
| PL00W-200-10H6 |
| PL00X-200-10H8 |
| PL00Y-200-10H8 |
| PL00U-200-10H8 |
| PL00V-200-10H8 |
| PL00W-200-10H8 |

规格参数 (Spec.):

1. 工作温度 Operating temperature: -40° C~+125° C.
2. 额定电流 Current rating: 200 A.
3. 额定电压 Operating voltage: 1000 VDC.
4. 耐电压 Dielectric withstanding voltage: 5000 VDC.
5. 防护等级 Protection class: IP67 & IP2X.
6. 电磁屏蔽 Shielding.
7. 机械寿命 Mating cycle: 500 Min.
8. 带自动二次锁扣 Automatic secondary lock.
9. 带高压互锁 Electrical interlock (HVIL).
10. 法兰盘螺丝安装扭矩 Screw Assembly Torque on Flange : 1.6~9.4 Nm

订购信息 Ordering Information

| | | | |
|---|-------------------------------------|---|-----------------|
| PL00 X | - 20 0 | - 10 D | 10 |
| 键位及颜色 Key & Color | 高压互锁 HVIL | 孔种类 Hole Type | 联接螺栓 Bolt Size |
| "X", 橙色 Orange "Y", 黑色 Black "U", 黄色 Yellow "V", 绿色 Green "W", 红色 Red | 0, 不带互锁 No HVIL 1, 带互锁 With HVIL | M, 螺纹孔 Screw Hole H, 腰孔 Slotted Hole | Customer Define |

| | | | | | |
|--------------|--|--|------------|------------|--------------|
| | Amphenol Technical Products International GZ | | | | |
| | 第三角投影 THIRD ANGLE PROJECTION | 页面 SHEET | 幅面 SIZE | 版次 REV. | 比例 SCALE |
| 签名 SIGNATURE | 日期 DATE | UNLESS OTHERWISE SPECIFIED | | | DWG NO: |
| 制图 DRAWN | RW | 1) All dimensions are in metric(mm). | | | PL00-200-10 |
| 审核 CHECKED | GX | 2) Tolerances are as follows: | | | CUST PART #: |
| 批准 APPROVAL | EC | 0 PL DEC ±1.00 1 PL DEC ±0.50 2 PL DEC ±0.20 | | | N/A |
| | | Angles ±1° | | | CUST REV.: |
| | | | | | - |

单击下面可查看定价，库存，交付和生命周期等信息

[>>Amphenol\(安费诺\)](#)