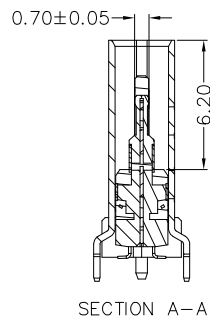
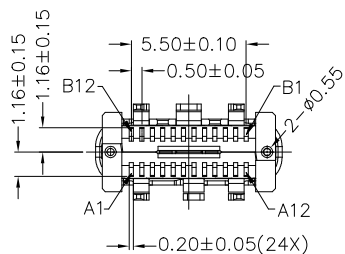
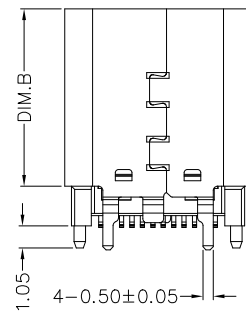
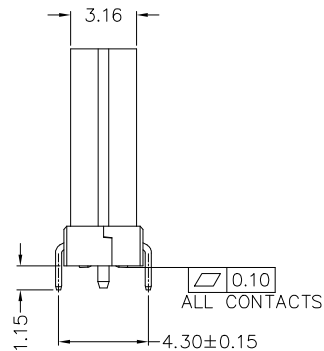
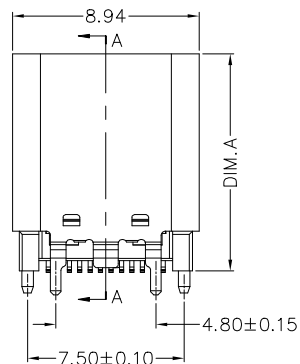
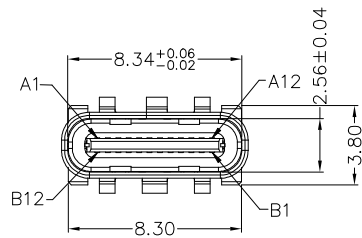


Amphenol FCI  
© 2016 AFCI



10157529-00X X X LF

- PACKAGING
  - 1. TAPE AND REEL
- CONTACT PLATING
  - 1. GOLD FLASH
  - 2. 30u" Au
  - 3. 15u" Au
- TYPE
  - 1. TYPE1
  - 2. TYPE2

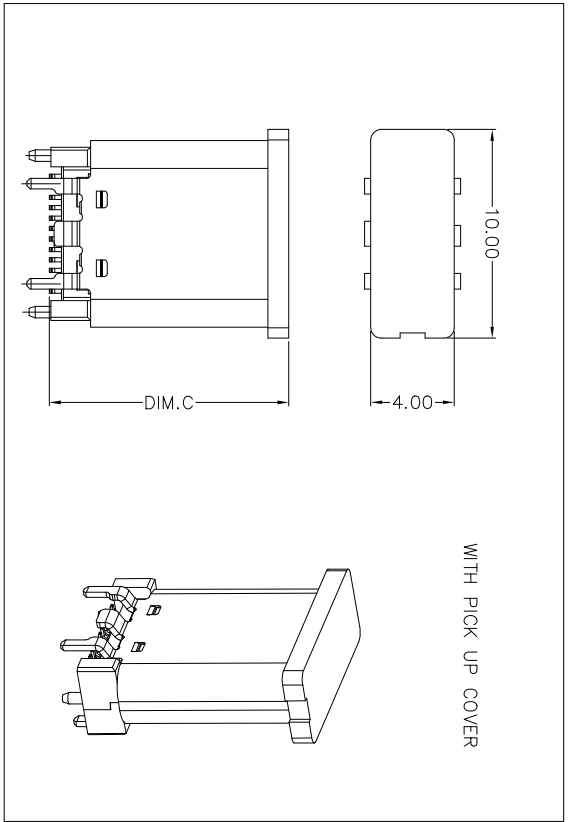
NOTE:

- 1.MATERIAL SPECIFICATION:
  - 1.HOUSING:HIGH TEMPERATURE RESISTANT PLASTIC(LCP),UL94 V-0.
  - 2.CONTACTS:COPPER ALLOY(C18150)T=0.12mm
  - 3.MID PLATE: STAINLESS STEEL(SUS301)T=0.15mm
  - 4.EMI PLATE: STAINLESS STEEL(SUS301)T=0.10mm
  - 5.SHELL: STAINLESS STEEL(SUS304)T=0.30mm
- 2.PLATING SPECIFICATION:
  - 2-1.CONTACTS:
    - Ni 50u" MIN. UNDER PLATED OVER ALL.
    - Au PLATED ON THE FUNCTIONAL AREA OF CONTACT.
    - (GOLD PLATING THICKNESS FOLLOW THE P/N)
    - Sn PLATED ON THE SOLDER AREA OF CONTACT.
  - 2-2.SHELL:
    - Ni 30u" MIN. UNDER PLATED OVER ALL.
  - 2-3.MID PLATE:
    - CLEAR ONLY
  - 2-4.EMI PLATE:
    - CLEAR ONLY
- 3.MECHANICAL PERFORMANCE,
  - 3-1.INSERTION FORCE: 5~20N.
  - 3-2.REMOVAL FORCE: 8~20N,6~20N AFTER TEST;
  - 3-3.DURABILITY: 10000 CYCLES.
- 4.ELECTRICAL PERFORMANCE,
  - 4-1. CURRENT RATING:5.0A  
VOLTAGE RATING:5.0V
  - 4-2. LLCR:
    - VBUS & GND PINS AND OTHER PINS: 40mΩ/PIN MAX.
    - SHIELD: 50mΩ/MAX.
    - LLCR MAX. CHANGE OF ALL PINS: 10mΩ.
  - 4-3.INSULATION RESISTANCE: 100MΩ MIN
  - 4-4.DIELECTRIC WITHSTAND VOLTAGE,AC 100V FOR 1 MINUTE.
5. ENVIRONMENTAL PERFORMANCE:
  - OPERATING TEMPERATURE: -25°C~+85°C.
- 6.IR REFLOW:
  - THE PEAK TEMPERATURE ON THE BOARD SHALL BE MAINTAINED FOR 10 SECONDS AT 260°C.

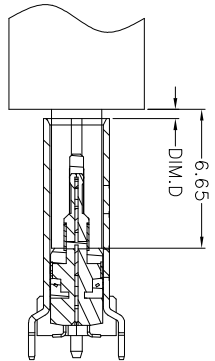
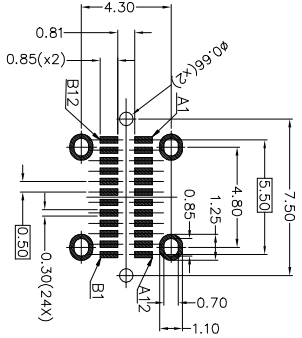
Item	Title	Material	Dispose	Remark
1	Shell	Stainless Steel	Ni: 30u" Min.	
2	GND Plate	Stainless Steel	Clear Only	
3	Mid Plate	Stainless Steel	Clear Only	
4	Top Contact	Copper Alloy	Mating Area: See P/N Solder Tails: Matt Tin	
5	Bottom Contact	Copper Alloy		
6	Insulator	High Temperature Plastic	UL 94V-0	Black

mat'l. code		surface ISO 1302 ✓	tolerance ISO 406 ISO 1101	projection	product family
ltr	ecn no	dr	date	tolerances unless otherwise specified	MINITEK127
A	-	YY	2020-04-02	angles linear	title
				0'±x'	USB 3.1 TYPE C RECEPTACLE VERTICAL TH TYPE
				dr Yuan-Yuan Bao 2020-04-02	dwg no
				eng Yuan-Yuan Bao 2020-04-02	sheet 1 of 1
				chr Tim Yao 2020-04-02	size
				appd Tim Yao 2020-04-02	A3
sheet index					revision A
sheet 1/2					type Product Customer Drawing

P/N:	DIM A	DIM B	DIM C	DIM D
10157529-001XXXLF	10.40	8.50	11.45	0.45
10157529-002XXXLF	9.25	7.35	10.30	1.60



RECOMMENDED PCB LAYOUT(TOP VIEW)  
THICKNESS 1.5±0.10MM;DEFAULT TOLERANCE:±0.05



USB TYPE-C PIN ASSIGNMENTS

PIN NUMBER	SIGNAL NAME	PIN NUMBER	SIGNAL NAME
A1	GND	B12	GND
A2	SSTXp1	B11	SSRXp1
A3	SSTXn1	B10	SSRXn1
A4	Vbus	B9	Vbus
A5	CC1	B8	SBU2
A6	Dp1	B7	Dn2
A7	Dn1	B6	Dp2
A8	SBU1	B5	CC2
A9	Vbus	B4	Vbus
A10	SSRXn2	B3	SSTXn2
A11	SSRXp2	B2	SSTXp2
A12	GND	B1	GND

mat'l. code	surface	tolerance	projection	product family
ISO 1302	ISO 406	ISO 1101	MINITEK127	
ISO 1302	ISO 406	ISO 1101	MINITEK127	
tolerances unless otherwise specified	tolerances unless otherwise specified	tolerances unless otherwise specified	tolerances unless otherwise specified	
angles	.XX±.38	mm	mm	
linear	.XX±.25	mm	mm	
0±x°	.XXX±.13	scale 1:1	scale 1:1	
dr	Yuan-Yuan Bao	2020-04-02	dwg no	
eng	Yuan-Yuan Bao	2020-04-02	10157529	
chr	Tim Yao	2020-04-02	sheet 1 of 1	
qppd	Tim Yao	2020-04-02	size	
sheet	revision	A	A3	
index	sheet	2/2	Product Customer Drawing	

单击下面可查看定价，库存，交付和生命周期等信息

[>>Amphenol\(安费诺\)](#)