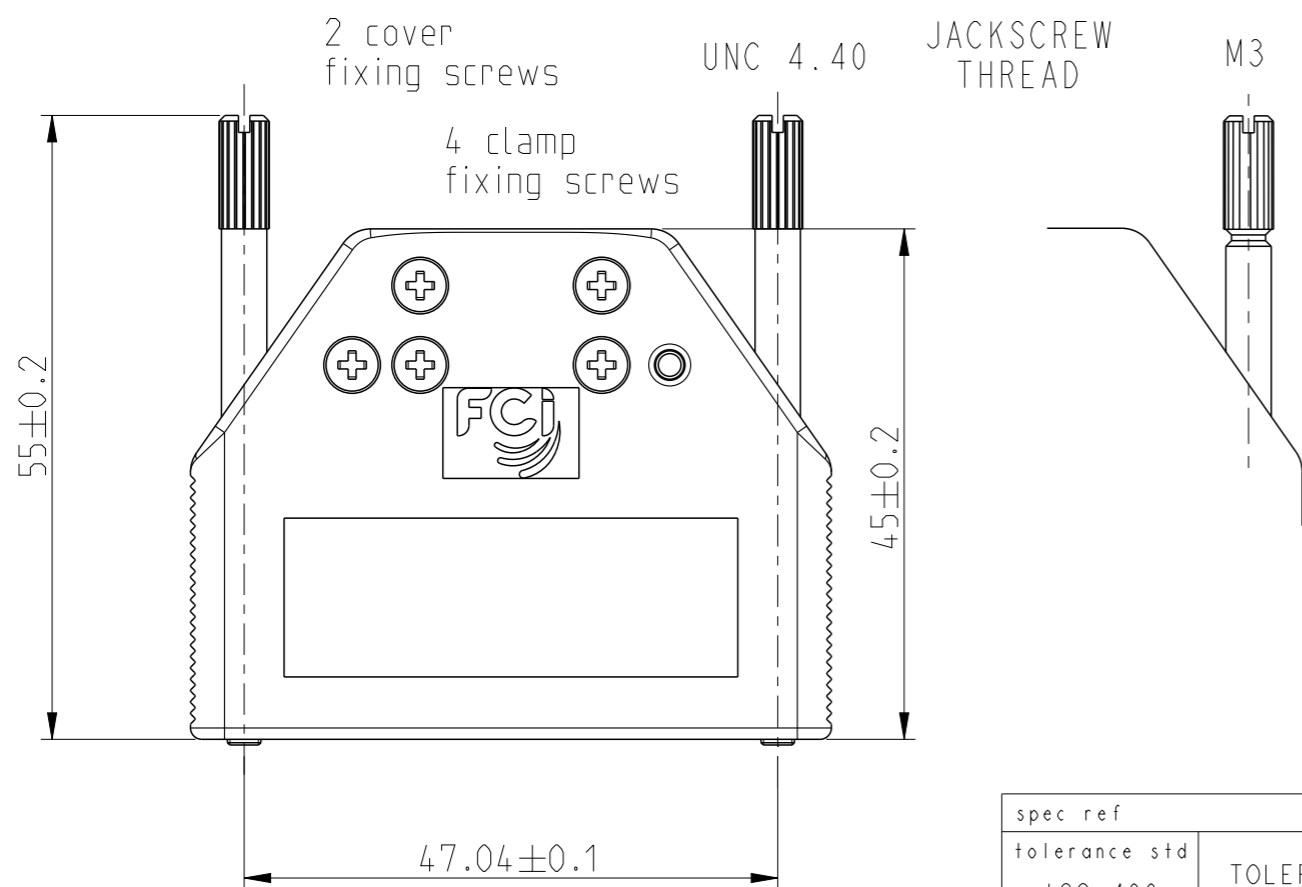
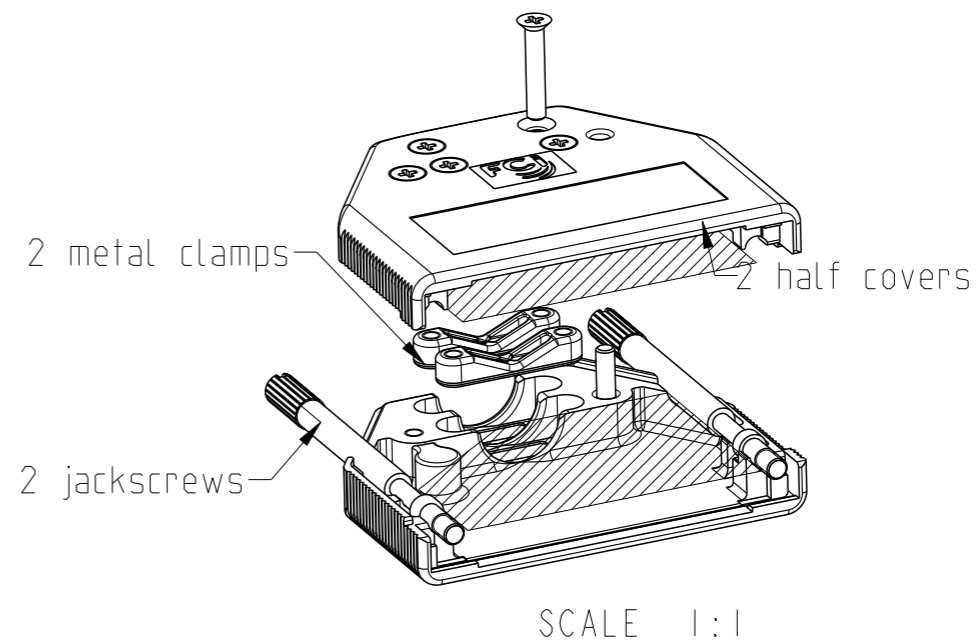
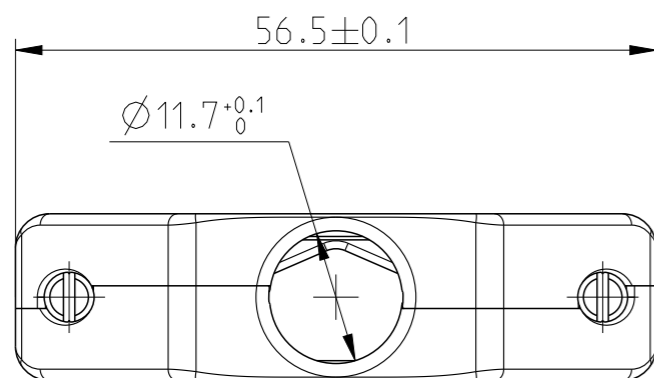


SIZE	Part Number	Jack Screw Thread	Packing
25	8655MH2501LF	UNC 4-40	bulk : Qty 60
	8655MH2511LF		individual set 50 sets/carton
	8655MH2502LF	M3	bulk : Qty 60
	8655MH2512LF		individual set 50 sets/carton

NOTE:RoHS INFORMATIONS

- The LF product meets European union Directives and other country regulations as described in GS-22-009
- The product is not intended to be exposed to a manufacturing solder process
- Packaging spec:see GS-14-920



NOTES : for every sizes

Material and finish : Zinc die-cast  
nickel plated  
Cable strain relief : Zinc die-cast  
Jackscrew : Brass, nickel plated  
UNC 4-40 or M3 (see tables)  
Temperature range : -55°C to +125°C  
Attenuation factor : >40 dB between 10 MHz

Other size details : see on next pages.

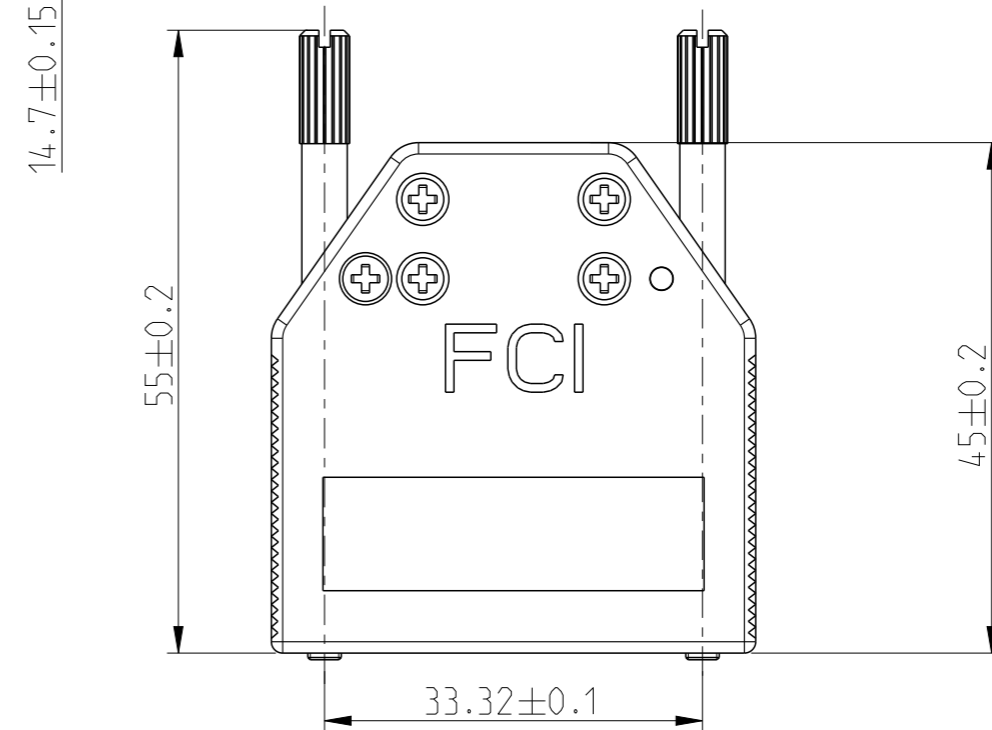
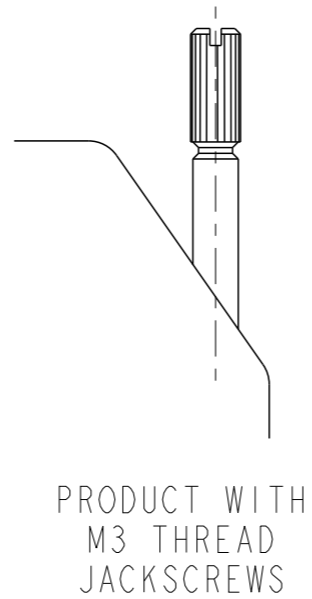
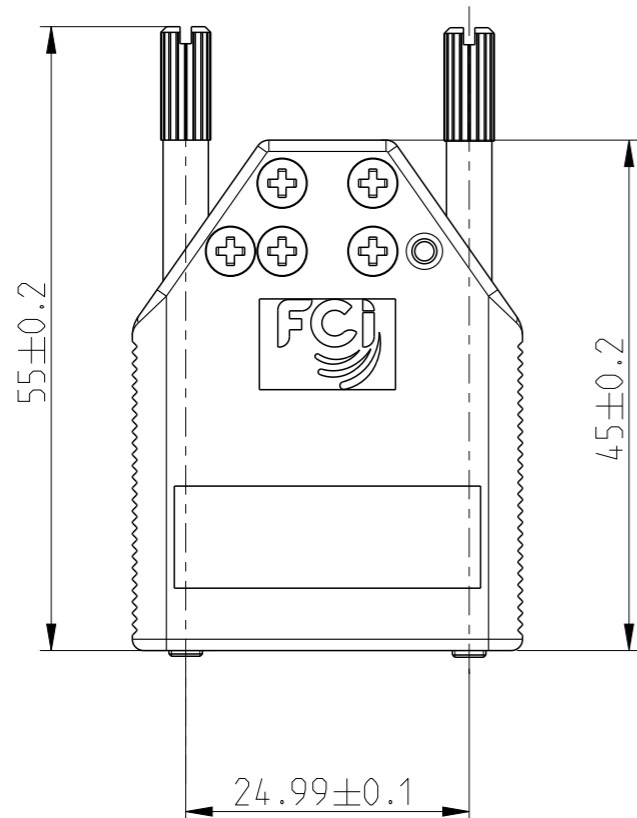
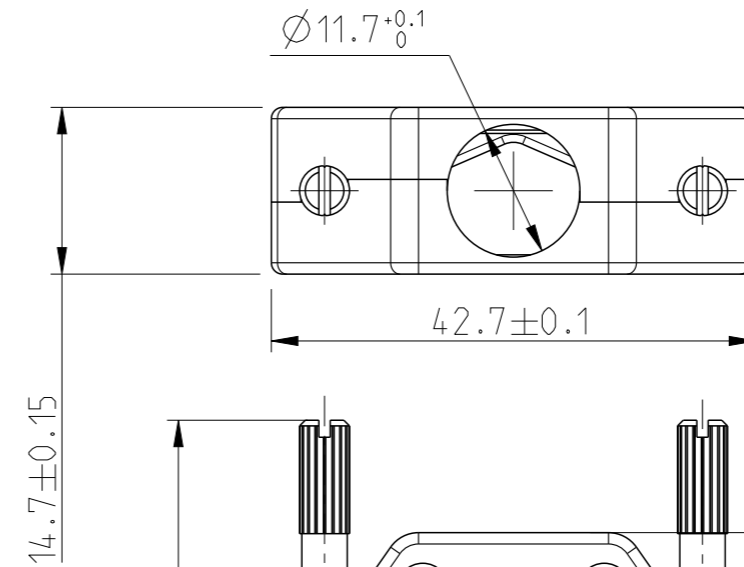
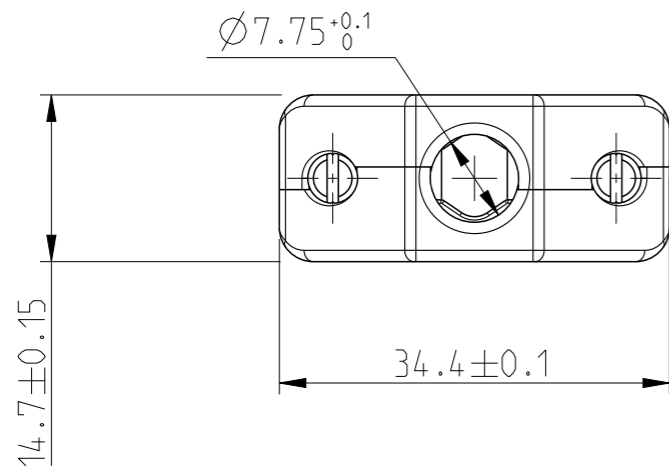
spec ref	dr	A Parrenin	2009/05/20	projection	mm	size	A3	scale	3:2
tolerance std	eng	J Dalibard	2015/09/10			ecn no	ELX-B-20414-1	rel level	Released
ISO 406 ISO 1101	chr	J Dalibard	2015/09/10						
surface	appr	Aymeric Soudy	2015/09/11			rel level	Released	rev	D
ISO 1302	linear	0.X	±/	<b>STRAIGHT METAL HOODS</b> <b>WITH 2 METAL CLAMPS</b>		dwg no	C-8655-1685C	cat. no.	-
	angular	0°	±/°	www.fci.com		Product - Customer Drw	sheet 1 of 4		



Copyright FCI.

SIZE	Part Number	Jack Screw Thread	Packing
09	8655MH0901LF	UNC 4-40	bulk : Qty 80
	8655MH0911LF		individual set 50 sets/carton
	8655MH0902LF	M3	bulk : Qty 80
	8655MH0912LF		individual set 50 sets/carton

SIZE	Part Number	Jack Screw Thread	Packing
15	8655MH1501LF	UNC 4-40	bulk : Qty 80
	8655MH1511LF		individual set 50 sets/carton
	8655MH1502LF	M3	bulk : Qty 80
	8655MH1512LF		individual set 50 sets/carton



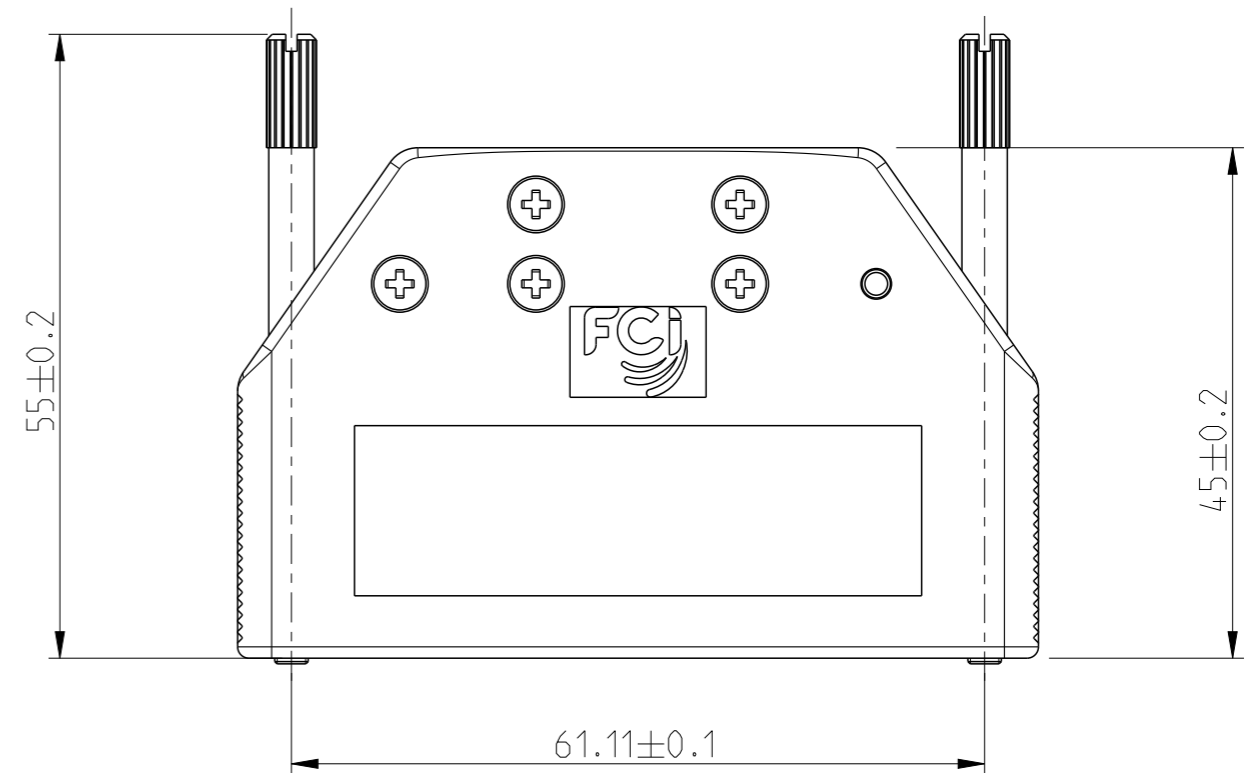
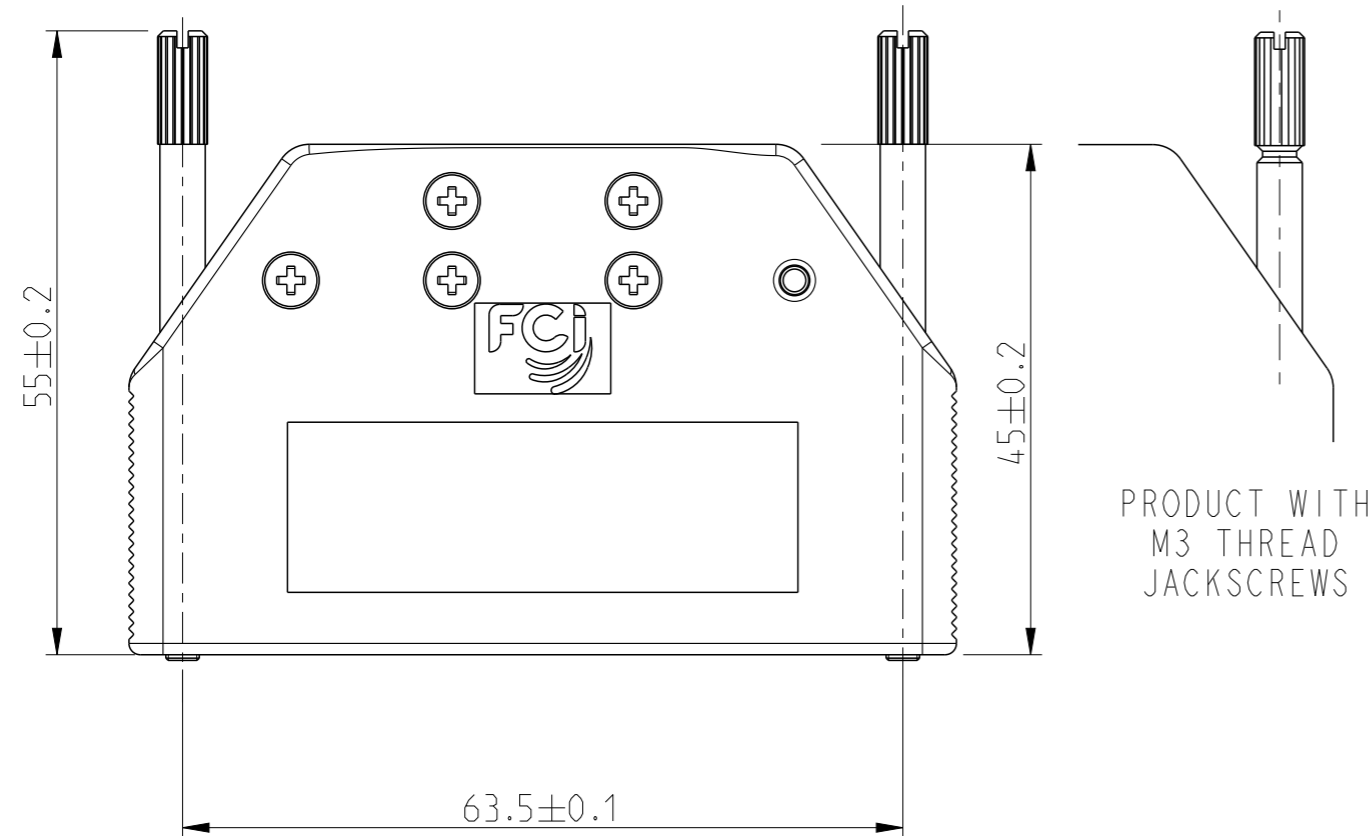
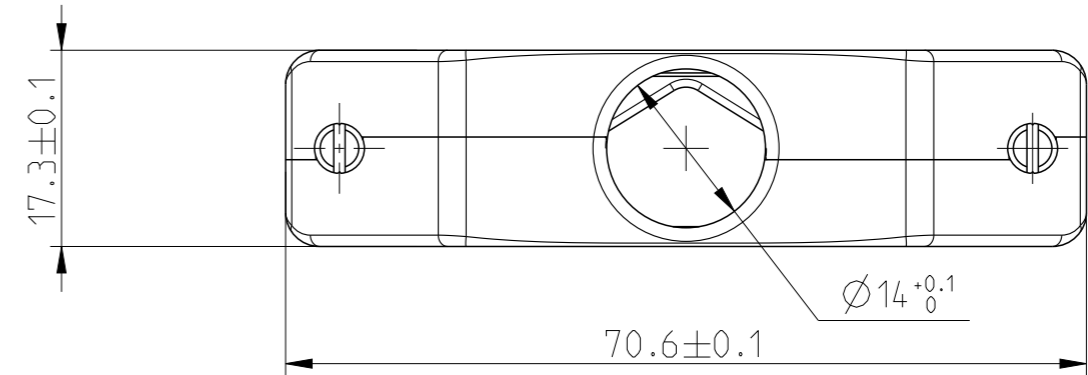
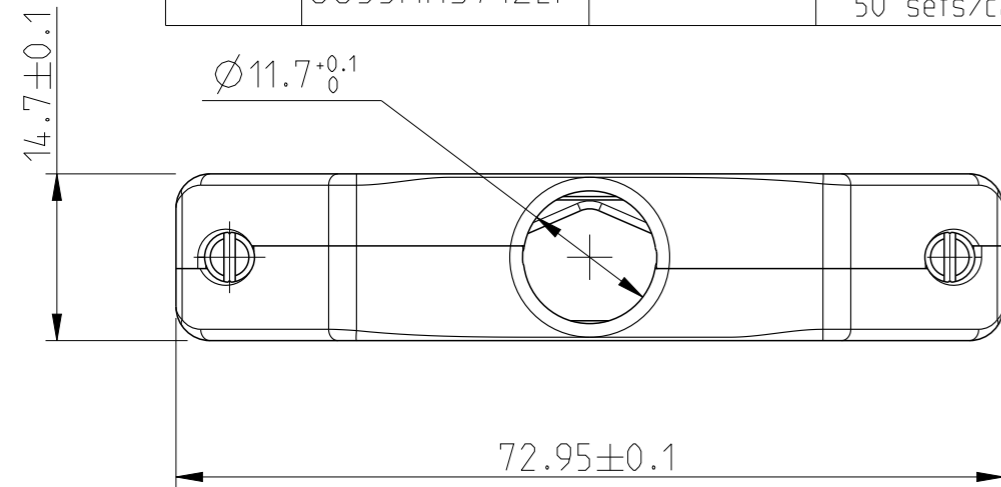
spec ref	dr	A Parrenin	2009/05/20	projection	mm	size	A3	scale	3:2
tolerance std	eng	J Dalibard	2015/09/10			ecn no	ELX-B-20414-1	rel level	Released
ISO 406 ISO 1101	chr	J Dalibard	2015/09/10						
surface	appr	Aymeric Soudy	2015/09/11			dwg no	C-8655-1685C	rev	D
ISO 1302	linear	0.X	±/	<b>www.fci.com</b>		cat. no.	-	Product - Customer Drw	sheet 2 of 4
	angular	0°	±/°	<b>FCj</b>		<b>STRAIGHT METAL HOODS WITH 2 METAL CLAMPS</b>		<b>STATUS:Released</b>	



Copyright FCI.

SIZE	Part Number	Jack Screw Thread	Packing
37	8655MH3701LF	UNC 4-40	bulk : Qty 40
	8655MH3711LF		individual set 50 sets/carton
	8655MH3702LF	M3	bulk : Qty 40
	8655MH3712LF		individual set 50 sets/carton

SIZE	Part Number	Jack Screw Thread	Packing
50	8655MH5001LF	UNC 4-40	bulk : Qty 40
	8655MH5011LF		individual set 50 sets/carton
	8655MH5002LF	M3	bulk : Qty 40
	8655MH5012LF		individual set 50 sets/carton



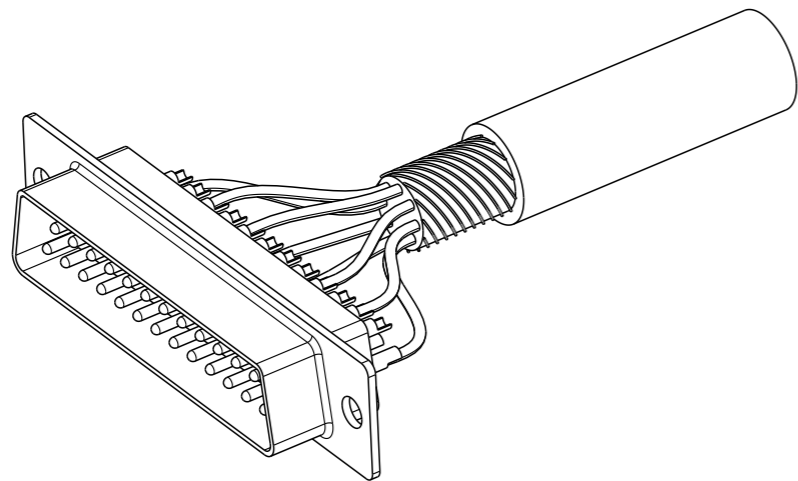
spec ref	dr	A Parrenin	2009/05/20	projection	mm	size	A3	scale	3:2													
tolerance std	eng	J Dalibard	2015/09/10			ecn no	ELX-B-20414-1	rel level	Released													
ISO 406 ISO 1101	chr	J Dalibard	2015/09/10							product family	-											
surface	appr	Aymeric Soudy	2015/09/11			dwg no	C-8655-1685C	rev	D													
ISO 1302	<table border="1"> <tr> <td>linear</td> <td>0.X</td> <td>±/</td> </tr> <tr> <td></td> <td>0.XX</td> <td>±/</td> </tr> <tr> <td></td> <td>0.XXX</td> <td>±/</td> </tr> <tr> <td>angular</td> <td>0°</td> <td>±/°</td> </tr> </table>		linear	0.X	±/		0.XX	±/		0.XXX	±/	angular	0°	±/°	<table border="1"> <tr> <td>title</td> <td>STRAIGHT METAL HOODS WITH 2 METAL CLAMPS</td> </tr> <tr> <td>cat. no.</td> <td>-</td> </tr> </table>	title	STRAIGHT METAL HOODS WITH 2 METAL CLAMPS	cat. no.	-	Product - Customer Drw		sheet 3 of 4
linear	0.X	±/																				
	0.XX	±/																				
	0.XXX	±/																				
angular	0°	±/°																				
title	STRAIGHT METAL HOODS WITH 2 METAL CLAMPS																					
cat. no.	-																					



Copyright FCI.

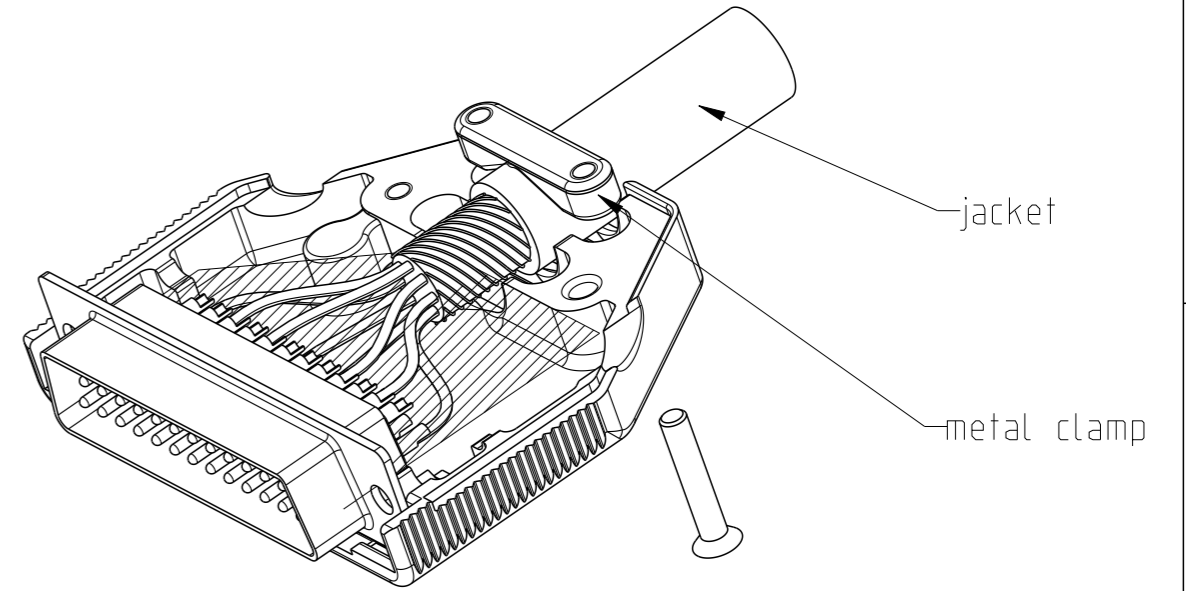
# CABLING INSTRUCTIONS

1- Strip the cable and solder or crimp the wires



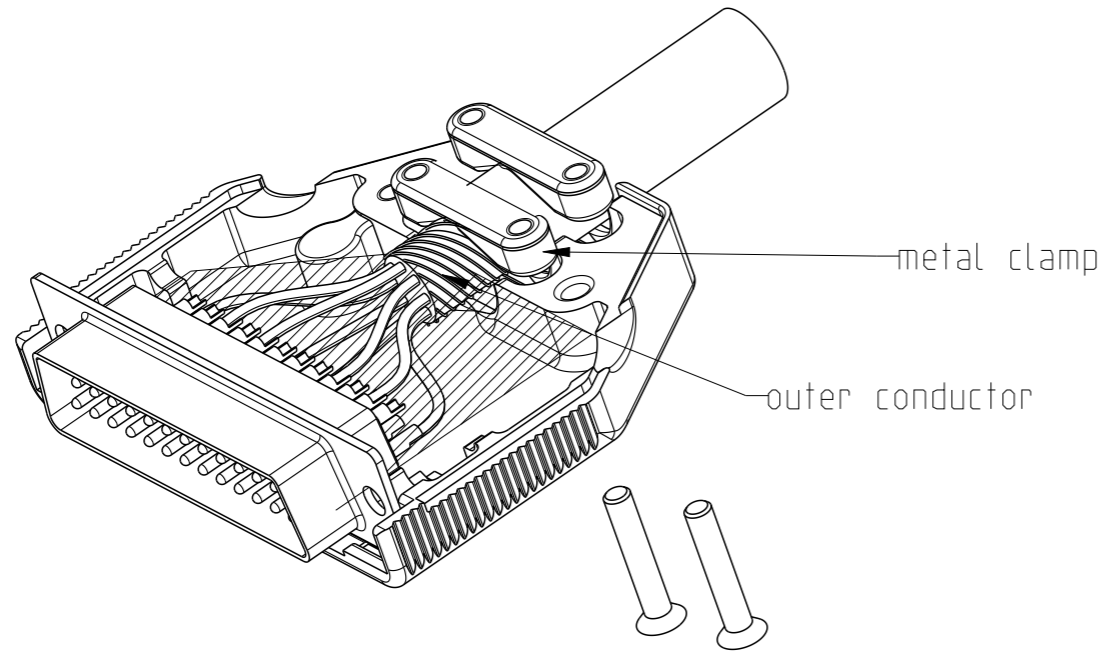
SCALE 3:2

2-Put the connector into a half hood and tighten the jacket with a metal clamp



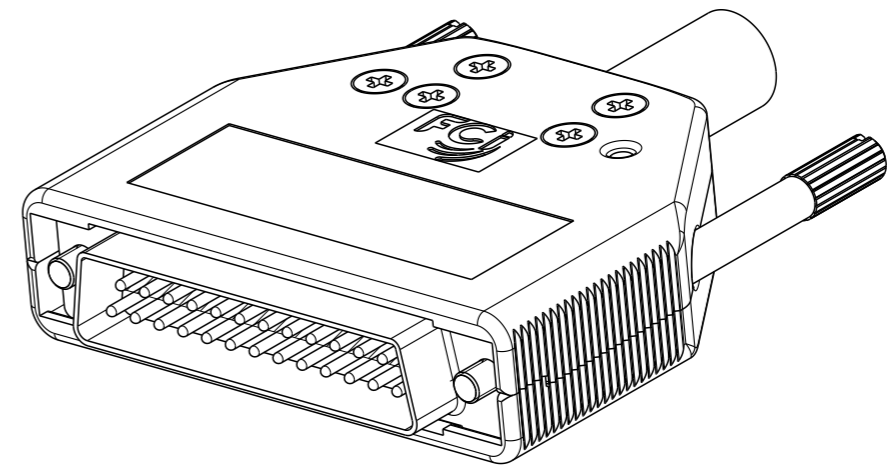
SCALE 3:2

3-To get the electrical continuity between the cable outer conductor and the hood tighten the outer conductor with the other metal clamp as shown



SCALE 3:2

4-Mount the jackscrews, the other half hood and tighten with 2 screws



Copyright FCI.

spec ref		dr	A Parrenin	2009/05/20	projection mm	size	A3	scale	1:1		
tolerance std ISO 406 ISO 1101		eng	J Dalibard	2015/09/10		product family	ecn no	ELX-B-20414-1	rel level		Released
TOLERANCES UNLESS OTHERWISE SPECIFIED		chr	J Dalibard	2015/09/10	product family		rel level		Released		
surface	linear	0.X	±/		FCI	title	STRAIGHT METAL HOODS WITH 2 METAL CLAMPS	dwg no	C-8655-1685C	rev	D
		0.XX	±/								
ISO 1302	angular	0°	±/°		www.fci.com	cat. no.	Product - Customer Drw	sheet 4 of 4			

单击下面可查看定价，库存，交付和生命周期等信息

[>>Amphenol\(安费诺\)](#)