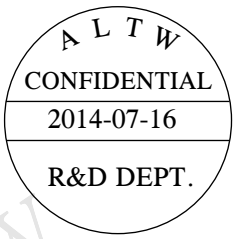
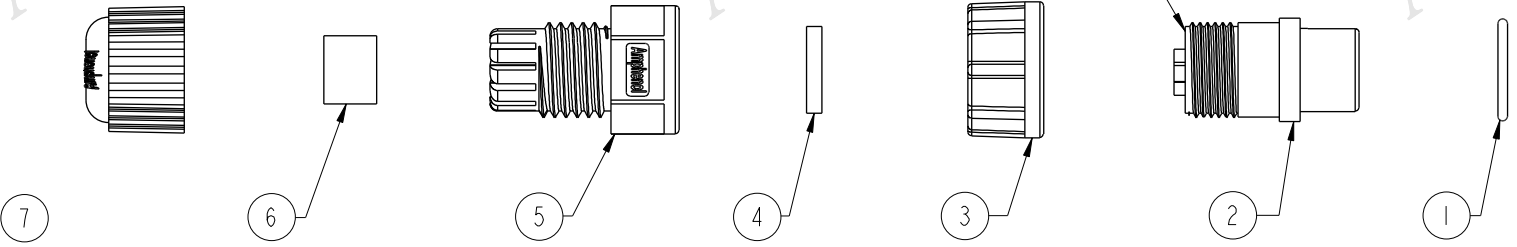


THIS DOCUMENT IS SUBJECT TO CHANGE WITHOUT NOTICE. IT IS CONFIDENTIAL AND A PROPERTY OF AMPHENOL LTW. DISCLOSURE TO THIRD PARTY HAS TO BE AUTHORIZED BY AMPHENOL LTW.

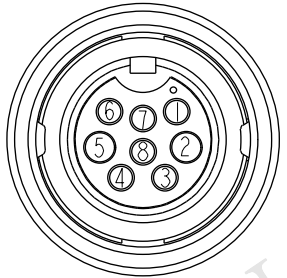
REV.	ECN NO.	DATE	SIGN	DESCRIPTION
B	ECN-0511056	2005/11/09	Tina	Change BOM No.4.5.7, Add No.8
C	LE3-680010	2006/05/25	Lin Li Qing	Change ZSE00100377 To ZSE00100103
D	LEN1470236	2014/07/16	Aric	Change New Logo.



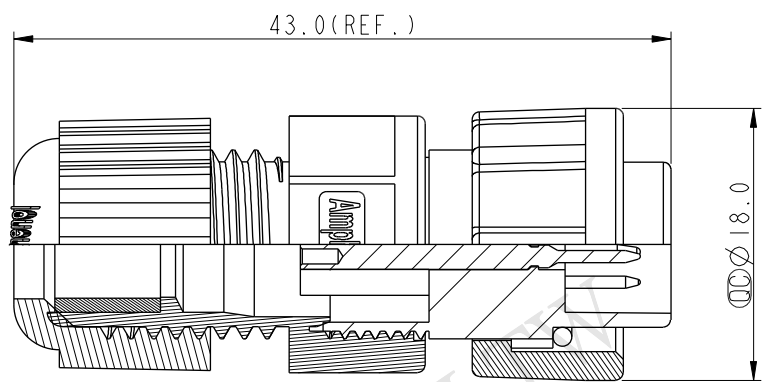
ALTW



- Notes:
- * Waterproof Rate : IP67
 - * Important Dimension.
 - * Seals for Cable OD: $\varnothing 4.5\text{mm} \sim \varnothing 6.5\text{mm}$
(防水墊圈線徑: $\varnothing 4.5\text{mm} \sim \varnothing 6.5\text{mm}$)
 - * One Set Unassembled in One PE Bag
(每一組未組裝, 放置於一個PE袋, 並封口)
 - * Housing: Nylon+GF, Black
 - * Male Pin: Copper Alloy, Gold Plated
 - * O-Ring: EPDM, Black
 - * Lock Nut: Nylon+GF, Black
 - * Gasket: EPDM, Black
 - * Seals: EPDM, Black
 - * Clamp Ring: Nylon, Black
 - * Sealing Nut: Nylon, Black
 - * Liquid Glue: Clear



Pin Assignments
Front View 前視圖



UNIT: mm		
TOLERANCE		
.X	± 0.25	
.XX	± 0.1	
.XXX	± 0.05	
ANGLES	$\pm 1^\circ$	

TITLE Standard Assy Lock 8Pin F Conn M Pin			
SCALE 1:1	SIZE A4	SHEET 1 OF 1	
REV. D	WC-REV. A.2	Inspection item	

Amphenol LTW

安費諾亮泰企業股份有限公司

ITEM NO. BDU-08BFMA-LL7001	DRAWN BY Aric	DATE 2014-07-16
DWG NO. BDU-08BFMA-LL7001	CHECKED BY Kris	DATE 2014-07-16
CUSTOMER ALTW	APPROVED BY Wen	DATE 2014-07-16

单击下面可查看定价，库存，交付和生命周期等信息

[>>Amphenol\(安费诺\)](#)