

Amphenol PCD SZ  
ORIGINAL  
PDF Format  
R&D

NOTES:

1. PRODUCT DO NOT INCLUDE CONTACT, NEED TO BUY SEPARATELY.
2. THE POWER PIN:  
2.5~4mm<sup>2</sup> CABLE P/N: EX30M4  
6 mm<sup>2</sup> CABLE P/N : EX30M6
3. THE HVIL PIN :  
0.5~0.75mm<sup>2</sup> CABLE P/N:EX16M1
4. SCOPE OF CABLE OUTSIDE DIAMETER OPTION:  
CABLE OD =11~15mm;
5. TORQUE 1:7~10N.m  $\triangle$   
TORQUE 2:10~15N.m

5. PART NUMBER DESCRIPTION:

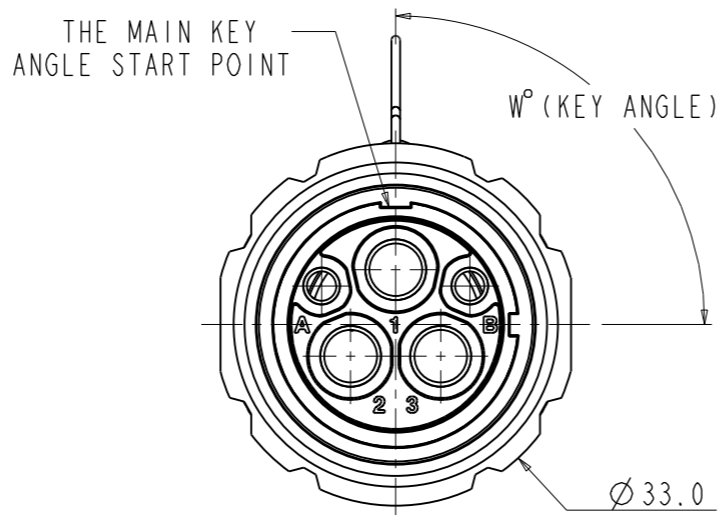
EX403 06 X M

CABLE SHIELD OPTION

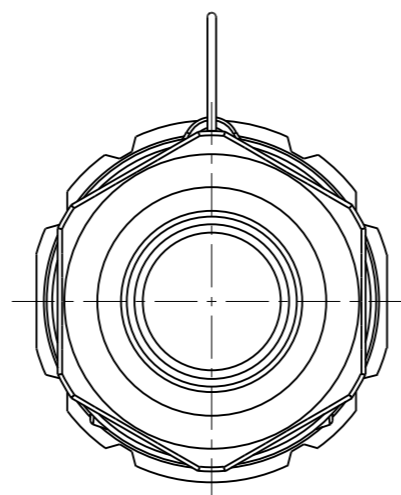
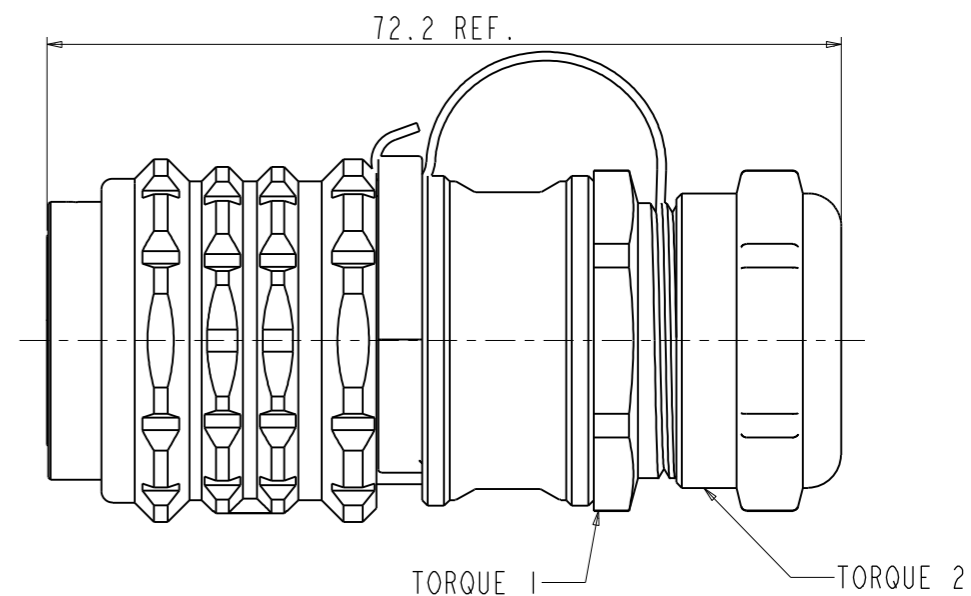
M: MULTICORE SHIELDING CABLE

KEY OF CODING OPTION

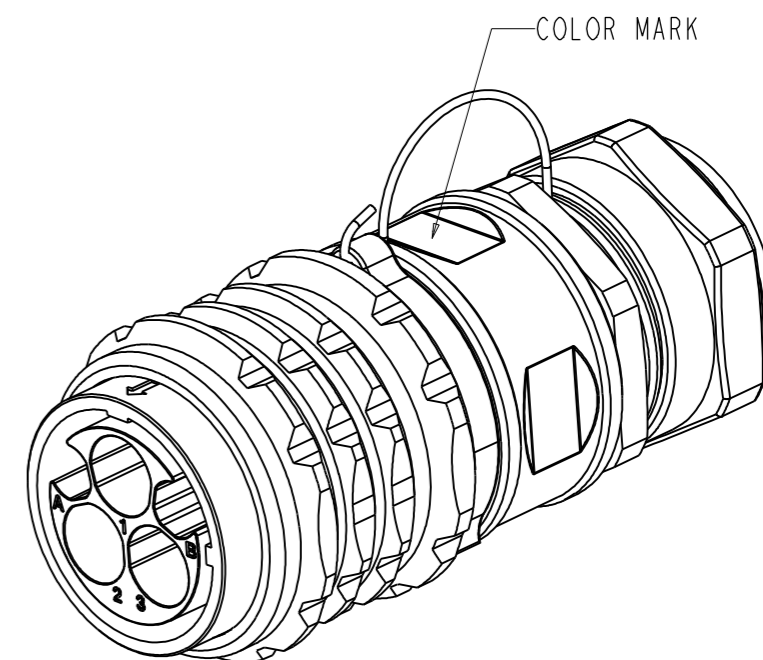
- A: KEY A & RED( $w^\circ=45^\circ$ )
- B: KEY B & BLACK( $w^\circ=90^\circ$ )
- C: KEY C & YELLOW( $w^\circ=180^\circ$ )
- D: KEY D & GREEN( $w^\circ=270^\circ$ )
- E: KEY E & BLUE( $w^\circ=315^\circ$ )



1~3 HOLES FOR  $\phi 3.0$  POWER PIN  
A, B HOLES FOR  $\phi 1.6$  HVIL PIN



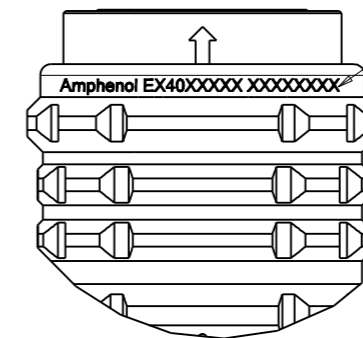
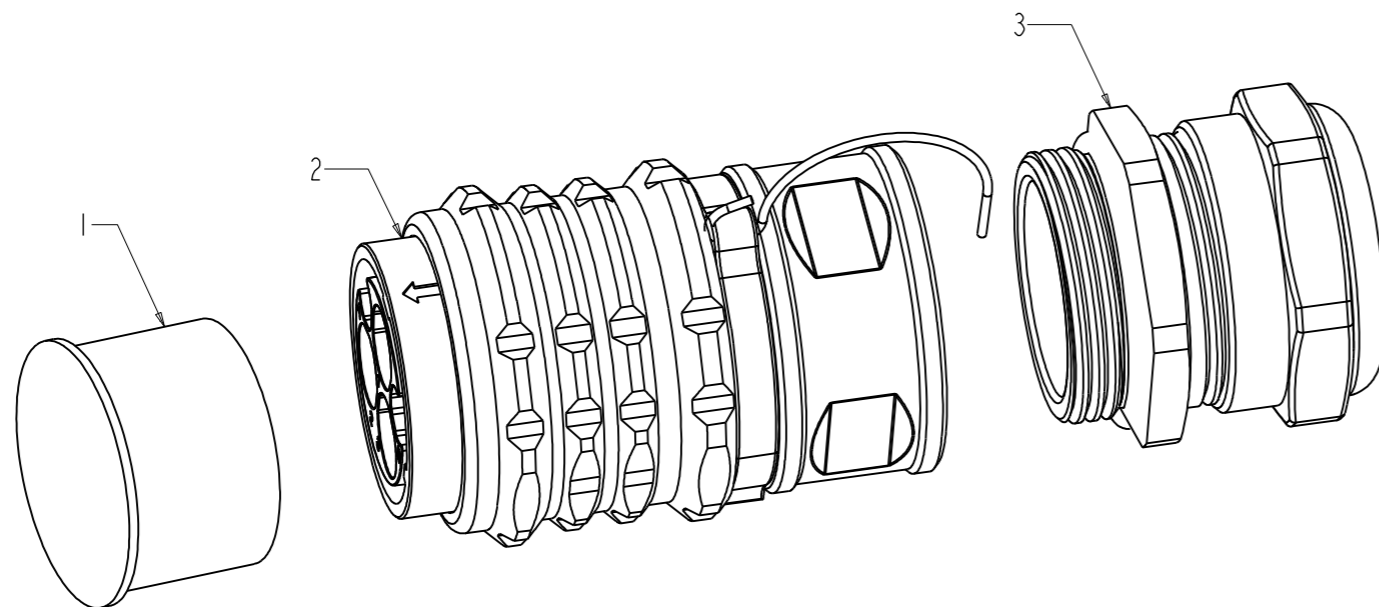
BACK VIEW



C-EX40306XM

C-EX40306XM

<b>DIMENSIONS</b> ANSI Y14.5M UNITS: MM Pro/E FILE	<b>TOLERANCES</b> .X $\pm 0.5$ .XX $\pm 0.05$ ANGLES $\pm 2^\circ$	<b>PROJECTION</b> 	<b>Amphenol PCD Shenzhen</b>			<b>EX403 SERIES PLUG</b>		
			<b>ENGR</b>			<b>SIZE A3</b>		
<b>ORIGINAL</b>	THIS DOCUMENT CONTAINS PROPRIETARY INFORMATION WHICH IS THE CONFIDENTIAL PROPERTY OF Amphenol PCD Shenzhen Co. Ltd Amphenol PCD Shenzhen Co. Ltd RESERVES THE RIGHT TO CLARIFY THIS DRAWING		<b>CHKD</b>			<b>DWG NO. C-EX40306XM</b>		<b>REV 4</b>
			<b>APPD</b>			CODE: 58982	SCALE: 3:2	SHEET 1 OF 2



LETTER DESCRIPTION:  
LOGO+P/N+THE TRACEABILITY CODE

6. TECHNICAL DATA TABLE

TECHNICAL DATA		
CURRENT RATING (6 mm <sup>2</sup> SHIELDING CABLE)	40A @ AMBIENT 70°C	+
CURRENT RATING (4 mm <sup>2</sup> SHIELDING CABLE)	32A @ AMBIENT 70°C	+
CURRENT RATING (2.5 mm <sup>2</sup> SHIELDING CABLE)	23A @ AMBIENT 70°C	+
CURRENT RATING (0.5~0.75mm <sup>2</sup> CABLE)	5A @ AMBIENT 70°C	+
RATING VOLTAGE (OVERVOLTAGE CATEGORY II POLLUTION DEGREE 2)	1000V DC	+
OPERATING TEMPERATURE	-40~125°C	
DIELECTRIC WITHSTANDING VOLTAGE	POWER CONTACT 3000V AC(RMS)	+
	HVIL CONTACT 660V AC(RMS)	+
INSULATION RESISTANCE	200MΩ MIN.@25°C NO CABLE	+
DURABILITY	50 CYCLES	◎
SHIELDING	YES	
WATERPROOF (MATED CONDITION)	IP 68 & IPX9K	+
PROTECTION LEVEL	IP2XB	+
AMBIENT TEMPERATURE	-40~70°C	
RoHS	YES	+

7. CONNECTOR SELECTION TABLE

ASSEMBLY P/N	ITEM	P/N	DESCRIPTION	Q'TY
EX40306XM	3	P01BN00307	GLAND	1
	2	SEE TABLE 1	MAIN BODY	1
	1	C422005984	DUST CAP	1

TABLE 1	P/N	DESCRIPTION
	P02B00009305	KEY E & COLOR: BLUE
	P02B00009304	KEY D & COLOR: GREEN
	P02B00009303	KEY C & COLOR: YELLOW
	P02B00009302	KEY B & COLOR: BLACK
	P02B00009301	KEY A & COLOR: RED

8. PIN CONTACTOR SELECTION TABLE  
THE PIN NEED TO BUY SEPARATELY

P/N	DESCRIPTION	Q'TY
EX16M1	HVIL PIN FOR 0.5~0.75mm <sup>2</sup> CABLE	2
EX30M4	POWER PIN FOR 2.5mm <sup>2</sup> ~4mm <sup>2</sup> CABLE	3
EX30M6	POWER PIN FOR 6mm <sup>2</sup> CABLE	3

"+" CRITICAL CHARACTERISTICS  
"◎" IMPORTANT CHARACTERISTICS

SIZE	DWG NO.	REV
A3	C-EX40306XM	4
CODE: 58982	SCALE: 3:2	SHEET 2 OF 2

单击下面可查看定价，库存，交付和生命周期等信息

[>>Amphenol\(安费诺\)](#)