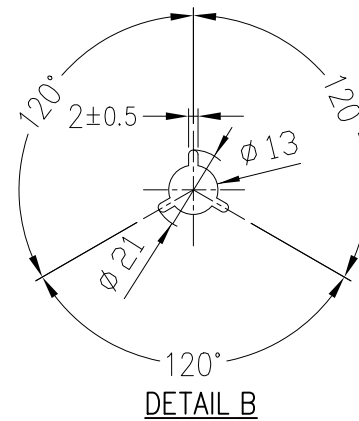
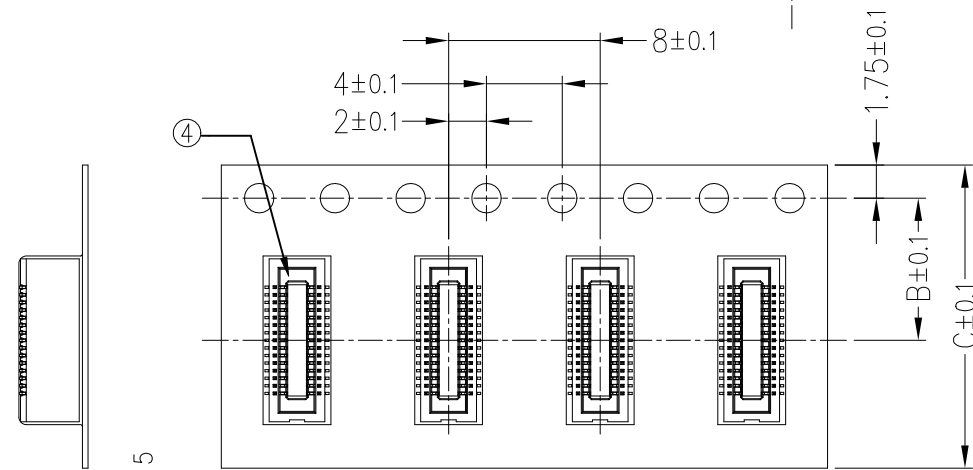
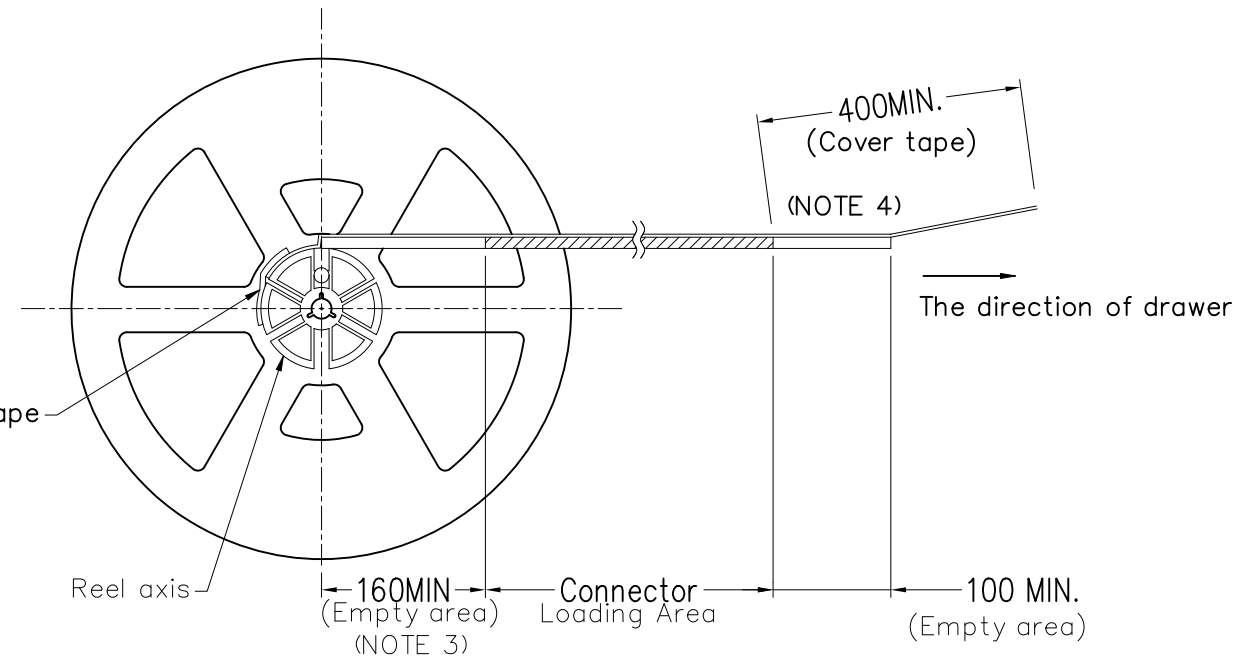
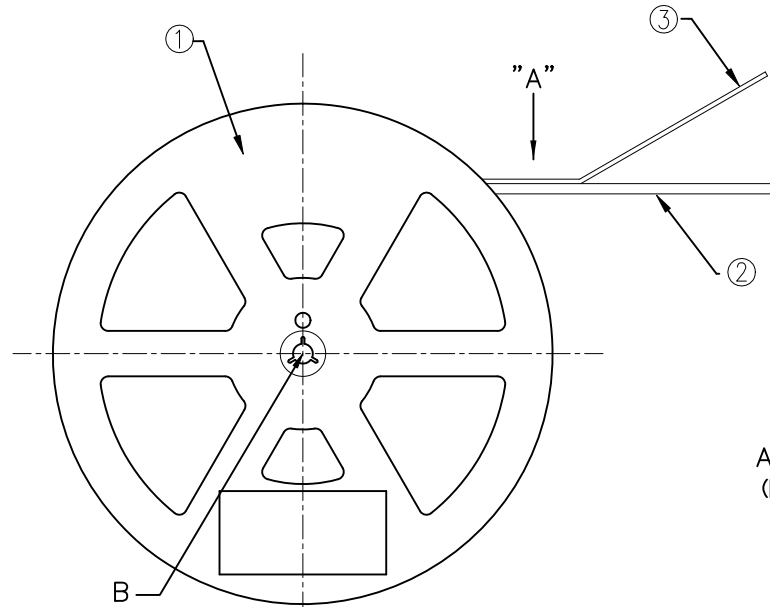
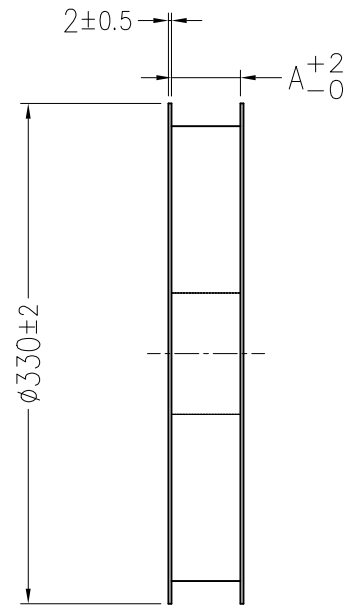


PRODUCT NO.
10142890-xxxAxEHLF



PRODUCT NUMBER LIST

PRODUCT NUMBER	CONNECTOR P/N	DIMENSIONS			
		A	B	C	D
10142890-030A3EHLF	10142890-030A3HLF	16.5	7.5	16	3.65

PARTS LIST

No.	PARTS NAME	MATERIAL	Q'TY	NOTE
1	REEL	POLYSTYRENE	1	ANTISTATIC
2	EMBOSS TAPE	A-PET	-	ANTISTATIC
3	COVER TAPE	POLYESTER	-	ANTISTATIC
4	CONNECTOR	Sheet 1	2250	SEE ABOVE TABLE

NOTE

- THIS ARTICLE CARRIES OUT THE EMBOSS TAPE PACKAGE OF THE P/N10142890 SERIES CONNECTOR.
- THE SHAPE AND DIMENSIONS OF THIS ARTICLE ARE BASED ON JIS C 0806.
(TAPING OF ELECTRONIC PARTS (SURFACE MOUNTED DEVICE))
- PRODUCT NUMBER STRUCTURE
10142890-AAA B C D HLF

HLF : HALOGEN AND LEAD FREE
PACKAGING OPTION
E : EMBOSS 8mm PITCH, REEL DIA. ø330, 2250pcs/Reel
STACK HEIGHT
3 : 3.5mm
CONTACT PLATING OPTION
A : AU FLASH
NUMBER OF CONTACTS
030 : 30POS

mat'l. code		surface ISO 1302 ✓		tolerance ISO 406 ISO 1101		projection 1101		product family BTB0.4MM Self-Alignment	
Itr		ecn no		dr		date		title	
A		/		Bob		2018-08-05		RECEP ASSY	
B		ELX-N-35266		Bob		2019-10-17		BTB0.4MM Self-Alignment	
C		ELX-N-36170		BOB		2020-03-03		dwg no 10142890	
sheet index		revision sheet		A		B		size A3	
				1~2		1~2		type Product Customer Drawing	
				1~2					

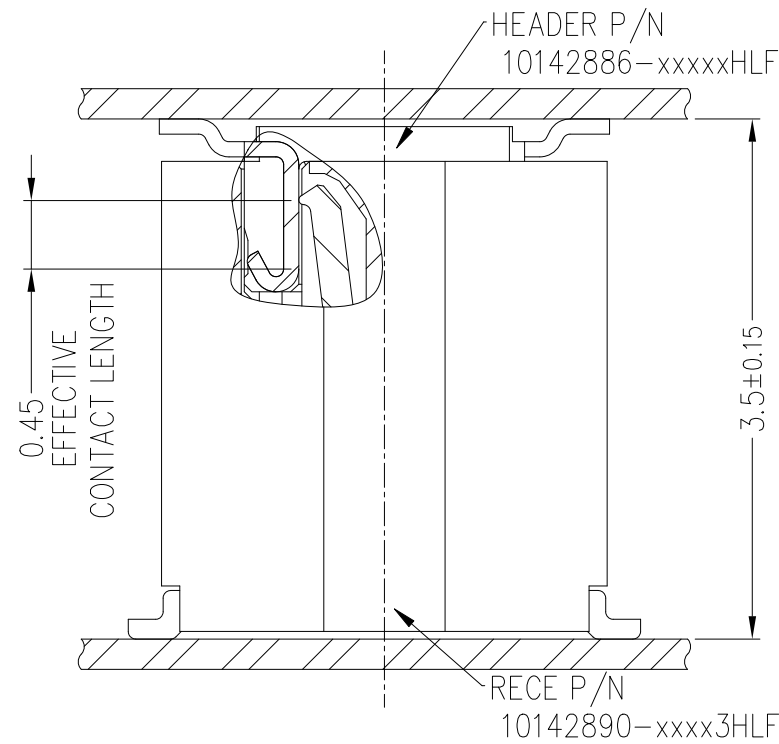
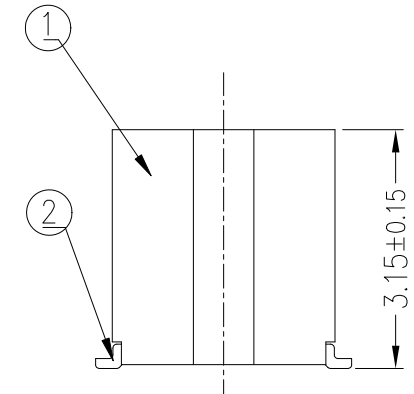
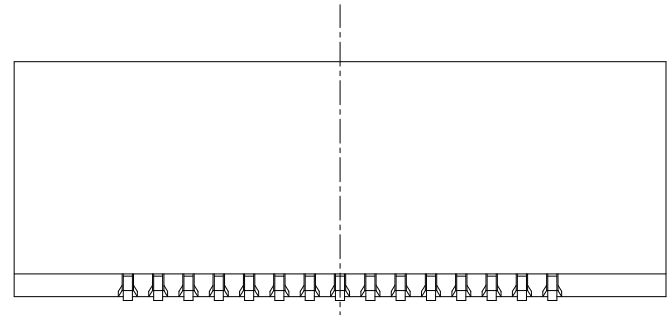
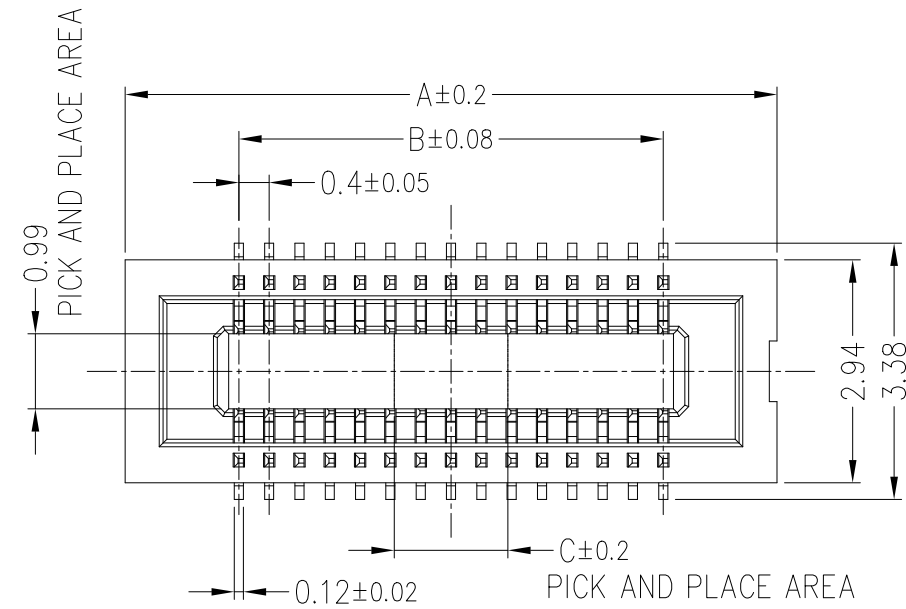


PRODUCT NO.	STACK HEIGHT
10142890-xxxA3HLF	3.5mm

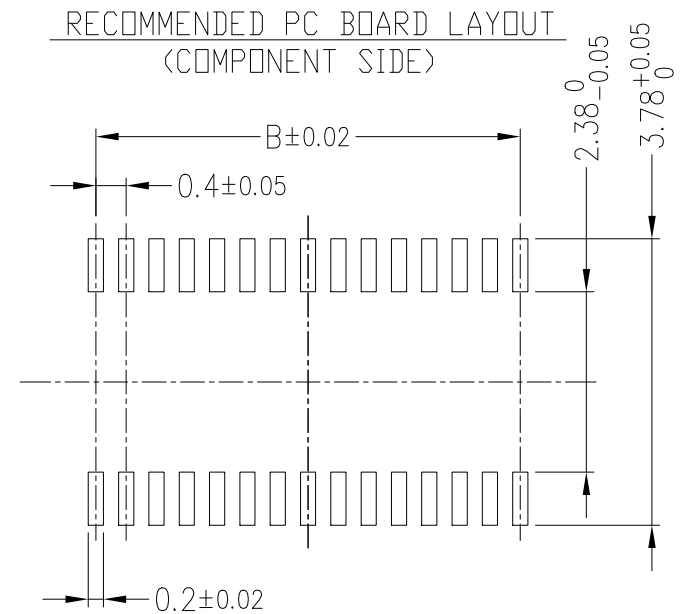
PT. NO.	PARTS NAME	MATERIAL	Q'TY	NOTE
1	HOUSING	LCP	1	COLOR BLACK / UL94V-0
2	CONTACT	PHOSPHOR BRONZE	n	PLATING CONTACT AREA Au 0.05um MIN. SOLDER AREA Au 0.05~0.15um ALL OVER Ni UNDER 3±2um

n : NUMBER OF CONTACTS

PRODUCT NO.	No OF CONTACTS	A	B	C
10142890-030A3HLF	30	8.6	5.6	1.5



X-SECTION FOR MATING



Note

- CO-PLANARITY FOR CONTACT TERMINALS MUST BE 0.1mm MAX.
- THIS PRODUCT MEETS EUROPEAN UNION DIRECTIVES AND OTHER COUNTRY REGULATIONS AS DESCRIBED IN GS-47-0004.
- THE HOUSING WILL WITHSTAND EXPOSURE TO 260°C PEAK TEMPERATURE FOR 10SECONDS IN A REFLOW SOLDERING OVEN.
- RECOMMENDED STENCIL THICKNESS IS 120um.
- RECOMMENDED STENCIL OPENING RATIO IS 80%.
- PRODUCT SPEC : GS-12-1404.
- THE DOCUMENT MAY BE CHANGED WITHOUT PRIOR NOTICE.

mat'l. code		surface	tolerance	projection	product family
ISO 1302 ✓		ISO 406	ISO 1101	BTB0.4MM Self-Alignment	
ltr	ecn no	dr	date	tolerances unless otherwise specified	title
c				mm	RECEP ASSY
angles		linear		scale 1:1	BTB0.4MM Self-Alignment
0°±3'					
dr		S.WATANABE	2018-08-06	Amphenol FCi	dwg no
enr		Bob Gu	2020-03-03		sheet 2 of 2
chr		LQ Lei	2020-03-03		10142890
appd		Tim Yao	2020-03-03		A3
sheet index		revision	C	type Product Customer Drawing	
1~2					

单击下面可查看定价，库存，交付和生命周期等信息

[>>Amphenol\(安费诺\)](#)