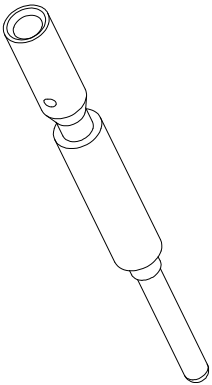
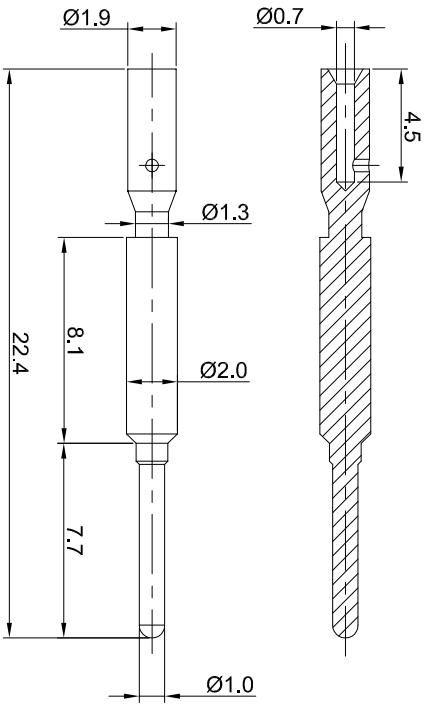


REVISIONS					
REV	ECO	DESCRIPTION	DATE	BY	APPR
B1	-	RELEASE NEW DWG FORMAT	06/16/14	TOD	TOMMY
B2	-	UPDTAED SPECIFICATION	09/14/15	TOD	TOMMY



- NOTES: UNLESS OTHERWISE SPECIFIED
1. MATERIAL: COPPER ALLOY, GOLD PLATED
  2. SPECIFICATIONS:
    - 2.1 RATED CURRENT: 10 AMPS
    - 2.2 CONTACT RESISTANCE: <5 milliohm
    - 2.3 AVAILABLE WIRE RANGE: 28AWG~24AWG
    - 2.4 ROHS COMPLIANT
  3. ALL DIMENSIONS ARE FOR REFERENCE USE ONLY.

QUANTITY	SEE PART NUMBER CHART	PART NUMBER	DESCRIPTION	ITEM
<b>MATERIALS LIST</b>				
UNLESS OTHERWISE SPECIFIED				
1) All dimensions are in millimeters.				
2) Tolerances are as follows:				
1 Pl. DEC 20.00				
2 Fractions 1/164				
3 Pl. DEC 20.08				
3) Note reference =				
MATERIAL SPECIFICATIONS:				
CUSTOMER:				
APPROVAL:				
ENGINEER:				
CHECKED:				
DRAWN:				
DATE: 06/16/14				
SIGNATURES				
DATE				
INFORMATION ONLY: DESIGN FEATURES, SPECIFICATIONS AND PERFORMANCE DATA OF REPRODUCTION ARE LIMITED. ALL THE APPLICABLE INFORMATION AND RIGHTS OF MANUFACTURING VARIATIONS.				
SCALE: NONE				
SIZE: B				
TYPE: C-				
DWG NO: SC000146				
REVISION: B2				
Pin contact, 20#, Chimp 28-24AWG				
SHEET 1 OF 1				

REV: B2	SH: 1	DWG NO: SC000146	DATE: 09/14/15	TITLE: Pin contact, 20#, Chimp 28-24AWG
OF: 1	OF: 1			

单击下面可查看定价，库存，交付和生命周期等信息

[>>Amphenol\(安费诺\)](#)