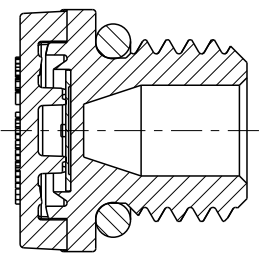
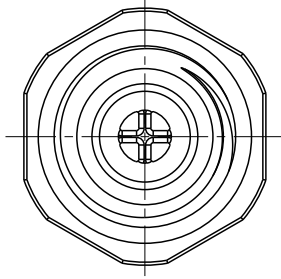
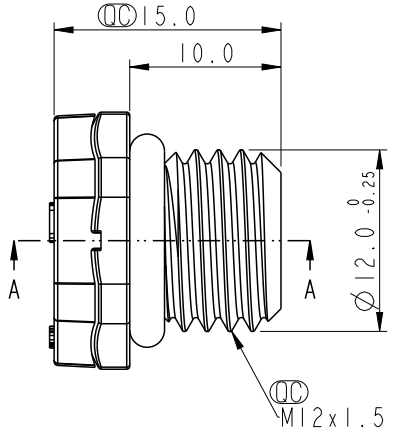
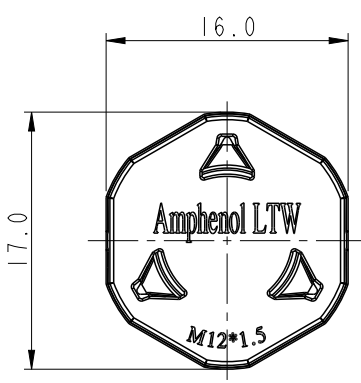
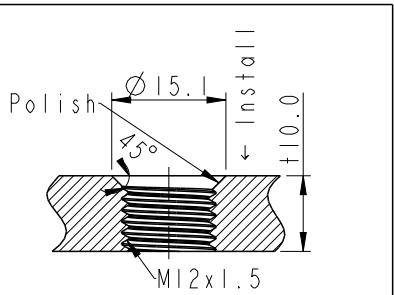
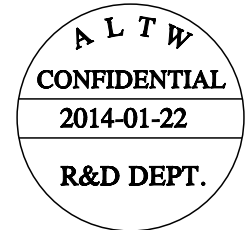


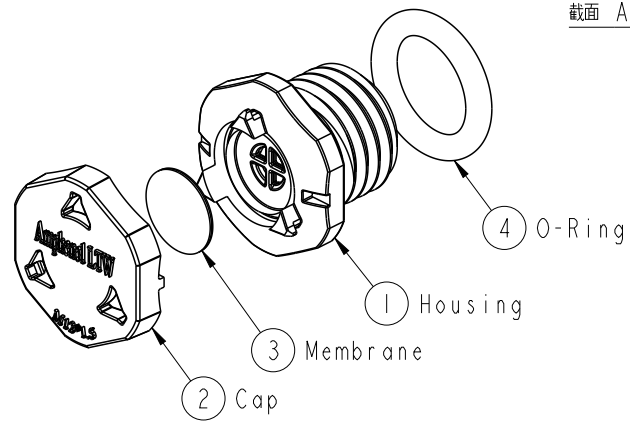
REV.	ECN NO.	DATE	SIGN	DESCRIPTION



截面 A-A



Recommended Panel Cut-Out



Note:
 * \varnothing Important Dimension.
 * Waterproof Rate: IP68, IP69K
 * Housing: mPPE, UV Resistance, Black
 * Cap: mPPE, UV Resistance, Black
 * Membrane: PTFE
 * O-Ring: Silicone, Gray
 * Air Permeability: 450ml/min @70mbar
 * Water Entry Pressure: >29KPa

UNIT: mm		
TOLERANCE		
.X	±0.25	
.XX	±0.1	
.XXX	±0.05	
ANGLES	±1°	

TITLE M12x1.5 Vent			
SCALE 2:1	SIZE A4	SHEET 1 OF 1	
REV. A	WC-REV. A.7	\varnothing : Inspection item	

Amphenol LTW
 安費諾亮泰企業股份有限公司

ITEM NO. VENT-BJ004	DRAWN BY Kelly-gaotong	DATE 2014-01-22
DWG NO. VENT-BJ004	CHECKED BY Tony	DATE 2014-01-22
CUSTOMER ALTW	APPROVED BY Victor	DATE 2014-01-22

THIS DOCUMENT IS SUBJECT TO CHANGE WITHOUT NOTICE. IT IS CONFIDENTIAL AND A PROPERTY OF AMPHENOL LTW. DISCLOSURE TO THIRD PARTY HAS TO BE AUTHORIZED BY AMPHENOL LTW.

单击下面可查看定价，库存，交付和生命周期等信息

[>>Amphenol\(安费诺\)](#)