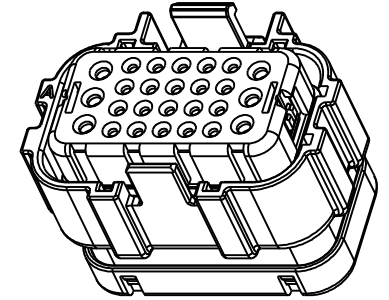
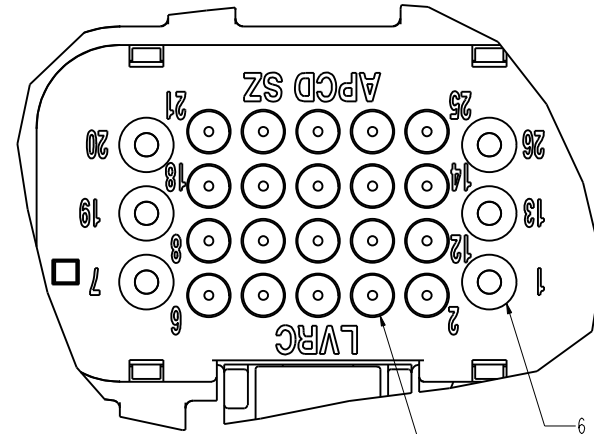
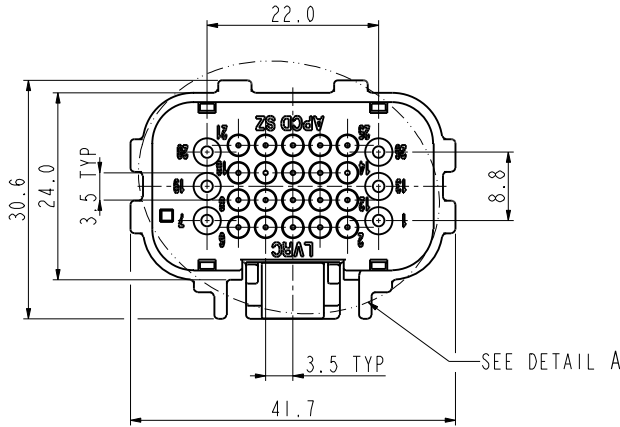
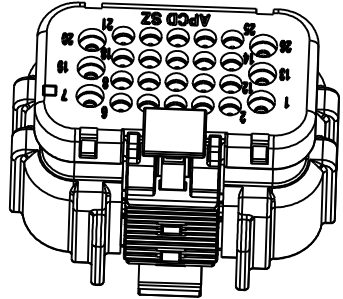
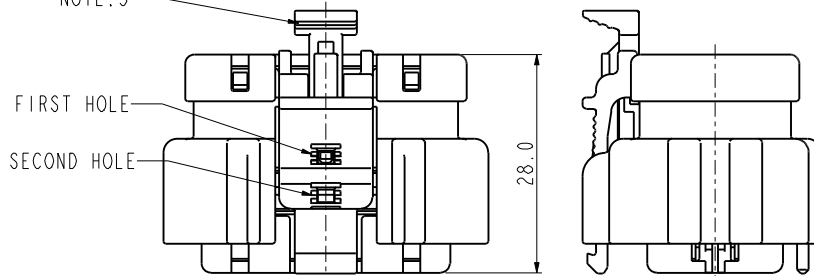


REV	ECN	DESCRIPTION	DATE	MODIFIED
A	C3003	RELEASE		LUIK.PENG

Amphenol PCD SZ
ORIGINAL
PDF Format
R&D



NOTE: 3



DETAIL A
SCALE 3:1

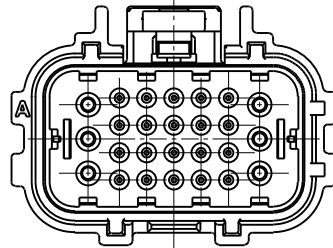
20 X SIGNAL

6 X POWER

C-LVRCF26PCX

C-LVRCF26PCX

安费诺精密连接器(深圳)有限公司
Amphenol PCD Shenzhen
受控文件
2018年10月11日



✦: IS CRITICAL CHARACTERISTIC SYMBOL, ◎: IS IMPORTANT CHARACTERISTIC SYMBOL.

TECHNICAL DATA		SPECIAL CHARACTERISTICS SYMBOL
VOLTAGE RATING	250VAC/300VDC	✦
CURRENT RATING	POWER: 13A (18~14AWG) SIGNAL: 5A (22A~18AWG)	✦
WIRE RANGE	POWER: WIRE INSULATION OD: 2.2~3.0MM; SIGNAL: WIRE INSULATION OD: 1.35~2.5MM.	◎
WATERPROOF (MATED CONDITION)	IP 67	✦
OPERATION TEMP.	-40~+125°C	◎
MAX MATING CYCLES	100 TIMES	◎

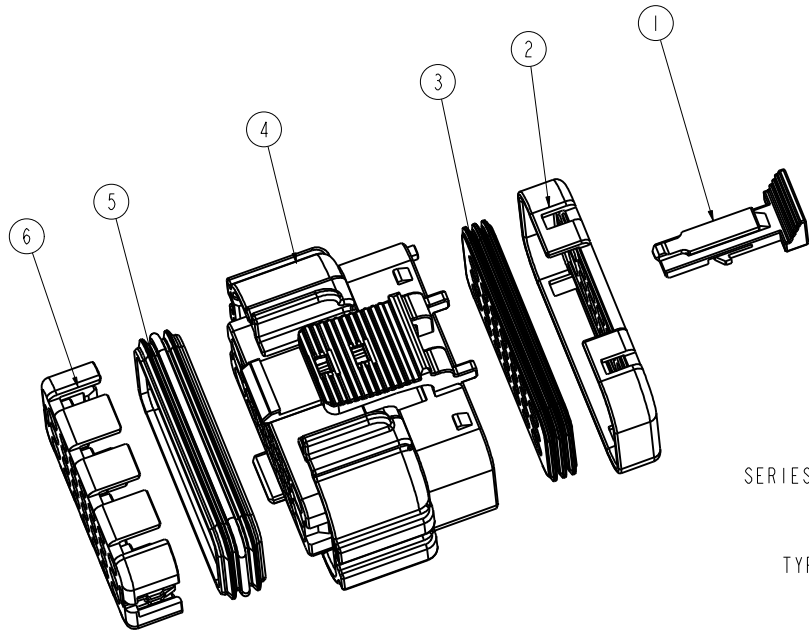
NOTES:

- MATE CONTACT AND SEAL SEE BELOW TABLE, CONTACT AND SEAL SHOULD BE ORDEED SEPARATELY.
- MATE CONNECTOR P/N: LVRCM26SCRX.
- THE FORMER CONVEX SETS OF LOCK HOUSING IN THE FIRST HOLE SPACING.
- ✦ ROHS COMPLIANCE.

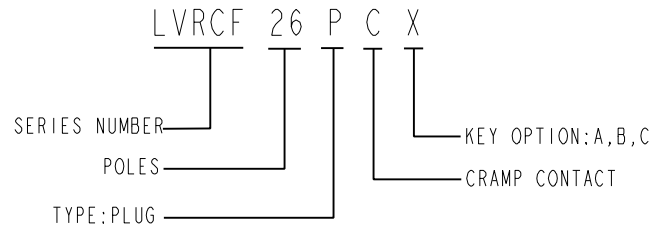
USED WITH CONTACT AND SEAL TYPE

TERMINAL TYPE	CONTACT P/N	SEAL P/N
POWER	LVRC16PC01S	LVRC16LP
SIGNAL	LVRC20PC01S	LVRC20LP

DIMENSIONS	TOLERANCES	PROJECTION	TITLE
ANSI Y14.5M UNITS: MM Pro/E FILE	.X ±0.5 .XX ±0.05 ANGLES ±3.0°		Amphenol Pcd Shenzhen ENGR LUIK.PENG Jan-22-18 CHKD <i>Jouk</i> APPD <i>Derek</i>
ORIGINAL	THIS DOCUMENT CONTAINS PROPRIETARY INFORMATION WHICH IS THE CONFIDENTIAL PROPERTY OF AMPHENOL PCD SHENZHEN		PLUG OF 26 PIN CONNECTOR
	SIZE A3	DWG NO. C-LVRCF26PCX	REV A
	CODE: 58982	SCALE: 3:2	SHEET 1 OF 2

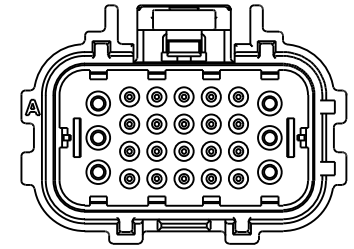


PART NUMBERING SCHEME

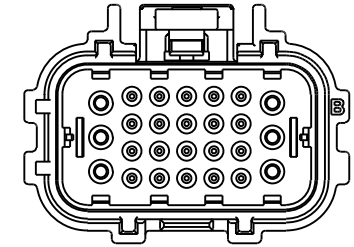


安费诺精密连接器(深圳)有限公司
Amphenol PCD Shenzhen
受控文件
2018年10月11日

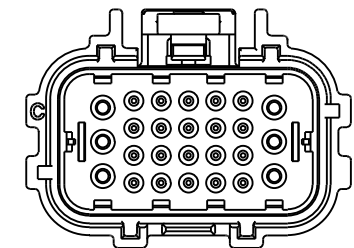
LVRCF26PCX (X=A, B, C)	6	INSERT HOUSING, PA66 GRAY	1
	5	SEAL OF PLUG, SR RED	1
	4	PLUG HOUSING, PA66 BLACK, KEY C	1
		PLUG HOUSING, PA66 BLACK, KEY B	1
		PLUG HOUSING, PA66 BLACK, KEY A	1
	3	RUBBER, SR RED	1
	2	COVER, PA66 BLACK	1
	1	LOCK HOUSING, PA66 RED	1
P/N	ITEM	DESCRIPTION	QTY



KEY A
LVRCF26PCA
MATE CONNECTOR P/N: LVRCM26SCRA.



KEY B
LVRCF26PCB
MATE CONNECTOR P/N: LVRCM26SCRB.



KEY C
LVRCF26PCC
MATE CONNECTOR P/N: LVRCM26SCRC.

SIZE A3	DWG NO. C-LVRCF26PCX	REV A
CODE: 58982	SCALE: 3:2	SHEET 2 OF 2

单击下面可查看定价，库存，交付和生命周期等信息

[>>Amphenol\(安费诺\)](#)