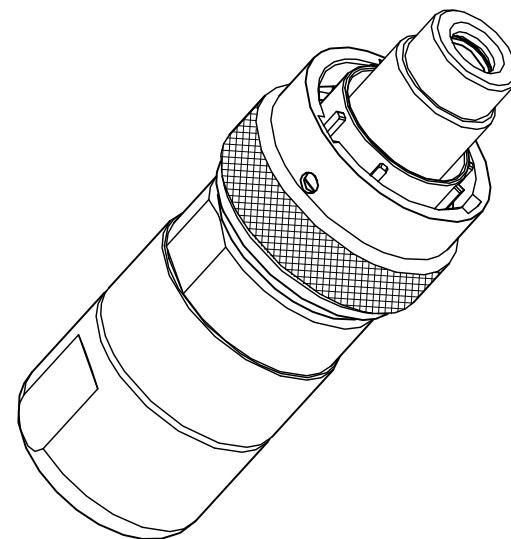
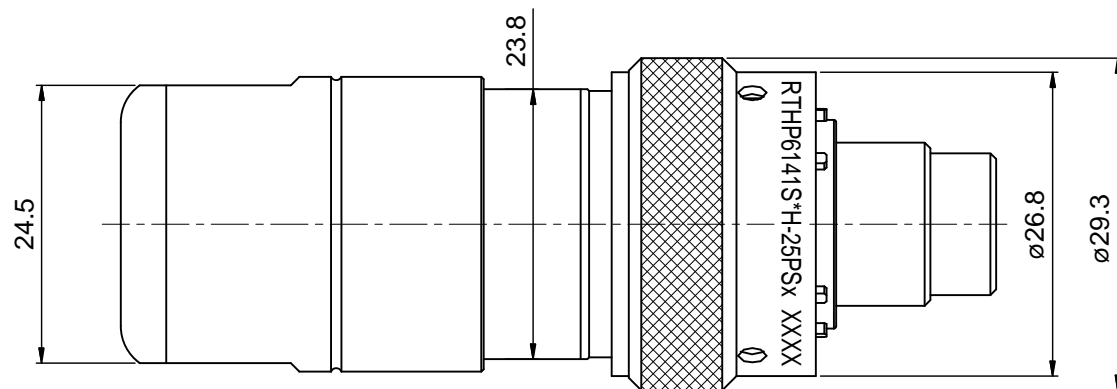
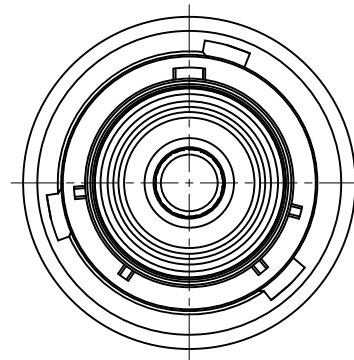
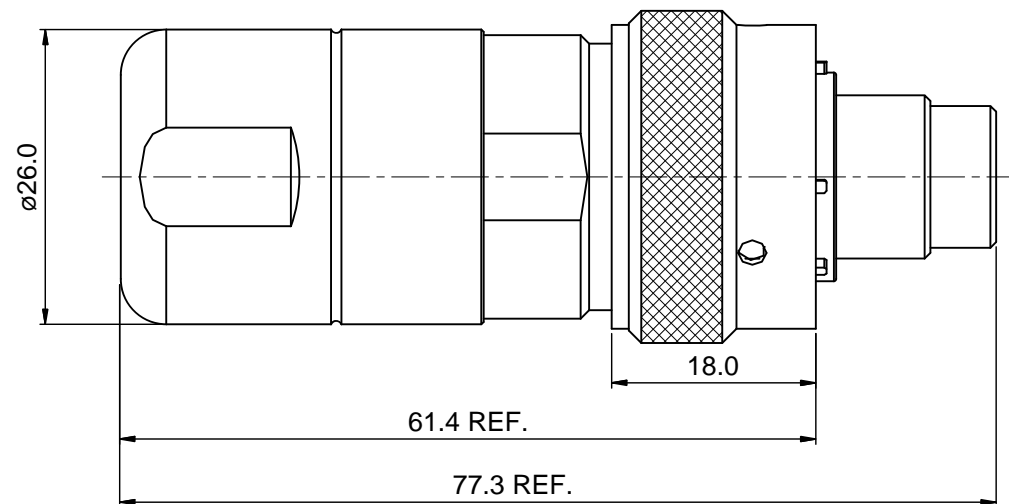


REVISIONS					
REV	ECO	DESCRIPTION	DATE	BY	APPR
B1	-	RELEASE NEW DWG FORMAT	08/14/14	DRACK	TOMMY



**NOTES:**

- MATERIAL:**
  - HOUSING BODY: ZINC DIE-CAST, NICKEL PLATED
  - COUPLING NUT: AL ALLOY, NICKEL PLATED
  - INSULATION INSERT: PA66,UL94 V0
  - CONTACT: COPPER ALLOY, SILVER PLATED
  - SEAL: SILICONE RUBBER
- SPECIFICATIONS:**
  - CURRENT RATING: 120 AMPS MAX.
  - VOLTAGE RATING: 630 V AC/DC
  - OPERATING TEMPERATURE: -40°C TO +125°C
  - DIELECTRIC WITHSTANDING VOLTAGE: LESS THAN 2 MILLIAMPS CURRENT IEAKAGE @ 5000 VOLTS AC
  - DEGREE OF PROTECTION: IP67 (MATED CONDITION)
  - DEGREE OF POLLUTION: 3 PER UL840
  - OVERVOLTAGE CATEGORY: III PER UL840
  - MATING CYCLE DURABILITY: >100 CYCLES
  - RoHS COMPLIANT
- ALL DIMENSIONS ARE FOR REFERENCE USE ONLY.
- \*\*\* DENOTE KEY POSTION OF "N","W","X","Y" OR "Z".
- CONTACT P/N: HS25BCS

KEY POS	PART NO.	Cable OD Range
N	RTHP6141SNH-25PS2	13.5~14.0 mm
W	RTHP6141SWH-25PS2	
X	RTHP6141SXH-25PS2	
Y	RTHP6141SYH-25PS2	
Z	RTHP6141SZH-25PS2	

SEE PART NUMBER		CHART		DESCRIPTION		ITEM
QUANTITY	PART NUMBER					
<b>MATERIALS LIST</b>						
UNLESS OTHERWISE SPECIFIED 1) All dimensions are in metric(mm). 2) Tolerances are as follows: 1 PL DEC ±0.30 2 PL DEC ±0.15 3 PL DEC ±0.08 3) Note reference =		SIGNATURES DRAWN: Drack CHECKED: ENGINEER: APPROVAL:		DATE 08/14/14		<h1>Amphenol</h1> Sine Systems - www.amphenol-sine.com 44724 Morley Drive Clinton Township, MI 48036
MATERIAL SPECIFICATIONS:		CUSTOMER:		ECO-MATE, PLUG, 6mm RADSOK, CRIMP TYPE, SHIELDING, CORD GRIP		
PROCESS SPECIFICATIONS:		THIS DRAWING IS SUPPLIED FOR INFORMATION ONLY. DESIGN FEATURES, SPECIFICATIONS AND PERFORMANCE DATA SHOWN HEREON ARE THE PROPERTY OF THE AMPHENOL CORPORATION. NO RIGHTS OF REPRODUCTION ARE IMPLIED. ALL DIMENSIONS ARE SUBJECT TO NORMAL MANUFACTURING VARIATIONS.		SIZE <b>B C-</b>	DWG NO. <b>RTHP6141S*H-25PSx</b>	REVISION <b>B1</b>
NEXT ASSY:		SCALE: <b>3 : 2</b>		SHEET <b>1</b> OF <b>1</b>		

TITLE: ECO-MATE, PLUG, 6mm RADSOK, CRIMP TYPE, SHIELDING, CORD GRIP  
DWG NO.: RTHP6141S\*H-25PSx  
REV: B1  
SH: 1  
OF: 1

单击下面可查看定价，库存，交付和生命周期等信息

[>>Amphenol\(安费诺\)](#)