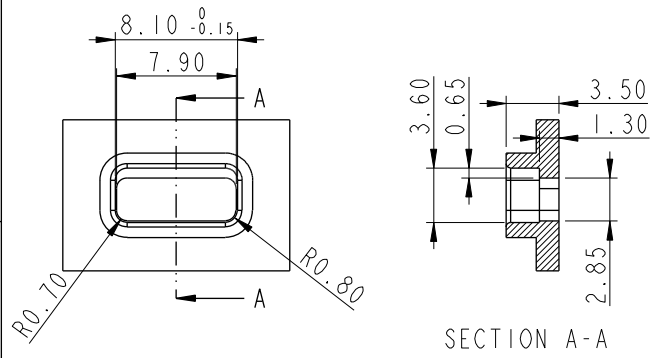


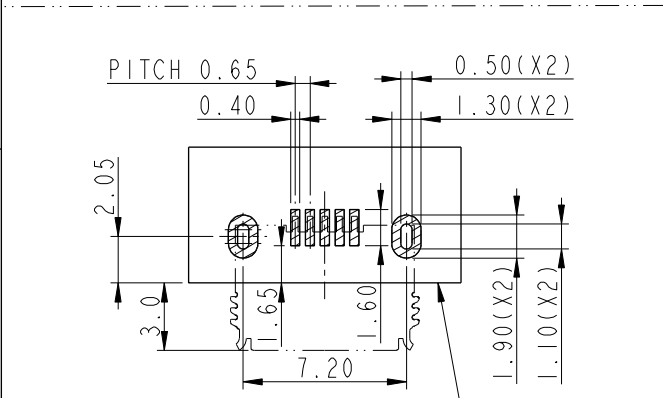
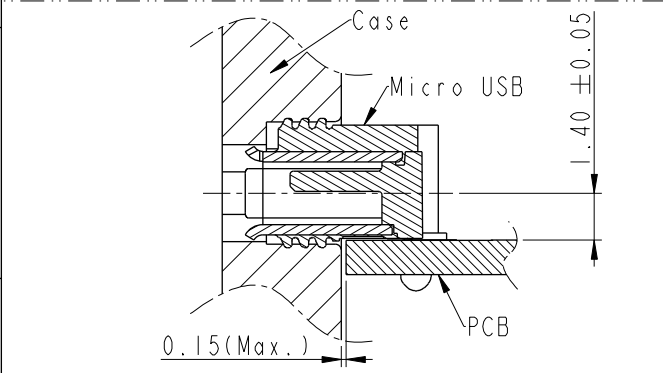
THIS DOCUMENT IS SUBJECT TO CHANGE WITHOUT NOTICE. IT IS CONFIDENTIAL AND A PROPERTY OF Amphenol LTW. DISCLOSURE TO THIRD PARTY HAS TO BE AUTHORIZED BY Amphenol LTW.

REV.	ECN NO.	DATE	SIGN	DESCRIPTION
A	Initial Release	2016/07/25	Jason Yu	New Item
B	LEN1681212~5	2016/08/18	Jason Yu	Add Dimension
C	LEN1790259~62	2017/09/15	Ruru	RoHS Label and blue and white label merger

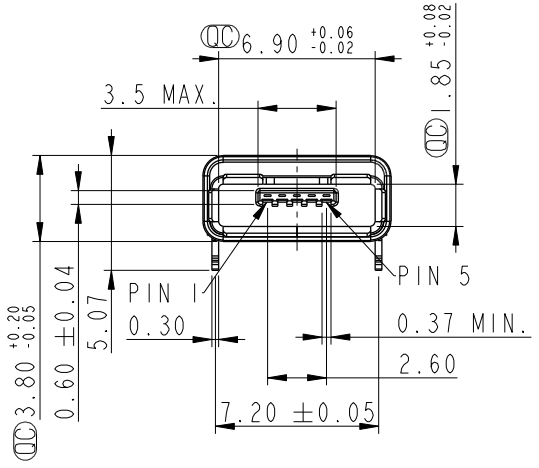
**ALTW**  
**CONFIDENTIAL**  
 2017-09-15  
**R&D DEPT.**



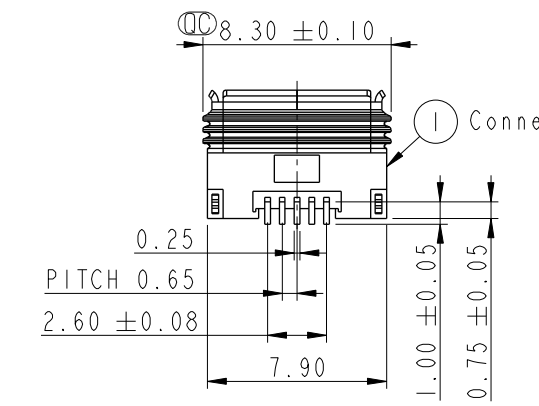
TOLERANCE Recommended Case Cut Out  
 .XX±0.05 SCALE 2:1



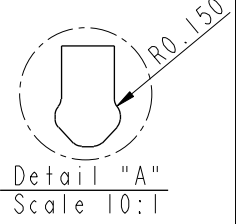
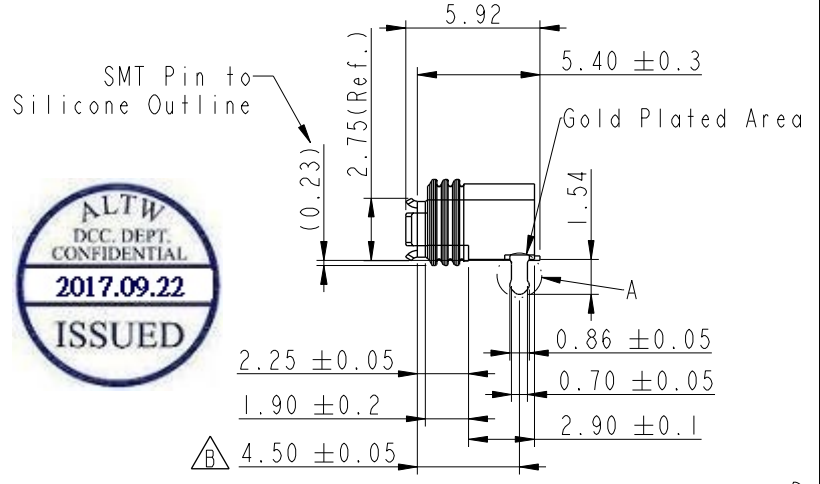
TOLERANCE .XX±0.05  
 PCB Layout SCALE 2:1  
 PCB front edge



MUC-20PFFR-JSXX02



**ALTW**  
 DCC. DEPT.  
 CONFIDENTIAL  
 2017.09.22  
**ISSUED**



- †70: 1PX7 ( 1M depth of water in 30min)
- †8A: 1PX8 ( 1M depth of water in 24hrs)
- †8B: 1PX8 ( 5M depth of water in 24hrs)
- †8C: 1PX8 (10M depth of water in 3hrs)

- Note:
- \* Ⓞ Important Dimensions To Check
  - \* Current: 1&5pin(1.8A), 2~4 pin(1.0A)
  - \* Housing: Nylon, Black
  - \* Terminal: Copper Alloy, Gold Plated
  - \* Shell: Stainless, Gold Plated
  - \* Inner Gasket: Silicone, Transparent
  - \* Outside Gasket: Silicone, Transparent
  - \* PCB Thickness: 1.2 MAX.
  - \* For Micro USB A & B type plug use
  - \* SMD Temperature & Time: 260°C / 5 sec

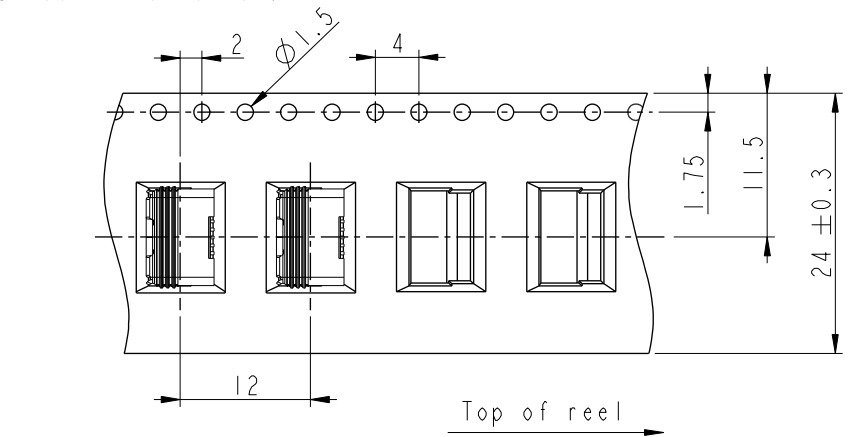
UNIT: mm			TITLE WATERPROOF MICRO-AB USB PANEL 20MAB F CONN JACK LENGHT PIN			
TOLERANCE .X ±0.25 .XX ±0.1 .XXX ±0.05 ANGLES ±1°	SCALE 3:1	SIZE A4	SHEET 1	OF 4	REV. C	WC-REV. A.6
			Ⓞ: Inspection item			

**Amphenol LTW**  
 安費諾亮泰企業股份有限公司

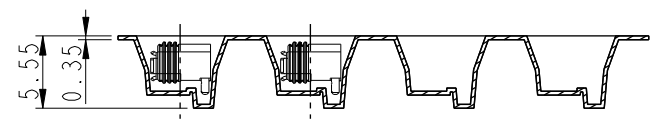
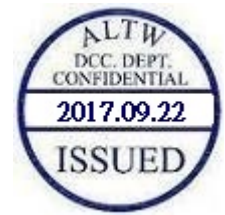
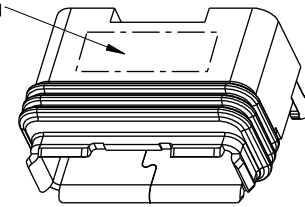
ITEM NO	DRAWN BY	DATE
DWG NO MUC-20PFFR-JSXX02	Ruru	2017-09-15
CUSTOMER ALTW	CHECKED BY Rita	DATE 2017-09-15
	APPROVED BY Max	DATE 2017-09-15

THIS DOCUMENT IS SUBJECT TO CHANGE WITHOUT NOTICE. IT IS CONFIDENTIAL AND A PROPERTY OF Amphenol LTW. DISCLOSURE TO THIRD PARTY HAS TO BE AUTHORIZED BY Amphenol LTW.

Tape & Reel Information:



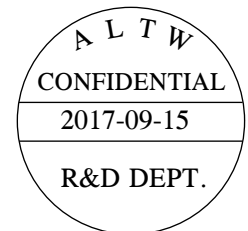
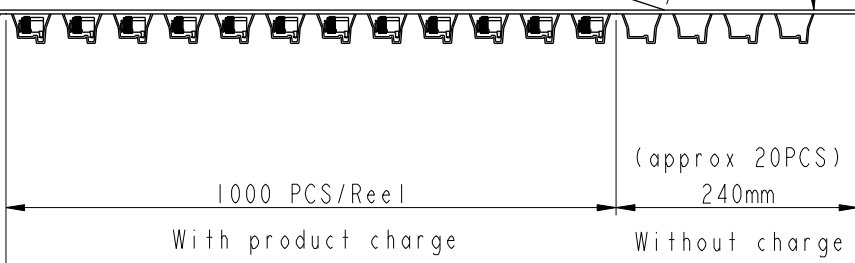
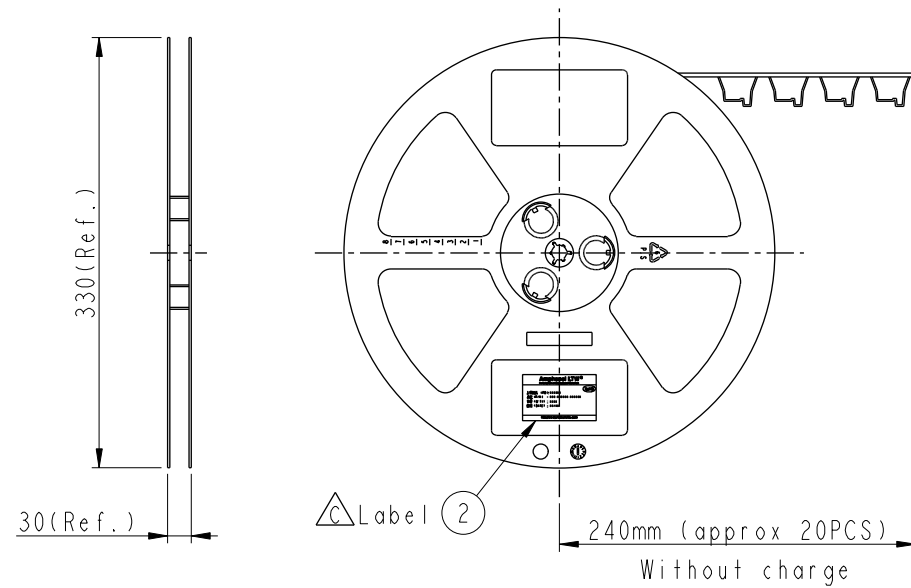
SMT Nozzle Area  
(6.0x2.0mm)



Wide cover tape ground  
out periphery 1 turn

Peeling strenght 0.1~1.3N Max.  
(300±10mm/min)  
Peeling angle  
165~180°

Top of reel



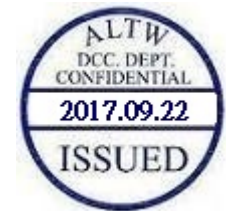
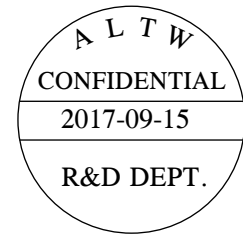
UNIT: mm		
TOLERANCE		
.X	±0.25	
.XX	±0.1	
.XXX	±0.05	
ANGLES	±1°	

TITLE WATERPROOF MICRO-AB USB PANEL 20MAB F CONN JACK LENGHT PIN			
SCALE Free	SIZE A4	SHEET 2 OF 4	
REV. C	WC-REV. A.6	QC: Inspection item	

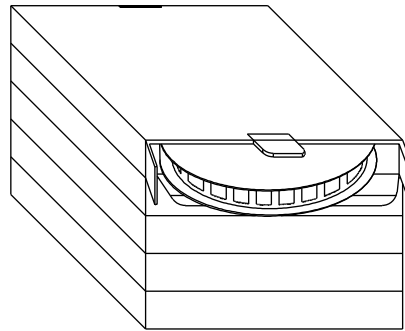
**Amphenol LTW**  
安費諾亮泰企業股份有限公司

ITEM NO	DRAWN BY Ruru	DATE 2017-09-15
DWG NO MUC-20PFFR-JSXX02	CHECKED BY Rita	DATE 2017-09-15
CUSTOMER ALTW	APPROVED BY Max	DATE 2017-09-15

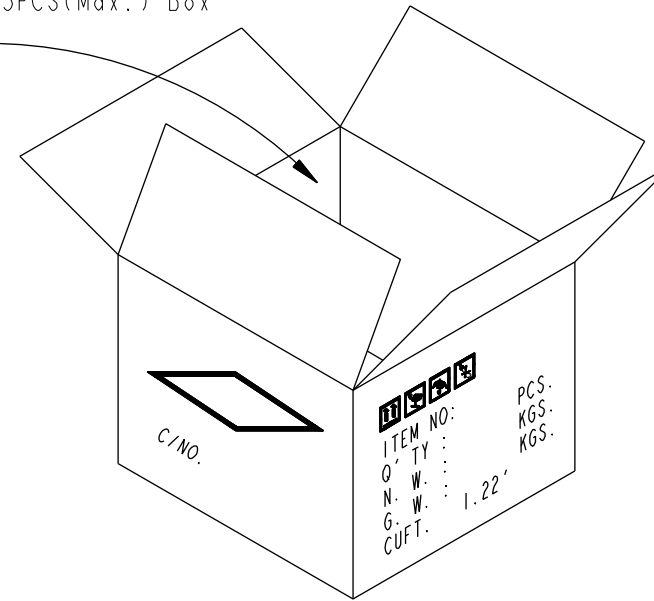
Package :



One Carton can put in the 5PCS(Max.) Box



1000 PCS(Connector)/Tape&Reel, Put in a Box



(5,000 PCS/Carton)

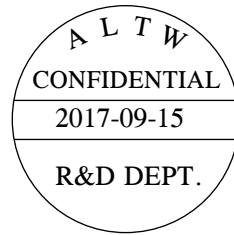
UNIT:mm		TITLE WATERPROOF MICRO-AB USB PANEL 20MAB F CONN JACK LENGHT PIN	
TOLERANCE .X ±0.25 .XX ±0.1 .XXX ±0.05 ANGLES ±1°	SCALE Free	SIZE A4	SHEET 3 OF 4
REV. C	WC-REV. A.3	QC: Inspection item	

**Amphenol LTW**  
安費諾亮泰企業股份有限公司

ITEM NO	DRAWN BY Ruru	DATE 2017-09-15
DWG NO MUC-20PFFR-JSXX02	CHECKED BY Rita	DATE 2017-09-15
CUSTOMER ALTW	APPROVED BY Max	DATE 2017-09-15

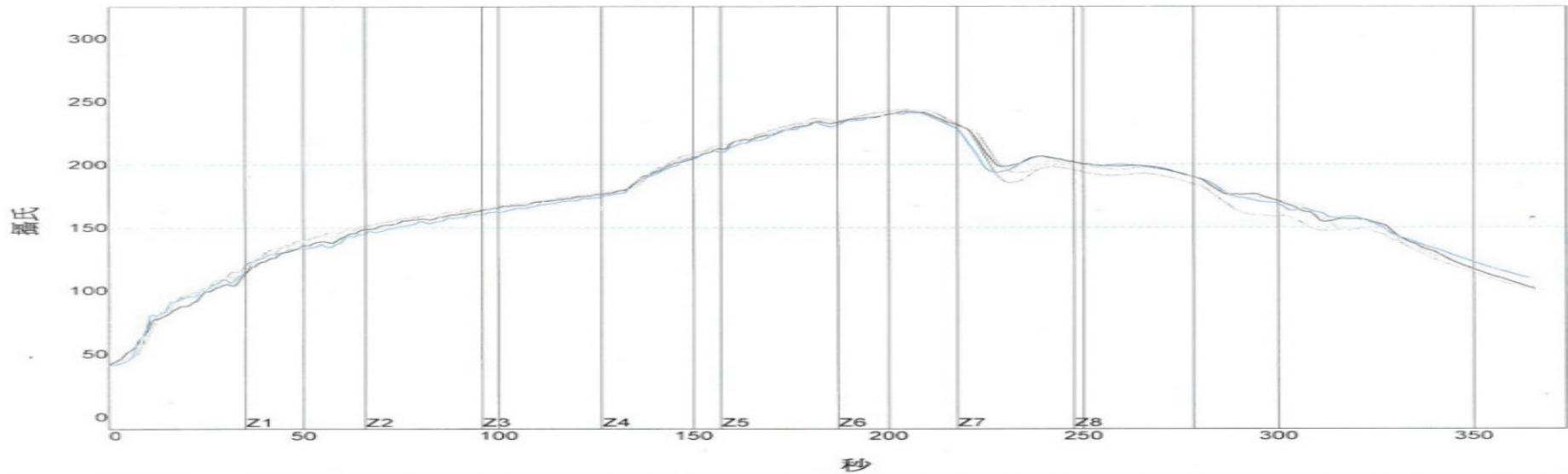
THIS DOCUMENT IS SUBJECT TO CHANGE WITHOUT NOTICE. IT IS CONFIDENTIAL AND A PROPERTY OF Amphenol LTW. DISCLOSURE TO THIRD PARTY HAS TO BE AUTHORIZED BY Amphenol LTW.

For SMT Process Recommend:



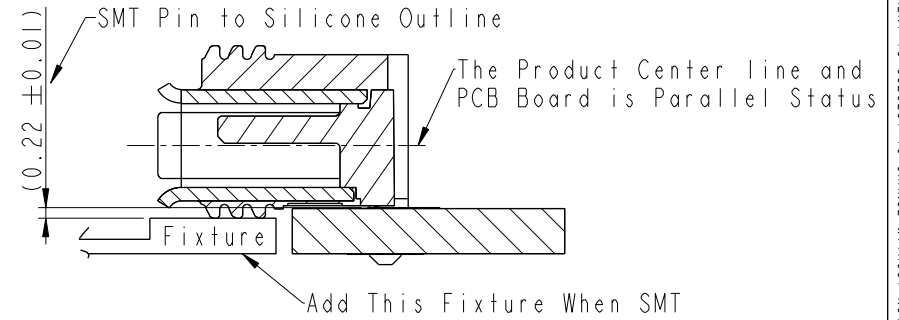
About IR Reflow Profile:

溫度設置 (攝氏)	1	2	3	4	5	6	7	8
溫區								
上溫區	160	180	180	180	190	245	265	260
下溫區	160	180	180	180	190	245	265	260
傳送帶速度 (米/分):	0.95							

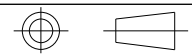


PWI= 61%	最高上升斜率	最高下降斜率	恢復時間150至200C	回流時間 /220C	最高溫度					
CON1	2.81	-6%	-2.33	33%	80.21	-33%	60.91	-30%	242.36	-18%
CON2	2.38	-21%	-2.14	43%	75.61	-48%	57.41	-42%	241.74	-22%
CON3	2.81	-6%	-2.84	8%	77.79	-41%	58.66	-38%	243.44	-10%
CON4	2.83	-6%	-2.34	33%	72.24	-59%	51.64	-61%	240.92	-27%
溫差	0.45		0.70		7.97		9.27		2.52	

About Fixture:



UNIT: mm



TITLE  
WATERPROOF MICRO-AB USB  
PANEL 20MAB F CONN JACK LENGHT PIN

SCALE Free SIZE A4 SHEET 4 OF 4

REV. C WC-REV. A.3 (C): Inspection item

**Amphenol LTW**  
安費諾亮泰企業股份有限公司

ITEM NO	DRAWN BY	DATE
DWG NO	CHECKED BY	DATE
CUSTOMER	APPROVED BY	DATE
ALTW	Ruru	2017-09-15
	Rita	2017-09-15
	Max	2017-09-15

THIS DOCUMENT IS SUBJECT TO CHANGE WITHOUT NOTICE. IT IS CONFIDENTIAL AND A PROPERTY OF Amphenol LTW. DISCLOSURE TO THIRD PARTY HAS TO BE AUTHORIZED BY Amphenol LTW.

单击下面可查看定价，库存，交付和生命周期等信息

[>>Amphenol\(安费诺\)](#)