

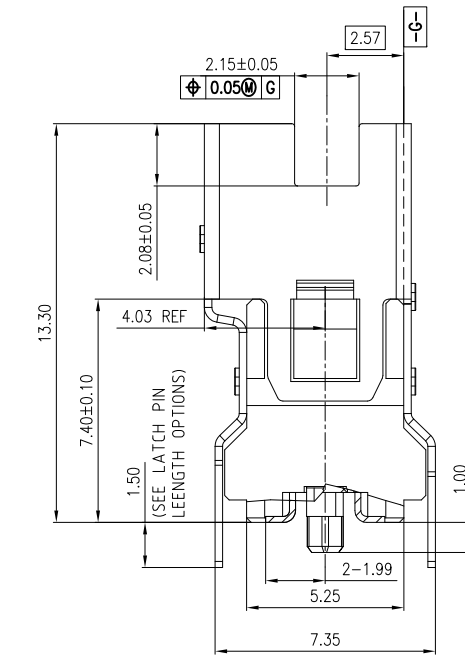
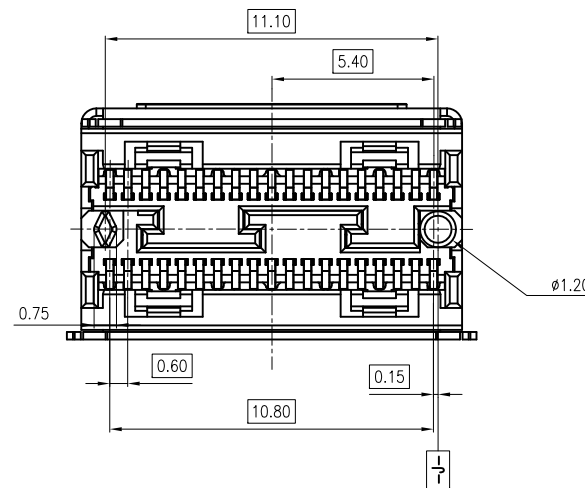
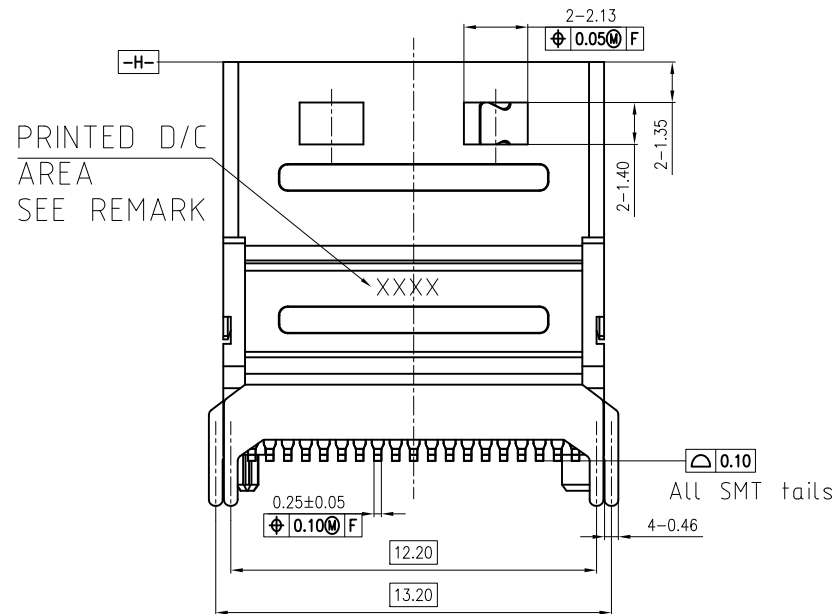
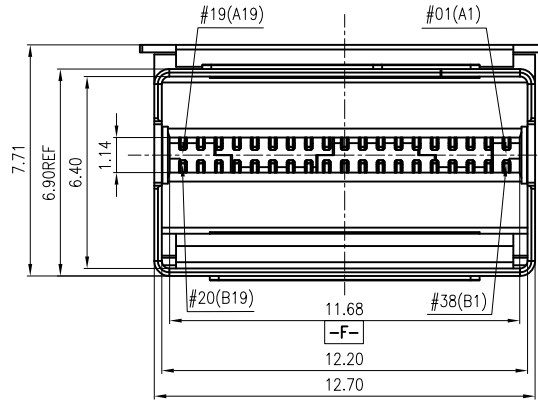
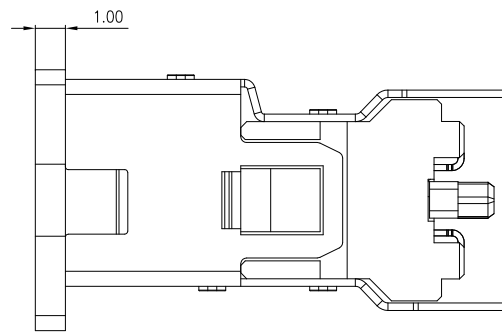
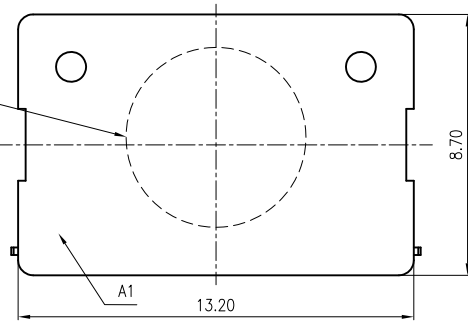
This document is the property of Amphenol Corporation and is delivered on the express condition that it is not to be disclosed, reproduced or used, in whole or in part, for manufacture or sale by anyone other than Amphenol Corporation without its prior consent, & that no right is granted to disclose or to use any information in this document.

CUSTOMER DRAWING

REVISIONS				
SYM	ECN	DESCRIPTION	DATE	APPROVED
1	N/A	FIRST RELEASE	12/06'17	IP
2	N/A	ADDING THE PACKAGE SPEC	4/13'18	IP
3	N/A	MODIFIED PART NUMBER CODING AND CHANGE COVER STRUCTURE	4/26'18	IP
4	N/A	ADDING CARRIER DIMENSION	5/9'18	IP
5	N/A	ADDING SHELL DIMENSION	5/21'18	IP
6	N/A	ADDING PCB HATCH DENOTE TRACE KEEP OUT AREA	7/16'18	IP
7	N/A	CHANGING THE PACKING CARRIER	8/13'18	IP
8	N/A	CHANGING THE PACKING CARRIER WIDTH	8/21'18	IP
9	N/A	ADDING TWO CIRCULAR HOLES ON THE COVER SURFACE TO DISTINGUISH THE DIRECTION AND ADDING HOUSING COLOR DESCRIPTION	11/14'18	IP

Part with Cap

Pick-Up Area



Remark:  
 PRINTED D/C AREA  
 印刷日期代码区域  
 YYWW  
 WEEK(周)  
 YEAR(年)



UNLESS OTHERWISE SPECIFIED TOLERANCES	
U.S.	METRIC
.X	+/- 0.50
.XX	+/- 0.25
.XXX	+/- 0.20
FRACTIONS	+/-
ANGLES	+/- 3°

APPROVAL		DATE
DRAWN	Mike	11/14'18
CHECKED		
CHECKED		
DRAWING FILE : DRAWING\U10\U10DH38X2X02X-9		
ANGLE OF PROJECTION		

Amphenol Amphenol East Asia Limited		
TITLE CUSTOMER DRAWING FOR SLIMLINE SAS X4 VERTICAL		
SIZE	DRAWING NO.	REV.
A3	U10DH38X2X02X	9
SCALE	NONE	SHEET 1 OF 2



单击下面可查看定价，库存，交付和生命周期等信息

[>>Amphenol\(安费诺\)](#)