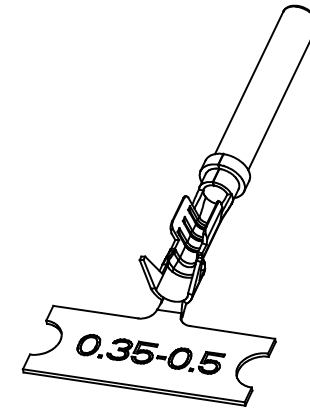
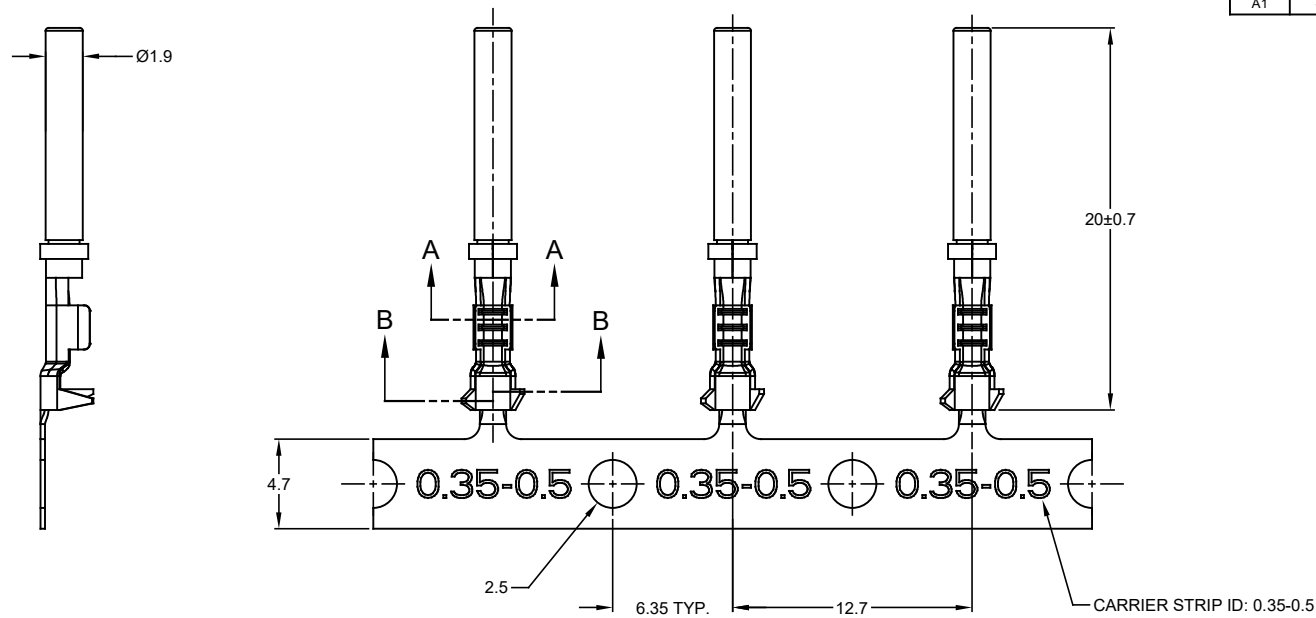
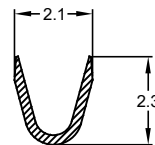


REVISIONS					
REV	ECO	DESCRIPTION	DATE	BY	APPR
A1	--	RELEASE NEW PRODUCT	06/JUL/20	LOUIE	TOMMY

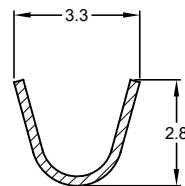


NOTES: UNLESS OTHERWISE SPECIFIED

- MATERIAL: COPPER ALLOY
- PLATING: SEE PART NUMBER CHART
*FOR GOLD PLATED CONTACTS: SELECTIVE GOLD FLASH IN CONTACT ZONE OR ENTIRE CONTACT.
*FOR NICKEL PLATED CONTACTS: SELECTIVE TIN PLATING ON CRIMP ZONE
- CONTACT SIZE: 20
- SPECIFICATIONS:
 - CURRENT RATING: 7.5 AMPS
 - CONTACT MILLIVOLT DROP: 100 MILLIVOLT DROP MAXIMUM AT 7.5 AMP TEST CURRENT.
 - RoHS COMPLIANT
- RECOMMENDED WIRE RANGE: 0.35 - 0.5MM²
RECOMMENDED INSUL O.D.: 1.25 - 1.8MM
- PACKAGE: 4000PCS/REEL
- AVAILABLE APPLICATORS: MFX-3974-K OR MFX-3974-G
- ALL DIMENSIONS ARE FOR REFERENCE USE ONLY



SECTION A-A



SECTION B-B

PART NUMBER CHART	
PLATING	PART NUMBER
NICKEL	AT62-20-0422
GOLD	AT62-20-0444

SEE PART NUMBER CHART		REF: 1371544	
QUANTITY	PART NUMBER	DESCRIPTION	ITEM
MATERIALS LIST			
UNLESS OTHERWISE SPECIFIED		SIGNATURES	
1) All dimensions are in metric (mm).		DRAWN: LOUIE	DATE: 06/JUL/20
2) Tolerances are as follows:		CHECKED: ORION	DATE: 07/JUL/20
1 PL DEC ±0.30 Fractions ±1/64		ENGINEER:	
2 PL DEC ±0.15		APPROVAL: TOMMY	DATE: 07/JUL/20
3 PL DEC ±0.08		CUSTOMER:	
3) Note reference =		THIS DRAWING IS SUPPLIED FOR INFORMATION ONLY. DESIGN FEATURES, SPECIFICATIONS AND PERFORMANCE DATA SHOWN HEREON ARE THE PROPERTY OF THE AMPHENOL CORPORATION. NO RIGHTS OF REPRODUCTION ARE IMPLIED. ALL DIMENSIONS ARE SUBJECT TO NORMAL MANUFACTURING VARIATIONS.	
MATERIAL SPECIFICATIONS:		SIZE: B C- TYPE: NONE	
PROCESS SPECIFICATIONS:		DWG NO: AT62-20-04XX	
NEXT ASSY:		REVISION: A1	

Amphenol

Sine Systems - www.amphenol-sine.com
44724 Morley Drive
Clinton Township, MI 48036

CONTACT, SOCKET, STAMPED,
SIZE 20, 0.35-0.5mm², A SERIES

SIZE	TYPE	DWG NO:	REVISION
B	C-	AT62-20-04XX	A1
SCALE: NONE		SHEET 1 OF 1	

TITLE: CONTACT SOCKET, STAMPED, SIZE 20, 0.35-0.5mm², A SERIES

DWG NO:

AT62-20-04XX

REV: A1

SH: 1

OF: 1

单击下面可查看定价，库存，交付和生命周期等信息

[>>Amphenol\(安费诺\)](#)