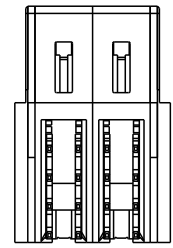
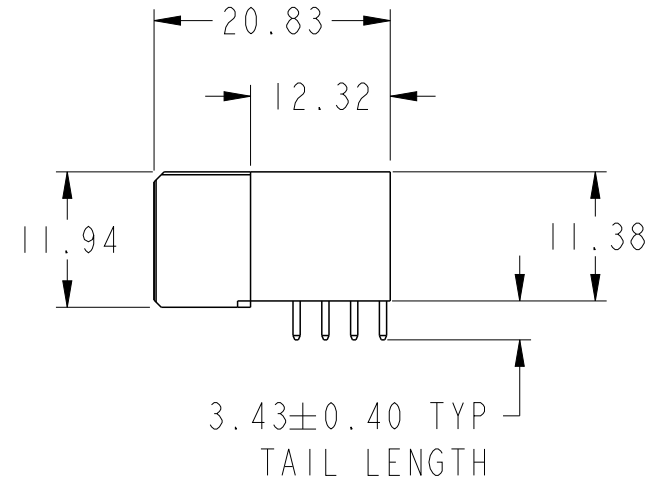
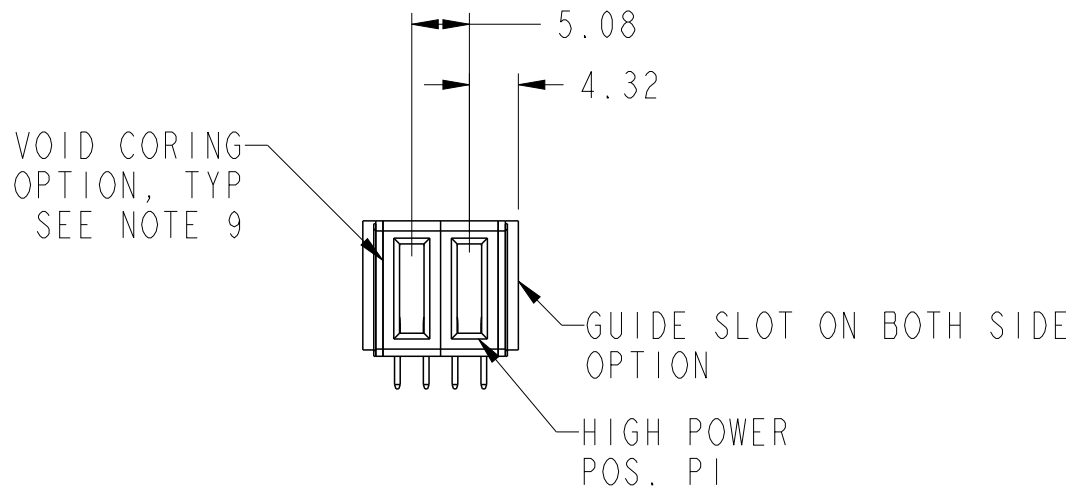
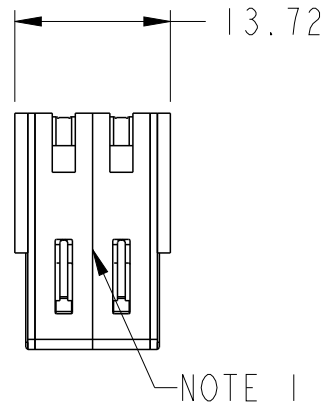


PRODUCT NUMBER SEE SHEET 2



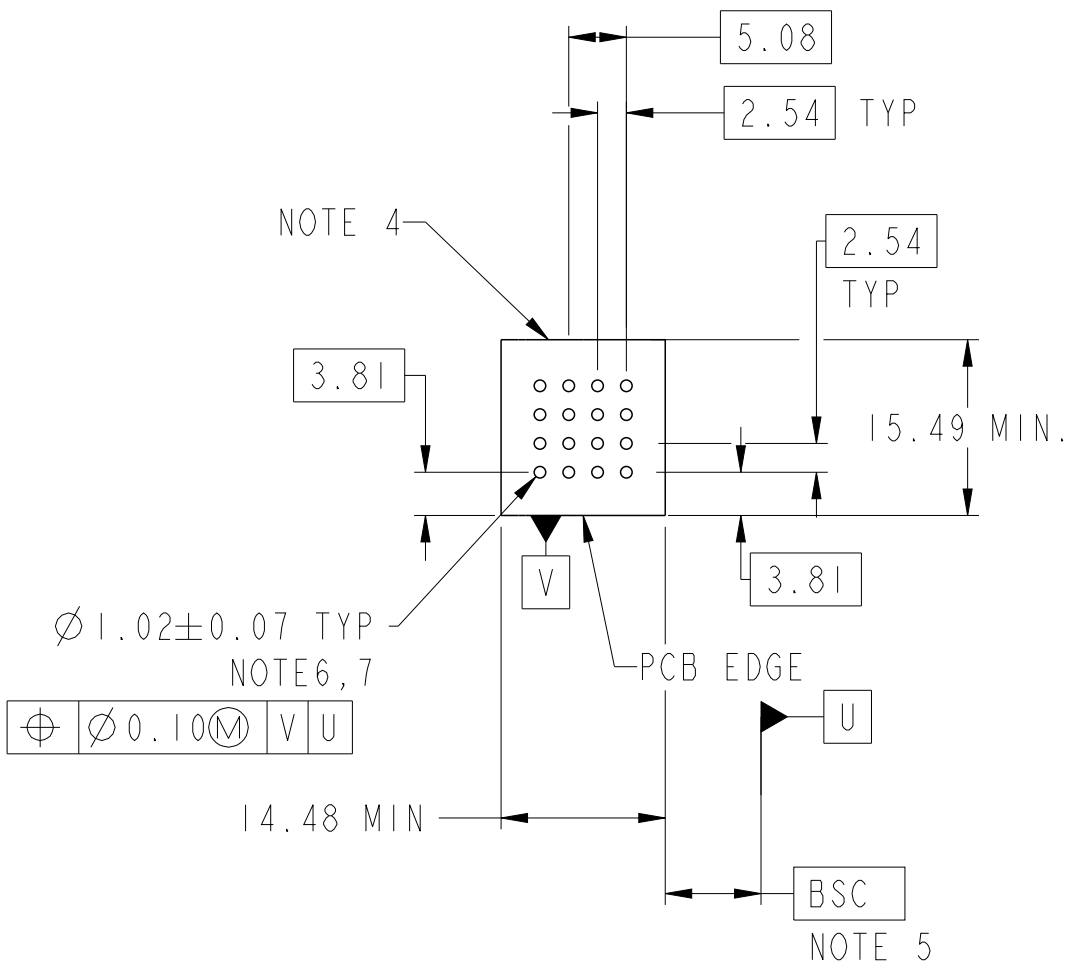
spec ref		dr	Zhan Rainbow	2016/12/07	projection	MM	size	A3	scale	3:2
tolerance std		eng	Zhan Rainbow	2017/08/03			ecn no		-	
ISO 406 ISO 1101		chr	Kaka Zhang	2017/08/03			rel level		Released	
TOLERANCES UNLESS OTHERWISE SPECIFIED		appr	Pei-Ming Zheng	2017/08/03	product family		PwrBlade+			
surface	linear	0.X	±0.5			cat. no.		Product - Customer Drw		sheet 1 of 3
		0.XX	±0.25			dwg no		10106134-2000002		rev
	angular	0°	±2°			RA RECEPTACLE STB				

Amphenol FCI

© 2016 AFCI

PRODUCT NO.	ROWS	HP			
		E1	P2	P1	E2
10106134-2000002LF	D C B A				

CODE	DESCRIPTION
H3	STD HIGH POWER CONTACT(3.43)



Amphenol  
FCi

© 2016 AFCI

spec ref	dr	Zhan Rainbow	2016/12/07	projection	MM	size	A3	scale	3:2
tolerance std	eng	Zhan Rainbow	2017/08/03			ecn no	-	rel level	Released
ISO 406 ISO 1101	chr	Kaka Zhang	2017/08/03						
surface	appr	Pei-Ming Zheng	2017/08/03			dwg no	10106134-2000002	rev	A
ISO 1302				2HDP RA RECEPTACLE STB		cat. no.	Product - Customer Drw	sheet 2 of 3	

NOTES:

- 1) PRODUCT MARK:  
PART NUMBER AND DATE CODE TO BE MARKED ON THIS SURFACE .  
THE MARK CAN BE OMITTED IF THERE IS NOT ENOUGH SPACE ON THIS SURFACE.
- 2) MATERIALS:  
-HOUSING : HIGH TEMP THERMOPLASTIC WITH GLASS FIBER, UL94V-0, BLACK.  
-POWER CONTACT : HIGH CONDUCTIVITY COPPER ALLOY.  
-SIGNAL CONTACT : COPPER ALLOY.
- 3) PLATING SPECIFICATION : 10116351
- 4) DENOTES CONNECTOR KEEP OUT ZONE.
- 5) DATUM AND BASIC DIMENIONS ARE ESTABLISHED BY CUSTOMER.
- 6) ALL HOLE DIAMETERS ARE FINISHED HOLE SIZES.
- 7) 1.15+/-0.025MM DRILLED HOLE PLATED WITH 0.00762MM MIN SN  
OVER 0.0254-0.0762MM CU PLATING TO ACHIEVE A 1.02+/-0.07MM HOLE.
- 8) THE HOUSING WILL WITHSTAND EXPOSURE TO 265 °C PEAK TEMPERATURE  
FOR 10 SECONDS IN A WAVE SOLDER APPLICATION.
- 9) THE VOID CORING IN BETWEEN POWER MODULES, SIGNAL MODULES AND  
END MODULES ARE OPTIONAL AND THE SHAPE MAY BE DIFFERENT FOR  
OPTIMIZE THE MOLDING PROCESS. THE VOID CORING WILL NOT EFFECT  
TO PRODUCT FUNCTION.
- 10) THIS PRODUCT MEETS EUROPEAN UNION DIRECTIVES AND OTHER COUNTRY  
REGULATIONS AS DESCRIBED IN GS-47-0004.
- 11) PRODUCT SPECIFICATION : GS-12-658.  
APPLICATION SPECIFICATION : GS-20-141.  
PRODUCT PACKAGE SPECIFICATION: GS-14-1502.

Amphenol  
FCi

© 2016 AFci

spec ref		dr	Zhan Rainbow	2016/12/07	projection 	MM ←————→	size	A3	scale	3:2
tolerance std		eng	Zhan Rainbow	2017/08/03			ecn no	-		
ISO 406 ISO 1101		TOLERANCES UNLESS OTHERWISE SPECIFIED		chr			Kaka Zhang	2017/08/03	rel level	Released
surface	linear	0.X	±0.5	Amphenol FCi	2HDP	RA RECEPTACLE STB	dwg no	10106134-2000002	rev	A
ISO 1302		0.XX	±0.25							
	angular	0°	±2°							

单击下面可查看定价，库存，交付和生命周期等信息

[>>Amphenol\(安费诺\)](#)