

**PRODUCT NUMBER STRUCTURE**

10164227 - AAABCDEF

No. of Pins:  
 020=20Pin; 024=24Pin;  
 030=30Pin; 034=34Pin;  
 040=40Pin; 050=50Pin;  
 060=60Pin; 070=70Pin;  
 080=80Pin; 090=90Pin;  
 100=100Pin; 120=120Pin.

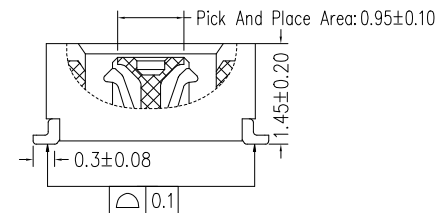
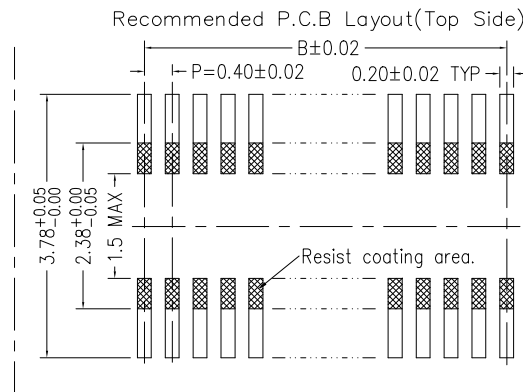
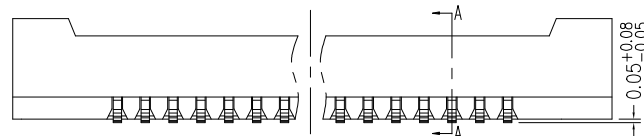
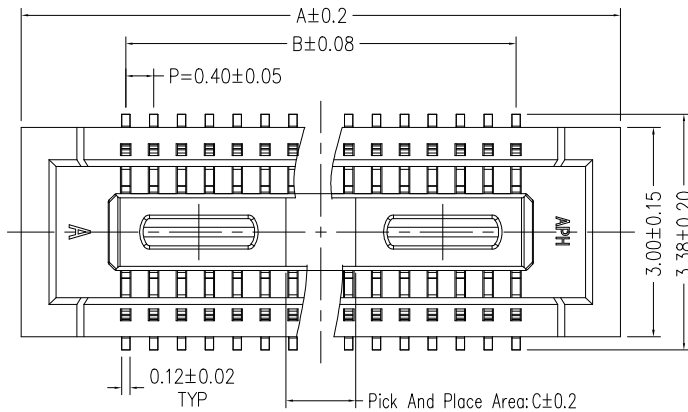
Height:  
 1=1.45mm

Contact plating:  
 A=Gold flash

Hold down:  
 1=Without hold down

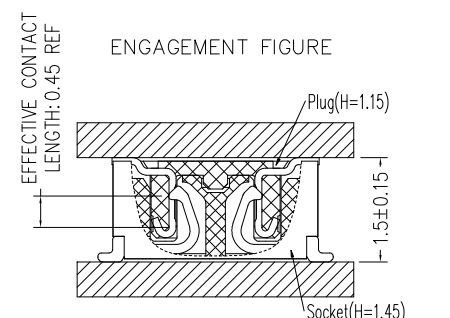
Packing:  
 R=Tape & Reel

LF:  
 LF=Lead free



**Note**

- CURRENT RATING: 0.3A ;
- VOLTAGE RATING: 30V AC ;
- CONTACT RESISTANCE: 90mΩ Max;
- WITHSTAND VOLTAGE : 100V AC;
- INSULATION RESISTANCE: 50MΩ Min;
- INSULATOR MATERIAL: LCP,G.F,UL94V-0,BK;
- CONTACT MATERIAL: Copper Alloy;
- CONTACT PLATING:  
 GOLD FLASH ON CONTACT AREA(SEE ORDERING INFORMATION),  
 50μ" NICKEL UNDERPLATING OVERALL;
- CO-PLANARITY FOR CONTACT TAILS MUST BE 0.1mm MAX.
- THIS PRODUCT MEETS EUROPEAN UNION DIRECTIVES AND OTHER COUNTRY REGULATIONS AS DESCRIBED IN GS-47-0004.
- THE HOUSING WILL WITHSTAND EXPOSURE TO 260°C PEAK TEMPERATURE FOR 10SECONDS IN A REFLOW SOLDERING OVEN.
- RECOMMENDED STENCIL THICKNESS IS 120um.
- RECOMMENDED STENCIL OPENING RATIO IS 80%.
- PRODUCT SPEC : GS-12-1404.
- THE DOCUMENT MAY BE CHANGED WITHOUT PRIOR NOTICE.



PART NO.	NO. of contacts	A	B	C
10164227-0101A1RLF	10	4.60	1.60	1.0
10164227-0201A1RLF	20	6.60	3.60	1.0
10164227-0241A1RLF	24	7.40	4.40	1.0
10164227-0301A1RLF	30	8.60	5.60	1.5
10164227-0341A1RLF	34	9.40	6.40	2.3
10164227-0401A1RLF	40	10.60	7.60	3.2
10164227-0501A1RLF	50	12.60	9.60	3.2
10164227-0601A1RLF	60	14.60	11.60	3.2
10164227-0701A1RLF	70	16.60	13.60	3.2
10164227-0801A1RLF	80	18.60	15.60	3.2
10164227-0901A1RLF	90	20.60	17.60	3.2
10164227-1001A1RLF	100	22.60	19.60	3.2
10164227-1201A1RLF	120	26.60	23.60	3.2

mat'l. code		surface ISO 1302 ✓		tolerance ISO 406 ISO 1101		projection		product family	
ltr		ecn no		dr		date		BERGSTAK	
A		-		YY		2022/04/01		title	
B		ELX-N-46224-1		YY		2022/11/14		RECEPTACLE	
				angles		linear		BERGSTAK 0.4MM BTB	
				0°±2'		.00±.25 .00±.20 .000±.10		scale 1:1	
				dr		Y-Y Bao		2022/11/14	
				enr		Y-Y Bao		2022/11/14	
				chr		L-Q Lei		2022/11/14	
				appd		Tim Yao		2022/11/14	
sheet		revision		B				dwg no	
index		sheet		1~6				sheet 1 of 6	
								size	
								A3	
								type	
								Product Customer Drawing	

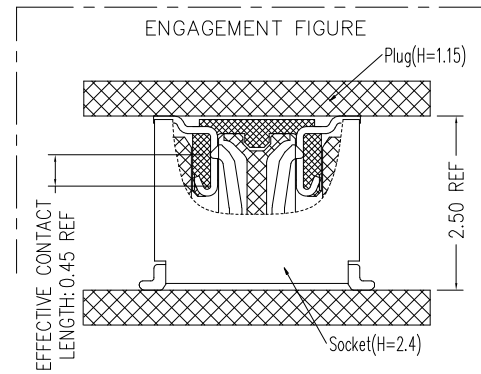
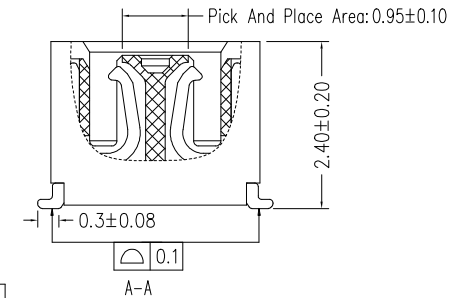
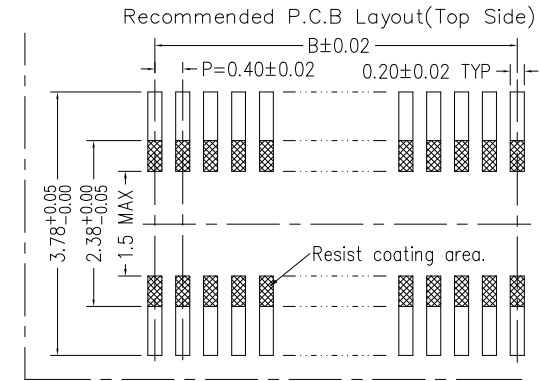
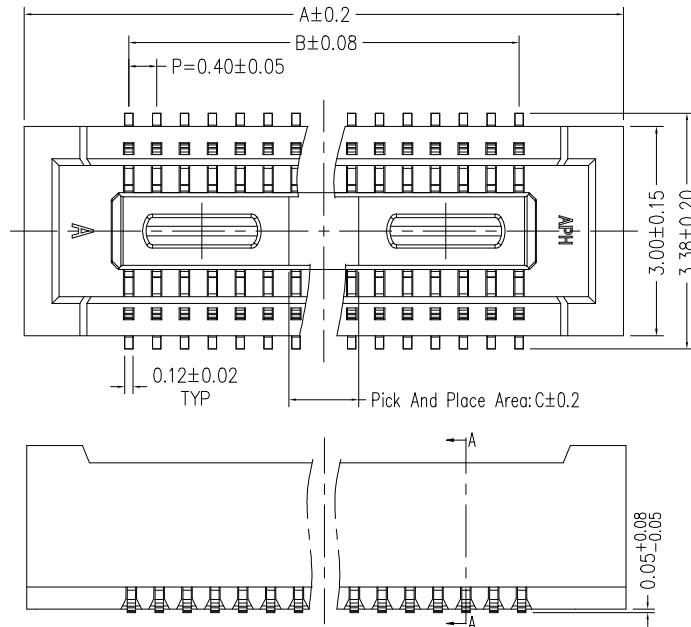
Amphenol FCI

© 2016 AFCI

**PRODUCT NUMBER STRUCTURE**

10164227 - AAABCDELF

Na.of Pins:  
 020=20Pin; 030=30Pin;  
 040=40Pin; 050=50Pin;  
 060=60Pin; 070=70Pin  
 Height:  
 2=2.4mm  
 Contact plating:  
 A=Gold flash  
 Hold down:  
 1=Without hold down  
 Packing:  
 R=Tape & Reel  
 LF:  
 LF=Lead free



PART NO.	NO.of contacts	A	B	C
10164227-0202A1RLF	20	6.60	3.60	1.0
10164227-0302A1RLF	30	8.60	5.60	1.5
10164227-0402A1RLF	40	10.60	7.60	3.2
10164227-0502A1RLF	50	12.60	9.60	3.2
10164227-0602A1RLF	60	14.60	11.60	3.2
10164227-0702A1RLF	70	16.60	13.60	3.2

**Note**

- CURRENT RATING: 0.3A ;
- VOLTAGE RATING: 30V AC ;
- CONTACT RESISTANCE: 90mΩ Max;
- WITHSTAND VOLTAGE : 100V AC;
- INSULATION RESISTANCE: 50MΩ Min;
- INSULATOR MATERIAL: LCP,G.F,UL94V-0,BK;
- CONTACT MATERIAL: Copper Alloy;
- CONTACT PLATING:  
 GOLD FLASH ON CONTACT AREA(SEE ORDERING INFORMATION),  
 50μ" NICKEL UNDERPLATING OVERALL;
- CO-PLANARITY FOR CONTACT TAILS MUST BE 0.1mm MAX.
- THIS PRODUCT MEETS EUROPEAN UNION DIRECTIVES AND OTHER COUNTRY REGULATIONS AS DESCRIBED IN GS-47-0004.
- THE HOUSING WILL WITHSTAND EXPOSURE TO 260°C PEAK TEMPERATURE FOR 10SECONDS IN A REFLOW SOLDERING OVEN.
- RECOMMENDED STENCIL THICKNESS IS 120um.
- RECOMMENDED STENCIL OPENING RATIO IS 80%.
- PRODUCT SPEC : GS-12-1404.
- THE DOCUMENT MAY BE CHANGED WITHOUT PRIOR NOTICE.

mat'l. code		surface ISO 1302 ✓		tolerance ISO 406 ISO 1101		projection 1101		product family BERGSTAK	
ltr	ecn no	dr	date	tolerances unless otherwise specified		mm		title	
B				angles linear	.0±.25	← mm →		RECEPTACLE BERGSTAK 0.4MM BTB	
				0°±2'	.00±.20	scale 1:1		dwg no sheet 2 of 6 size	
				dr	Y-Y Bao	2022/11/14	Amphenol FCI		10164227 A3
				enr	Y-Y Bao	2022/11/14			
				chr	L-Q Lei	2022/11/14			
				appd	Tim Yao	2022/11/14			
sheet index	revision sheet	B	1~6	type Product Customer Drawing					

**PRODUCT NUMBER STRUCTURE**

10164227 - AAABCDEF

No. of Pins:  
 030=30Pin; 040=40Pin;  
 044=44Pin; 050=50Pin;  
 060=60Pin; 070=70Pin;  
 080=80Pin; 090=90Pin;  
 100=100Pin;

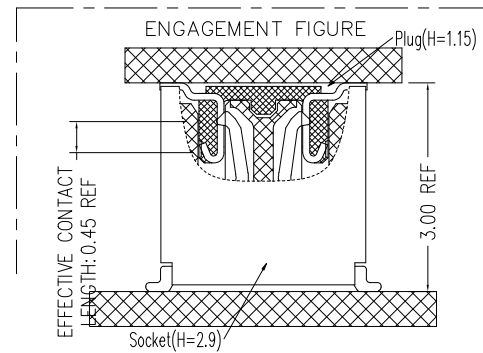
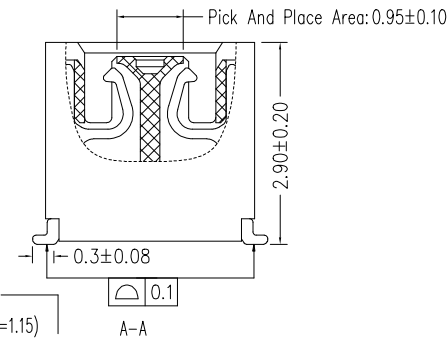
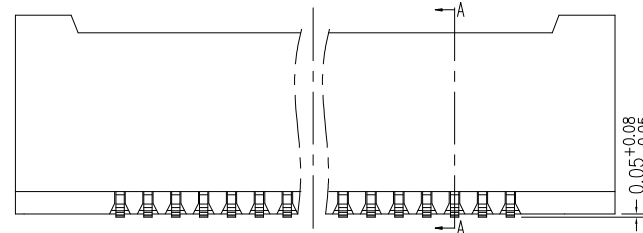
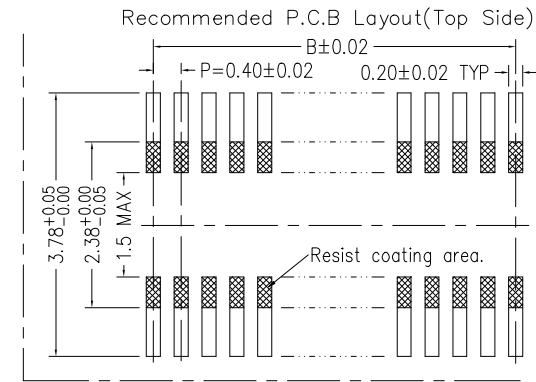
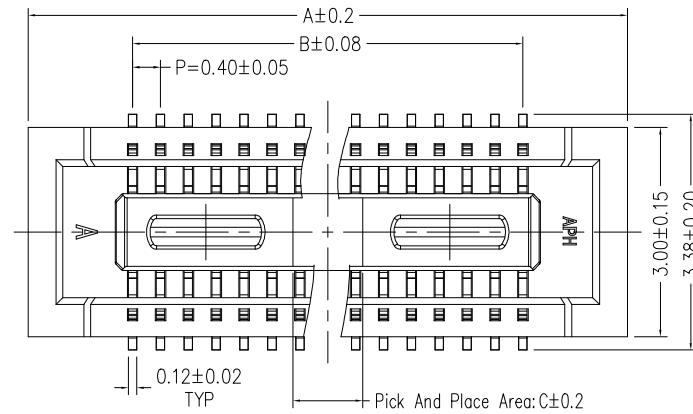
Height:  
 3=2.9mm

Contact plating:  
 A=Gold flash

Hold down:  
 1=Without hold down

Packing:  
 R=Tape & Reel

LF:  
 LF=Lead free



- Note
- CURRENT RATING: 0.3A ;
  - VOLTAGE RATING: 30V AC ;
  - CONTACT RESISTANCE: 90mΩ Max;
  - WITHSTAND VOLTAGE : 100V AC;
  - INSULATION RESISTANCE: 50MΩ Min;
  - INSULATOR MATERIAL: LCP,G.F,UL94V-0,BK;
  - CONTACT MATERIAL: Copper Alloy;
  - CONTACT PLATING:  
 GOLD FLASH ON CONTACT AREA(SEE ORDERING INFORMATION),  
 50μ" NICKEL UNDERPLATING OVERALL;
  - CO-PLANARITY FOR CONTACT TAILS MUST BE 0.1mm MAX.
  - THIS PRODUCT MEETS EUROPEAN UNION DIRECTIVES AND OTHER COUNTRY REGULATIONS AS DESCRIBED IN GS-47-0004.
  - THE HOUSING WILL WITHSTAND EXPOSURE TO 260°C PEAK TEMPERATURE FOR 10SECONDS IN A REFLOW SOLDERING OVEN.
  - RECOMMENDED STENCIL THICKNESS IS 120μm.
  - RECOMMENDED STENCIL OPENING RATIO IS 80%.
  - PRODUCT SPEC : GS-12-1404.
  - THE DOCUMENT MAY BE CHANGED WITHOUT PRIOR NOTICE.

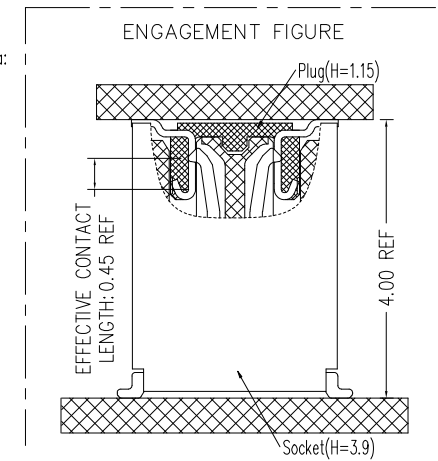
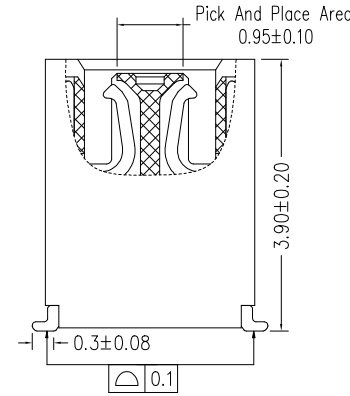
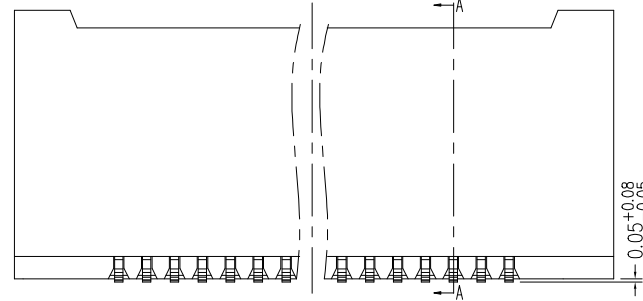
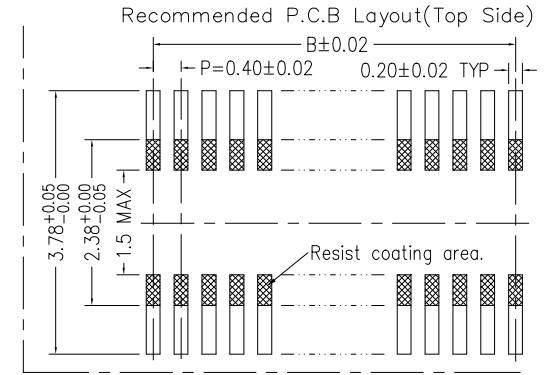
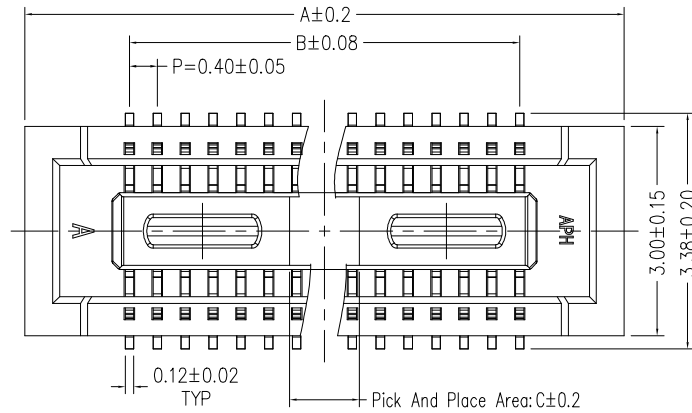
PART NO.	NO. of contacts	A	B	C
10164227-0303A1RLF	30	8.60	5.60	1.5
10164227-0403A1RLF	40	10.60	7.60	3.2
10164227-0443A1RLF	44	11.40	8.40	3.2
10164227-0503A1RLF	50	12.60	9.60	3.2
10164227-0603A1RLF	60	14.60	11.60	3.2
10164227-0703A1RLF	70	16.60	13.60	3.2
10164227-0803A1RLF	80	18.60	15.60	3.2
10164227-0903A1RLF	90	20.60	17.60	3.2
10164227-1003A1RLF	100	22.60	19.60	3.2

mat'l. code		surface ISO 1302 ✓		tolerance ISO 406 ISO 1101		projection 1101		product family BERGSTAK	
ltr	ecn no	dr	date	tolerances unless otherwise specified		mm		title	
B				angles linear	.0±.25	← mm →		RECEPTACLE	
				0'±2'	.00±.20	scale 1:1		BERGSTAK 0.4MM BTB	
				dr	Y-Y Bao	2022/11/14	dwg no		sheet 3 of 6
				engr	Y-Y Bao	2022/11/14	10164227		size A3
				chr	L-Q Lei	2022/11/14	type		Product Customer Drawing
				appd	Tim Yao	2022/11/14			
sheet index	revision sheet	B	1~6						

**PRODUCT NUMBER STRUCTURE**

10164227 - AAABCDELFF

No. of Pins:  
050=50Pin; 060=60Pin  
080=80Pin; 090=90Pin  
Height:  
4=3.9mm  
Contact plating:  
A=Gold flash  
Hold down:  
1=Without hold down  
Packing:  
R=Tape & Reel  
LF:  
LF=Lead free



**Note**

- CURRENT RATING: 0.3A ;
- VOLTAGE RATING: 30V AC ;
- CONTACT RESISTANCE: 90mΩ Max;
- WITHSTAND VOLTAGE : 100V AC;
- INSULATION RESISTANCE: 50MΩ Min;
- INSULATOR MATERIAL: LCP,G.F,UL94V-0,BK;
- CONTACT MATERIAL: Copper Alloy;
- CONTACT PLATING:  
GOLD FLASH ON CONTACT AREA(SEE ORDERING INFORMATION),  
50 μ" NICKEL UNDERPLATING OVERALL;
- CO-PLANARITY FOR CONTACT TAILS MUST BE 0.1mm MAX.
- THIS PRODUCT MEETS EUROPEAN UNION DIRECTIVES AND OTHER COUNTRY REGULATIONS AS DESCRIBED IN GS-47-0004.
- THE HOUSING WILL WITHSTAND EXPOSURE TO 260°C PEAK TEMPERATURE FOR 10SECONDS IN A REFLOW SOLDERING OVEN.
- RECOMMENDED STENCIL THICKNESS IS 120um.
- RECOMMENDED STENCIL OPENING RATIO IS 80%.
- PRODUCT SPEC : GS-12-1404.
- THE DOCUMENT MAY BE CHANGED WITHOUT PRIOR NOTICE.

PART NO.	NO. of contacts	A	B	C
10164227-0404A1RLF	40	10.60	7.60	3.2
10164227-0504A1RLF	50	12.60	9.60	3.2
10164227-0604A1RLF	60	14.60	11.60	3.2
10164227-0704A1RLF	70	16.60	13.60	3.2
10164227-0804A1RLF	80	18.60	15.60	3.2
10164227-0904A1RLF	90	20.60	17.60	3.2
10164227-1004A1RLF	100	22.60	19.60	3.2

mat'l. code		surface ISO 1302 ✓		tolerance ISO 406 ISO		projection 11011		product family BERGSTAK	
ltr	ecn no	dr	date	tolerances unless otherwise specified		mm		title	
B				angles	linear	mm		RECEPTACLE BERGSTAK 0.4MM BTB	
				0°±2'		scale 1:1		dwg no sheet 4 of 6 size	
				dr	Y-Y Bao	2022/11/14	Amphenol FCI		10164227 A3
				engr	Y-Y Bao	2022/11/14			
				chr	L-Q Lei	2022/11/14			
				appd	Tim Yao	2022/11/14			
sheet index	revision sheet	B	1~6	type Product Customer Drawing					

**PRODUCT NUMBER STRUCTURE**

10164227 - AAABCDELFF

No. of Pins:  
020=20Pin; 030=30Pin;  
040=40Pin; 050=50Pin;  
060=60Pin; 080=80Pin

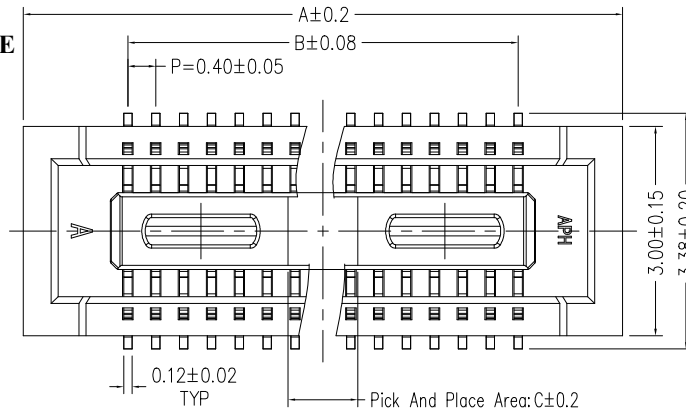
Height:  
5=3.45mm

Contact plating:  
A=Gold flash

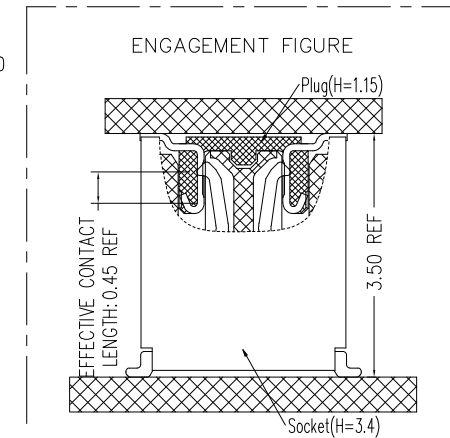
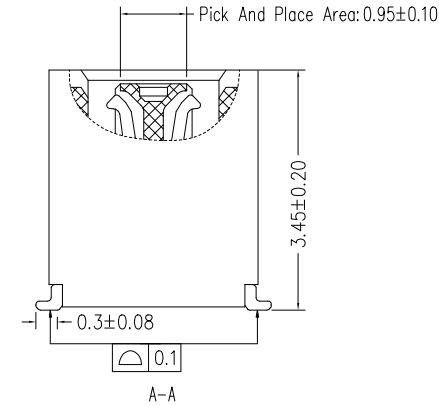
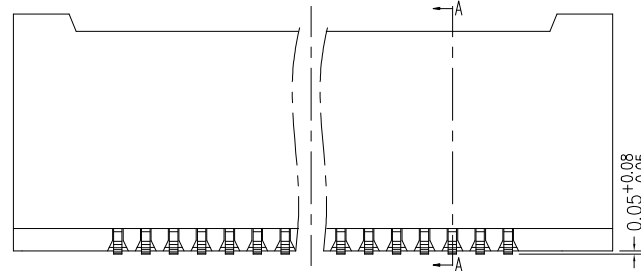
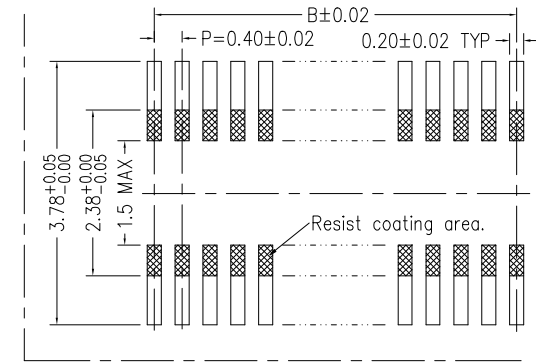
Hold down:  
1=Without hold down

Packing:  
R=Tape & Reel

LF:  
LF=Lead free



Recommended P.C.B Layout(Top Side)



**Note**

1. CURRENT RATING: 0.3A ;
2. VOLTAGE RATING: 30V AC ;
3. CONTACT RESISTANCE: 90mΩ Max;
4. WITHSTAND VOLTAGE : 100V AC;
5. INSULATION RESISTANCE: 50MΩ Min;
6. INSULATOR MATERIAL: LCP,G.F,UL94V-0,BK;
7. CONTACT MATERIAL: Copper Alloy;
8. CONTACT PLATING:  
GOLD FLASH ON CONTACT AREA(SEE ORDERING INFORMATION),  
50 μ" NICKEL UNDERPLATING OVERALL;
9. CO-PLANARITY FOR CONTACT TAILS MUST BE 0.1mm MAX.
10. THIS PRODUCT MEETS EUROPEAN UNION DIRECTIVES AND OTHER COUNTRY REGULATIONS AS DESCRIBED IN GS-47-0004.
10. THE HOUSING WILL WITHSTAND EXPOSURE TO 260°C PEAK TEMPERATURE FOR 10SECONDS IN A REFLOW SOLDERING OVEN.
12. RECOMMENDED STENCIL THICKNESS IS 120um.
13. RECOMMENDED STENCIL OPENING RATIO IS 80%.
14. PRODUCT SPEC : GS-12-1404.
15. THE DOCUMENT MAY BE CHANGED WITHOUT PRIOR NOTICE.

PART NO.	NO. of contacts	A	B	C
10164227-0205A1RLF	20	6.60	3.60	1.0
10164227-0305A1RLF	30	8.60	5.60	1.5
10164227-0405A1RLF	40	10.60	7.60	3.2
10164227-0505A1RLF	50	12.60	9.60	3.2
10164227-0605A1RLF	60	14.60	11.60	3.2
10164227-0805A1RLF	80	18.60	15.60	3.2

mat'l. code		surface ISO 1302 ✓		tolerance ISO 406 ISO 1101		projection 1101		product family BERGSTAK	
ltr		ecn no		dr		date		title	
B								RECEPTACLE BERGSTAK 0.4MM BTB	
								dwg no 10164227	
								sheet 5 of 6	
								size A3	
								type Product Customer Drawing	
sheet index		revision sheet		B 1~6					

**PRODUCT NUMBER STRUCTURE**

10164227 - AAABCDEL F

No. of Pins:  
 020=20Pin; 024=24Pin;  
 030=30Pin; 040=40Pin;  
 050=50Pin; 060=60Pin;  
 070=70Pin; 080=80Pin;

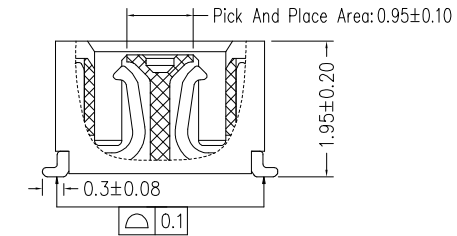
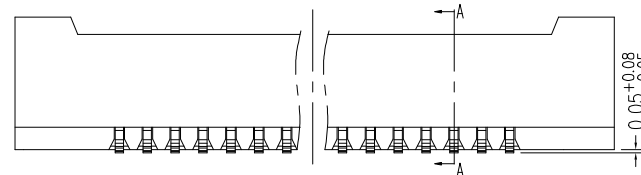
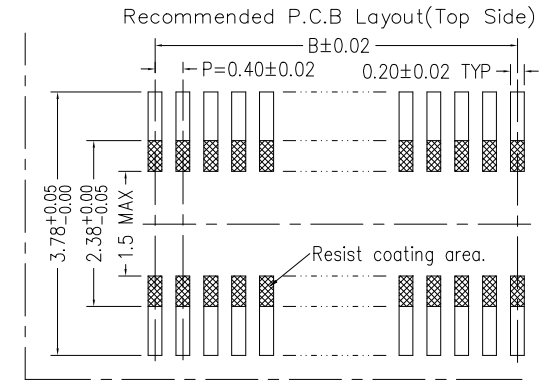
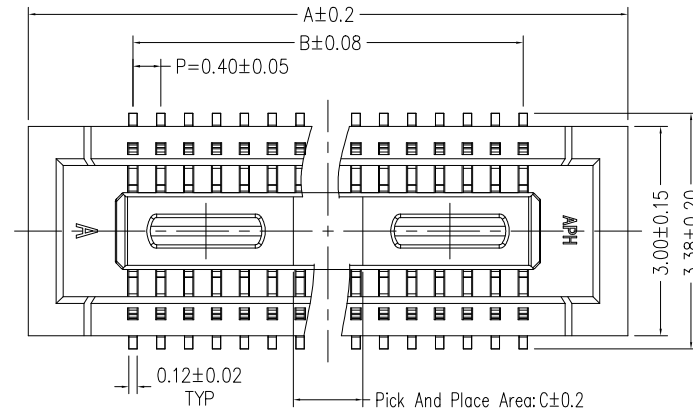
Height:  
 6=1.95mm

Contact plating:  
 A=Gold flash  
 B=8u" Min. AU  
 C=15u" Min. AU

Hold down:  
 1=Without hold down

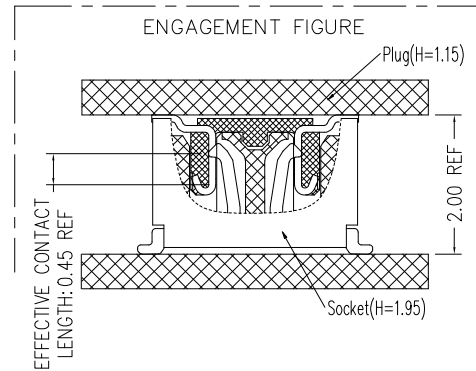
Packing:  
 R=Tape & Reel

LF:  
 LF=Lead free



**Note**

1. CURRENT RATING: 0.3A ;
2. VOLTAGE RATING: 30V AC ;
3. CONTACT RESISTANCE: 90mΩ Max;
4. WITHSTAND VOLTAGE : 100V AC;
5. INSULATION RESISTANCE: 50MΩ Min;
6. INSULATOR MATERIAL: LCP,G.F,UL94V-0,BK;
7. CONTACT MATERIAL: Copper Alloy;
8. CONTACT PLATING:  
 GOLD FLASH ON CONTACT AREA(SEE ORDERING INFORMATION),  
 50 μ" NICKEL UNDERPLATING OVERALL;
9. CO-PLANARITY FOR CONTACT TAILS MUST BE 0.1mm MAX.
10. THIS PRODUCT MEETS EUROPEAN UNION DIRECTIVES AND OTHER COUNTRY REGULATIONS AS DESCRIBED IN GS-47-0004.
10. THE HOUSING WILL WITHSTAND EXPOSURE TO 260°C PEAK TEMPERATURE FOR 10SECONDS IN A REFLOW SOLDERING OVEN.
12. RECOMMENDED STENCIL THICKNESS IS 120um.
13. RECOMMENDED STENCIL OPENING RATIO IS 80%.
14. PRODUCT SPEC : GS-12-1404.
15. THE DOCUMENT MAY BE CHANGED WITHOUT PRIOR NOTICE.



PART NO.	NO. of contacts	A	B	C
10164227-0206A1RLF	20	6.60	3.60	1.0
10164227-0246A1RLF	24	7.40	4.40	1.0
10164227-0306A1RLF	30	8.60	5.60	1.5
10164227-0406A1RLF	40	10.60	7.60	3.2
10164227-0506A1RLF	50	12.60	9.60	3.2
10164227-0606A1RLF	60	14.60	11.60	3.2
10164227-0706A1RLF	70	16.60	13.60	3.2
10164227-0806A1RLF	80	18.60	15.60	3.2

mat'l. code		surface ISO 1302 ✓		tolerance ISO 406 ISO 1101		projection 1101		product family BERGSTAK	
ltr	ecn no	dr	date	tolerances unless otherwise specified		mm		title	
B				angles linear	.0±.25	← mm →		RECEPTACLE BERGSTAK 0.4MM BTB	
				0°±2'	.00±.20	scale 1:1		dwg no sheet 6 of 6 size	
				dr	Y-Y Bao	2022/11/14	Amphenol FCI		10164227 A3
				engr	Y-Y Bao	2022/11/14			
				chr	L-Q Lei	2022/11/14			
				appd	Tim Yao	2022/11/14			
sheet index	revision sheet	B 1~6							

单击下面可查看定价，库存，交付和生命周期等信息

[>>Amphenol\(安费诺\)](#)