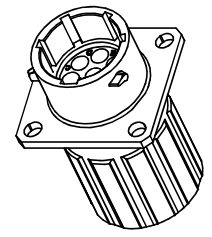
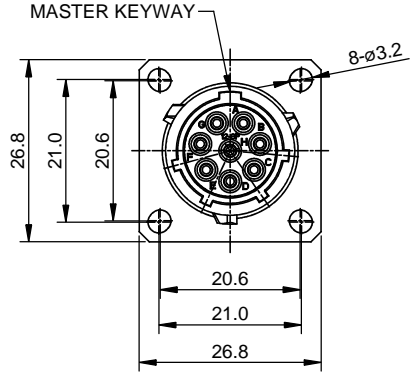
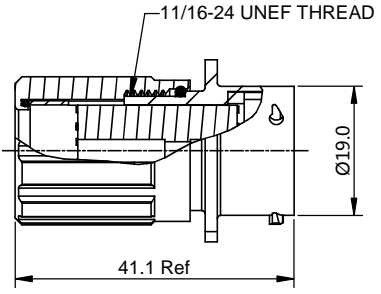


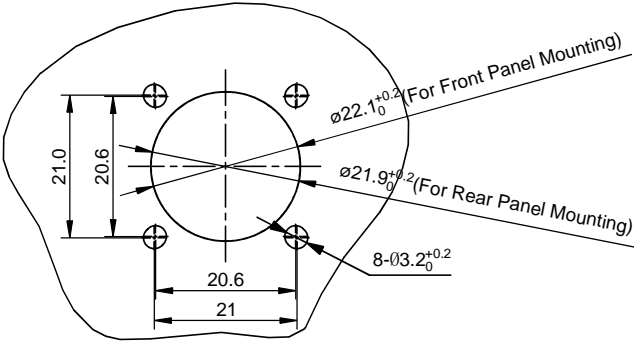
| REVISIONS |     |                  |              |     |       |
|-----------|-----|------------------|--------------|-----|-------|
| REV       | ECO | DESCRIPTION      | DATE         | BY  | APPR  |
| B1        | -   | RELEASED DRAWING | JULY-04-2014 | BEN | TOMMY |



**NOTES : (UNLESS OTHERWISE SPECIFIED)**

- MATERIAL :**  
 SHELL : ZINC ALLOY , NICKEL PLATED.  
 INSERT : THERMOPLASTIC , UL94 V-0.  
 END CAP : THERMOPLASTIC , UL94 V-0.  
 PLASTIC BUSHING : THERMOPLASTIC , UL94 V-0.  
 SEAL GASKET : NBR.  
 O-RING : NBR.  
 WIRE SEAL : SILICONE RUBBER.
- SPECIFICATIONS :**  
 2.1 RATED CURRENT : 13A (MAX).  
 2.2 RATED VOLTAGE : 300V ( AC/DC ) .  
 2.3 OPERATING TEMPERATURE : -40°C ~ +105°C.  
 2.4 DIELECTRIC WITHSTANDING VOLTAGE : LESS THAN  
 2 MILLIAMPS CURRENT LEAKAGE@2000 VOLTS AC.  
 2.5 INSULATION RESISTANCE : 5000 MEGOHMS MIN.  
 2.6 IP--CLASS : IP67.  
 2.7 MATING CYCLES DURABILITY : 500 CYCLES MIN.  
 2.8 ROHS COMPLIANT.
- SUITABLE CONTACTS : 16# CONTACTS.**
- ALL DIMENSIONS ARE FOR REFERENCE USE ONLY.**
- CONTACT SIZE AND REAR SEAL WIRE RANGE :**

| CONTACT SIZE | MIN. INSUL O.D. | MAX. INSUL O.D. | WIRE RANGE |
|--------------|-----------------|-----------------|------------|
| 16#          | Ø2.0mm          | Ø3.2mm          | 14 - 24AWG |



PANEL CUT OUT REFERENCE

| KEY POS | PART NUMBER  |
|---------|--------------|
| N       | RT00128PNHEC |
| W       | RT00128PWHEC |
| X       | RT00128PXHEC |
| Y       | RT00128PYHEC |
| Z       | RT00128PZHEC |

| QUANTITY   | SEE PART NUMBER CHART | DESCRIPTION  | ITEM   |
|--|-----------------------|--|--|
|  |                       |  |  |
| MATERIALS LIST   |                       |  |  |
| <small>UNLESS OTHERWISE SPECIFIED</small><br>1) All dimensions are in metric(mm).<br>2) Tolerances are as follows:<br>1 PL DEC ±0.30   Fractions ±1/64<br>2 PL DEC ±0.15   Angles ±1°<br>3 PL DEC ±0.08<br>3) Note reference =   |                       | <b>SIGNATURES</b> <b>DATE</b><br>DRAWN: BEN    JULY-04-2014<br>CHECKED:<br>ENGINEER:<br>APPROVAL:  |  |
| <small>MATERIAL SPECIFICATIONS:</small><br>CUSTOMER:   |                       | <br>Sine Systems - www.amphenol-sine.com<br>44724 Morley Drive<br>Clinton Township, MI 48036<br>ECO-MATE, RECEPTACLE,<br>SIZE 12,8POS,PIN,END CAP. |  |
| <small>PROCESS SPECIFICATIONS:</small><br>THIS DRAWING IS SUPPLIED FOR INFORMATION ONLY. DESIGN FEATURES, SPECIFICATIONS AND PERFORMANCE DATA SHOWN HEREON ARE THE PROPERTY OF THE AMPHENOL CORPORATION. NO RIGHTS OF REPRODUCTION ARE IMPLIED. ALL DIMENSIONS ARE SUBJECT TO NORMAL MANUFACTURING VARIATIONS. |                       |  |  |
| <small>NEXT ASSY:</small>  |                       | SIZE: B C-<br>SCALE: NONE  | DWG NO: RT00128P*HEC<br>REVISION: B1<br>SHEET 1 OF 1 |

TITLE: ECO-MATE RECEPTACLE SIZE 12,8POS,PIN,END CAP  
 DWG NO: RT00128P\*HEC  
 REV: B1  
 SH: 1  
 OF: 1

## ecomate® RM/RSSM/Aquarius™ - Contact Size 16 Options

| Crimp Contacts, Machined |            |       |                               |            |
|--------------------------|------------|-------|-------------------------------|------------|
| Part Number              |            | AWG   | Wire Range (mm <sup>2</sup> ) | Plating    |
| Male                     | Female     |       |                               |            |
| MP14M23F                 | MS14M23F   | 14    | 2.0-2.5                       | Gold Flash |
| MP14M23G5                | MS14M23G5  | 14    | 2.0-2.5                       | Gold 5μ"   |
| MP14M23G10               | MS14M23G10 | 14    | 2.0-2.5                       | Gold 10μ"  |
| MP14M23G15               | MS14M23G15 | 14    | 2.0-2.5                       | Gold 15μ"  |
| MP14M23G30               | MS14M23G30 | 14    | 2.0-2.5                       | Gold 30μ"  |
| MP16M23F                 | MS16M23F   | 18-16 | 0.75-1.5                      | Gold Flash |
| MP16M23G5                | MS16M23G5  | 18-16 | 0.75-1.5                      | Gold 5μ"   |
| MP16M23G10               | MS16M23G10 | 18-16 | 0.75-1.5                      | Gold 10μ"  |
| MP16M23G15               | MS16M23G15 | 18-16 | 0.75-1.5                      | Gold 15μ"  |
| MP16M23G30               | MS16M23G30 | 18-16 | 0.75-1.5                      | Gold 30μ"  |
| MP20M23F                 | MS20M23F   | 22-20 | 0.34-0.50                     | Gold Flash |
| MP20M23G5                | MS20M23G5  | 22-20 | 0.34-0.50                     | Gold 5μ"   |
| MP20M23G10               | MS20M23G10 | 22-20 | 0.34-0.50                     | Gold 10μ"  |
| MP20M23G15               | MS20M23G15 | 22-20 | 0.34-0.50                     | Gold 15μ"  |
| MP20M23G30               | MS20M23G30 | 22-20 | 0.34-0.50                     | Gold 30μ"  |
| MP24M23F                 | MS24M23F   | 26-24 | 0.14-0.25                     | Gold Flash |
| MP24M23G5                | MS24M23G5  | 26-24 | 0.14-0.25                     | Gold 5μ"   |
| MP24M23G10               | MS24M23G10 | 26-24 | 0.14-0.25                     | Gold 10μ"  |
| MP24M23G15               | MS24M23G15 | 26-24 | 0.14-0.25                     | Gold 15μ"  |
| MP24M23G30               | MS24M23G30 | 26-24 | 0.14-.025                     | Gold 30μ"  |

| Tooling, Machined |  |
|-------------------|--|
| Part Number       | Description                                  |
| QXRT16            | Contact Extraction Tool, #16 (Ø 1.6) Contact |
| MFY-3959          | Hand Crimp Tool for Machined Contacts        |
| MFY-3960          | Pneumatic Crimp Tool for Machined Contact    |

| Plating Options, All |  |
|----------------------|--|
| Symbol               | Plating                                    |
| T                    | Tin Plated (for Stamped & Formed Contacts) |
| S                    | Silver Plated 5Um (for Machined Contacts)  |
| F                    | Gold Plated                                |
| G5                   | Gold Plated (Thickness 5μ")                |
| G10                  | Gold Plated (Thickness 10μ")               |
| G15                  | Gold Plated (Thickness 15μ")               |
| G30                  | Gold Plated (Thickness 30μ")               |

| Crimp Contacts, Stamped & Formed |           |       |                               |            |
|----------------------------------|-----------|-------|-------------------------------|------------|
| Part Number                      |           | AWG   | Wire Range (mm <sup>2</sup> ) | Plating    |
| Male                             | Female    |       |                               |            |
| SP14M2F                          | SS14M2F   | 14    | 2.0-2.5                       | Gold Flash |
| SP14M2G5                         | SS14M2G5  | 14    | 2.0-2.5                       | Gold 5μ"   |
| SP14M2G10                        | SS14M2G10 | 14    | 2.0-2.5                       | Gold 10μ"  |
| SP14M2G15                        | SS14M2G15 | 14    | 2.0-2.5                       | Gold 15μ"  |
| SP14M2G30                        | SS14M2G30 | 14    | 2.0-2.5                       | Gold 30μ"  |
| SP16M2F                          | SS16M2F   | 18-16 | 0.75-1.5                      | Gold Flash |
| SP16M2G5                         | SS16M2G5  | 18-16 | 0.75-1.5                      | Gold 5μ"   |
| SP16M2G10                        | SS16M2G10 | 18-16 | 0.75-1.5                      | Gold 10μ"  |
| SP16M2G15                        | SS16M2G15 | 18-16 | 0.75-1.5                      | Gold 15μ"  |
| SP16M2G30                        | SS16M2G30 | 18-16 | 0.75-1.5                      | Gold 30μ"  |
| SP20M2F                          | SS20M2F   | 22-20 | 0.34-0.50                     | Gold Flash |
| SP20M2G5                         | SS20M2G5  | 22-20 | 0.34-0.50                     | Gold 5μ"   |
| SP20M2G10                        | SS20M2G10 | 22-20 | 0.34-0.50                     | Gold 10μ"  |
| SP20M2G15                        | SS20M2G15 | 22-20 | 0.34-0.50                     | Gold 15μ"  |
| SP20M2G30                        | SS20M2G30 | 22-20 | 0.34-0.50                     | Gold 30μ"  |
| SP24M2F                          | SS24M2F   | 26-24 | 0.14-0.25                     | Gold Flash |
| SP24M2G5                         | SS24M2G5  | 26-24 | 0.14-0.25                     | Gold 5μ"   |
| SP24M2G10                        | SS24M2G10 | 26-24 | 0.14-0.25                     | Gold 10μ"  |
| SP24M2G15                        | SS24M2G15 | 26-24 | 0.14-0.25                     | Gold 15μ"  |
| SP24M2G30                        | SS24M2G30 | 26-24 | 0.14-0.25                     | Gold 30μ"  |

| Tooling, Stamped & Formed |  |
|---------------------------|--|
| Part Number               | Description  |
| QXRT16                    | Contact Extraction Tool, #16 (Ø 1.6) Contact           |
| MFY-3954                  | Hand Tool, Stamped & Formed Contact, Size 16, 20-14AWG |
| MFY-3957                  | Crimp Die, Stamped & Formed Contact                    |

| Misc Tooling, All |                            |
|-------------------|----------------------------|
| Part Number       | Description                |
| CA-4020-59        | Sealing Plug, Size 16 & 20 |

| Standard Quantity Order Options |                   |
|---------------------------------|-------------------|
| Machined                        | Stamped & Formed  |
| Bulk Package, 500 Pieces        | Reel, 3000 Pieces |

单击下面可查看定价，库存，交付和生命周期等信息

[>>Amphenol\(安费诺\)](#)