

REV	ECN	DESCRIPTION	DATE	MODIFIED
C	C2711	Add dims for 6mm <sup>2</sup> components see table 2 in sheet 2	2018-01-25	Rock
D	C2841	ADJUST THE OD OF CABLE	May-17-18	Rock
E	C3324N	ADD 16SQ WIRE SIZE AND UPDATE P/N	May-14-19	LUK

### PART NUMBERING SCHEME

HVSL362 06 2

Series number

Type: Plug

Poles

Single shielded cable

Wire size: 16: 16mm<sup>2</sup> shielded wire

10: 10mm<sup>2</sup> shielded wire

06: 6mm<sup>2</sup> shielded wire

Interlock option

1:yes  
0:no

Key option:A,B,C,D,E

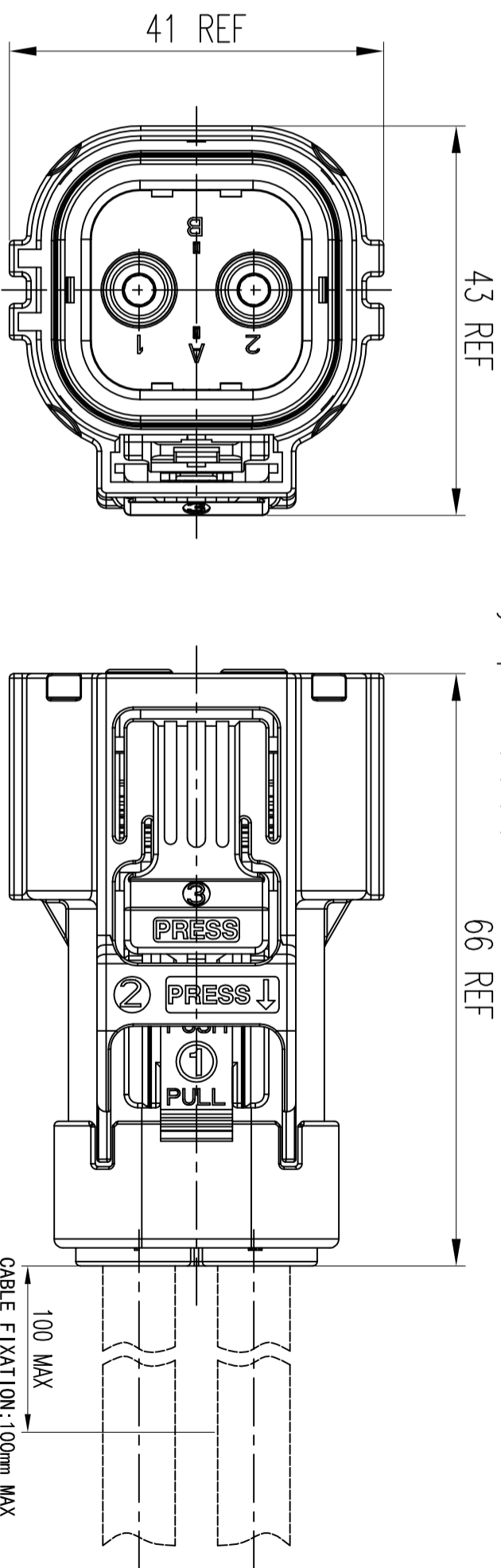
安费诺精密连接器(深圳)有限公司  
Amphenol PCD Shenzhen  
受控文件  
2019年5月23日

Material  
Housing : PA66 UL94-V0  
Contacts: Copper alloy,Ag plated  
Shield: Copper alloy,Tin plated  
Seal: Silicone  
Ferrule: Copper alloy,Tin plated

APPLICATION: POLLUTION DEGREE II  
OVERVOLTAGE CATEGORY II  
INHOMOGENEOUS FIELD  
ALTITUDE NO MORE THAN 2000M

★ IS CRITICAL CHARACTERISTIC SYMBOL/为关键特性  
◎ IS IMPORTANT CHARACTERISTIC SYMBOL/为重要特性

TECHINCAL DATA	SPECIAL CHARACTERISTICS SYMBOL
VOLTAGE RATING	1000V DC
WITHSTAND VOLTAGE	3000V AC
INSULATION RESISTANCE	>100M $\Omega$
CURRENT RATING	SIGNAL CONTACT
	POWER CONTACT
WATER PRROF (MATED CONDITION)	IP67
IP FOR FINGER TOUCH (UNMATED CONDITION)	IP2XB
SHIELDING FUNCTION	YES
MAX MATING CYCLES	50 TIMES
OPERATION TEMP.	-40-125°C
WIRE RANGE	6-16mm <sup>2</sup>

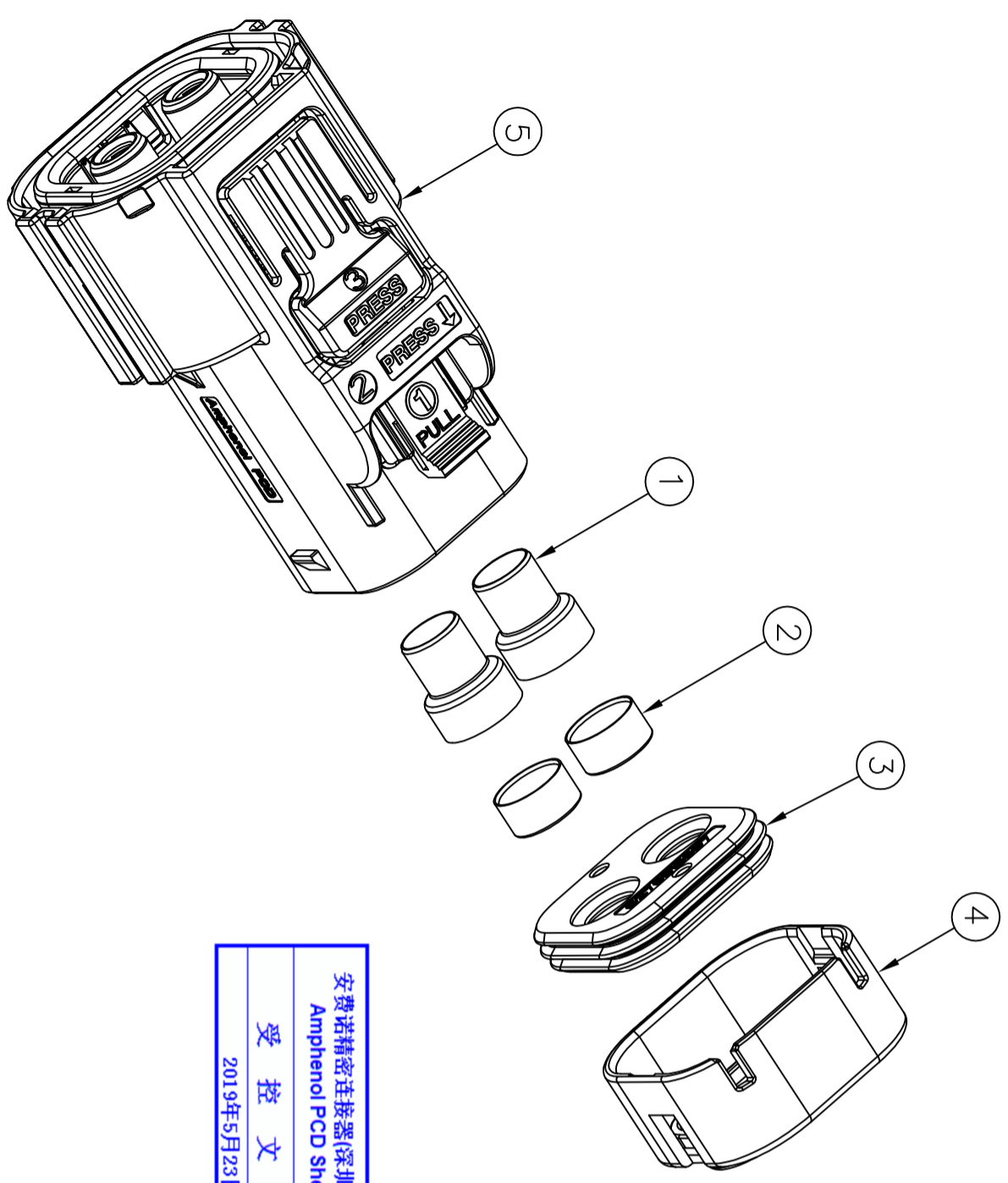


\*NOTES:  
1.HVSL362062A1101 shown in this sheet  
2.Recommend OD of shielded wire: 6mm<sup>2</sup>: $\phi$ 6.10- $\phi$ 6.50mm;10mm<sup>2</sup>: $\phi$ 8.4mm- $\phi$ 8.8mm; 16mm<sup>2</sup>:  $\phi$ 9.10- $\phi$ 9.90mm  
3.Power contact should be ordered separately,see below table  
4.Wire range:6mm<sup>2</sup>-16mm<sup>2</sup>  
5.RoHS compliance

CABLE FIXATION:100mm MAX  
距离连接器尾部100mm内线缆需要固定,线缆不能有摆动或转动

Assembly P/N	Wire size	Power contact P/N	Usage
HVSL362062X106I	6mm <sup>2</sup>	C3100235021	2Pcs
HVSL362062X110I	10mm <sup>2</sup>		2Pcs
HVSL362062X116I	16mm <sup>2</sup>	P03B500080	2Pcs
HVSL362062X116I	16mm <sup>2</sup>	P03B9M0196	2Pcs

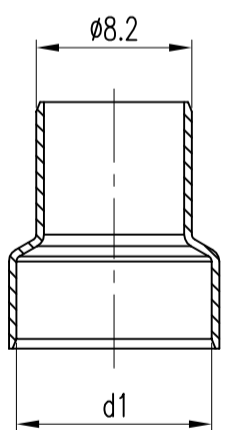
DIMENSIONS	TOLERANCES	PROJECTION	TITLE
ANSI Y14.5M UNITS: MM CAD FILE	X $\pm$ 0.5 .XX $\pm$ 0.05 ANGLES $\pm$ 2°		<b>HVSL362 2P PLUG</b> <b>6-16mm<sup>2</sup> WIRE SIZE</b>
ORIGINAL	THIS DOCUMENT CONTAINS PROPRIETARY INFORMATION WHICH IS THE CONFIDENTIAL PROPERTY OF AMPHENOL PCD SHENZHEN	CHKD Rock 2017.07.27	SIZE A3
		ENGR Sankar	DWG NO. C-HVSL362062XXXX1
		APPD Derek	SCALE NONE
			SHEET 1 OF 3



C-HVSL362062XXXXX1

Table 1

HVSL362062XX06I	5	HVSL362062XY(X=A,B,C,D,E;Y=0,1)	1	
	4	P03BP00016	1	
	3	P03BR000017	1	6mm <sup>2</sup> SHIELD CABLE OD=ø6.10-ø6.50mm
	2	C4200011202	2	
	1	C4200011603	2	
HVSL362062XX10I	5	HVSL362062XY(X=A,B,C,D,E;Y=0,1)	1	
	4	C4220011906	1	
	3	C4270011607	1	10mm <sup>2</sup> SHIELD CABLE OD=ø8.40-ø8.80mm
	2	C4200011902	2	
	1	C4200011901	2	
HVSL362062XX16I	5	HVSL362062XYS1(X=A,B,C,D,E;Y=0,1)	1	
	4	P03BP00002	1	
	3	P03BR00001	1	16mm <sup>2</sup> SHIELD CABLE OD=ø9.10-ø9.90mm
	2	P03BS00002	2	
	1	P03BS00001	2	
Assembly P/N	ITEM	COMPONENT P/N	QTY	REMARKS



ITEM1	Wire size	PART NUMBER	DIM "d1"
	16mm <sup>2</sup>	P03BS00001	ø11.4
	10mm <sup>2</sup>	C4200011901	ø10.3
ITEM2	Wire size	PART NUMBER	DIM "d2"
	6mm <sup>2</sup>	C4200011603	ø8.55
	16mm <sup>2</sup>	P03BS00002	ø9.9
ITEM3	Wire size	PART NUMBER	DIM "d3"
	10mm <sup>2</sup>	C4200011902	ø8.8
	6mm <sup>2</sup>	C4200011202	ø6.55
ITEM4	Wire size	PART NUMBER	DIM "d4"
	16mm <sup>2</sup>	P03BR00001	ø7.8
	10mm <sup>2</sup>	C4270011607	ø7.0
ITEM5	Wire size	PART NUMBER	DIM "d4"
	6mm <sup>2</sup>	P03BR000017	ø5.2
	16mm <sup>2</sup>	P03BP00002	ø10.2
ITEM5	Wire size	PART NUMBER	DIM "d4"
	10mm <sup>2</sup>	C4220011906	ø9.2
	6mm <sup>2</sup>	P03BP00016	ø7.2

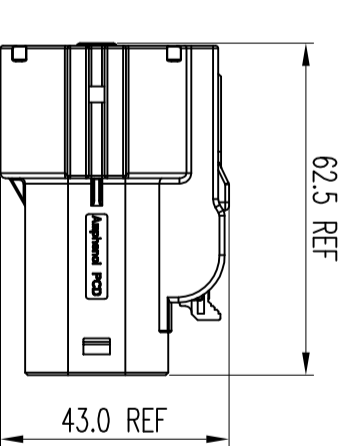


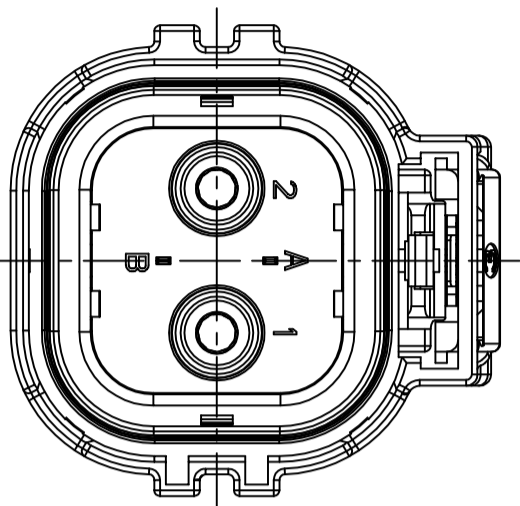
Table 2

ITEM4	Wire size	PART NUMBER	DIM "d4"
	10mm <sup>2</sup>	C4220011906	ø9.2
	6mm <sup>2</sup>	P03BP00016	ø7.2
ITEM5	Wire size	PART NUMBER	DIM "d4"
	10mm <sup>2</sup>	HVSL362062XY(X=A,B,C,D,E;Y=0,1)	
	6mm <sup>2</sup>	HVSL362062XYS1(X=A,B,C,D,E;Y=0,1)	

SIZE	DWG NO.	REV
A3	C-HVSL362062XXXXX1	E
CODE:	SCALE	SHEET
	NONE	2 OF 3

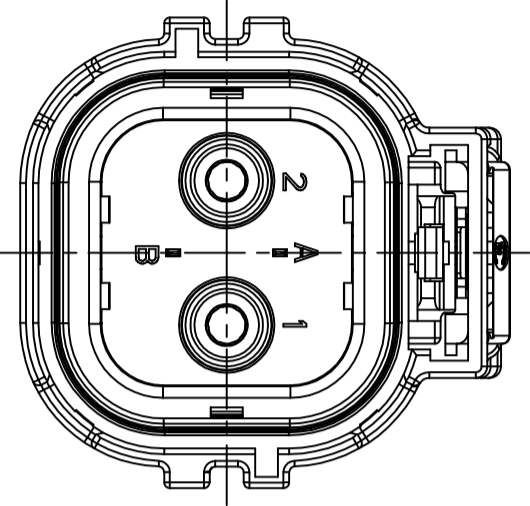
HVSL362062AXXXI

KEY A



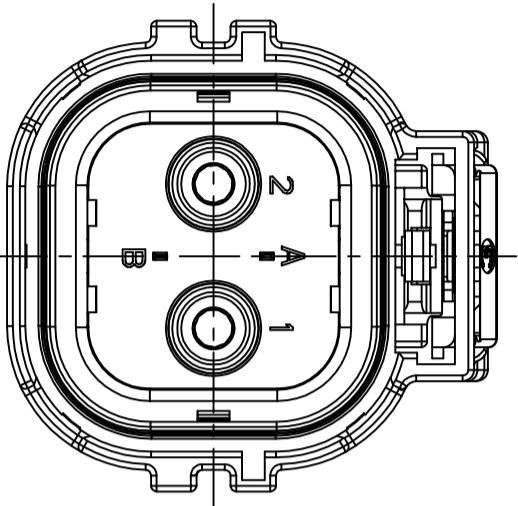
HVSL362062BXXXI

KEY B



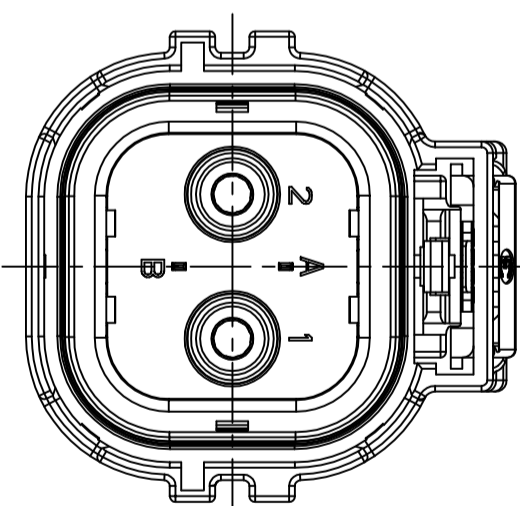
HVSL362062CXXXI

KEY C



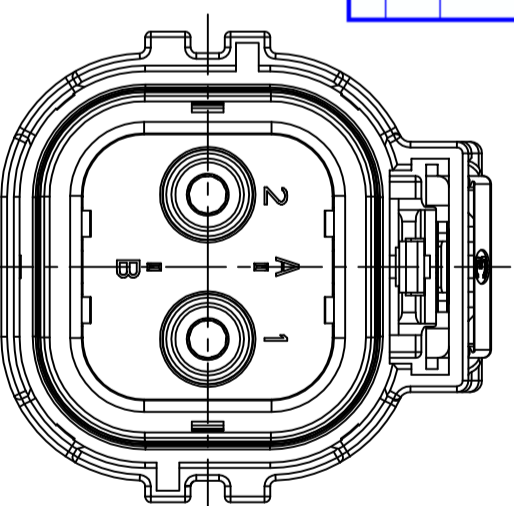
HVSL362062DXXXI

KEY D



HVSL362062EXXXI

KEY E



安费诺精密连接器(深圳)有限公司  
Amphenol PCD Shenzhen  
受控文件  
2019年5月23日

SIZE	DWG NO.	REV
A3	C-HVSL362062XXXXI	E
CODE:	SCALE	SHEET
	NONE	3 OF 3

单击下面可查看定价，库存，交付和生命周期等信息

[>>Amphenol\(安费诺\)](#)