

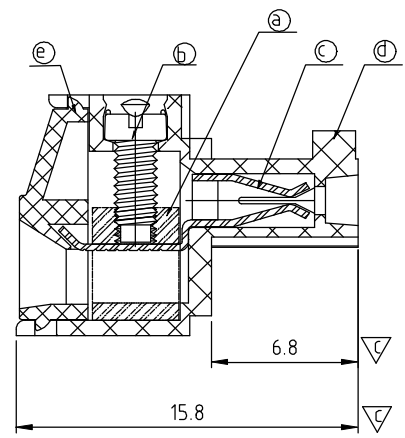
TJ xx 11 x 3 xxxx G

02 2 CONTACTS
 03 3 CONTACTS
 ...
 24 24 CONTACTS

Color
 0 Black (RAL9005)
 2 Red (RAL3001/D)
 3 Orange (RAL2011/P)
 4 Yellow (RAL1018/A)
 5 Green (RAL6018/T)
 6 Blue (RAL5015/A)
 8 Grey (RAL7035/D)
 9 White (RAL1102)
 C Green (RAL6018/U)

G RoHS compliant (lead<4%)
 In copper Alloy

0000 Standard @ Logo
 000A Standard ANY Logo
 0091 Standard ANY Logo
 Any special item by customer request, please contact sales department.



N = Number of poles
 Dim A = N x 3.5
 Dim B = (N-1) x 3.5

Poles	Dim A	Dim B
2p-6p	±0.15	±0.15
7p-12p	±0.20	±0.20
13p-18p	±0.25	±0.25
19p-24p	±0.30	±0.30

SIGN	DATE	DESCRIPTION	APPROVER
△	11/01'05	Electrical standard changed.	Marvin
△	04/20'06	2p to 6p with wedge is changed.	Marvin
△	8/13'06	Added VDE standard	梁仁松
△	10/30'06	Part No. is changed	Marvin
△	07/09'10	The solid and Stranded wire are changed from 16-26 to 16-28	Chen Bo
△	07/09'10	Remove the CSA mark	Chen Bo
△	08/12'13	update the drawing	Chen Bo

THIS IS CAD DRAWING, DO NOT REVISE MANUALLY!!!

Material

- Item a Clamp: Brass (CuZn) Ni plated
- Item b Terminal screw: Steel Zinc plating "-" slot type
- Item c Female contact: PhBz, Tin plated
- Item d Terminal (housing): PA66 (UL94V-0)
- Item e Terminal cover: PA66 (UL94V-0)

- △ △ △ Electrical cULus/VDE
- Voltage rating: 300VAC/300VAC
 - Current rating: 10A/10.5A
 - Wire range: 1.5mm²
 - Solid wire (AWG): 16-28
 - Stranded wire (AWG): 16-28
 - Torque: 3Lb-In/0.2Nm
 - Screw: M2
 - Wire strip length: 6-7mm
 - Withstanding Voltage: 1.6KV/2.5KV
 - Operating temperature: -40°C to +115°C
 - Safety Approval: cULus VDE
 - Critical dimension: ∇

ANYTEK				CUSTOMER COPY					
								ALL RIGHTS RESERVED. REPRODUCTION OR ISSUE TO THIRD PARTIES IN ANY FORM WHATSOEVER IS NOT PERMITTED WITHOUT WRITTEN AUTHORITY FROM THE PROPRIETOR. PROPERTY OF ANYTEK TECHNOLOGY CO., LTD	
TITLE		TJ-3.5mm Series 2p-24p				DWG NO.		8TJ0501	
PART NO.		TJxx11x3xxxxG				CUST NO.			
APPROVED		CHECKED		DESIGNED		DRAWN		Tolerance	
				Chen Bo 08/12'13		Chen Bo 08/12'13		X. ±0.50	
								X.X ±0.30	
								X.XX ±0.10	
								X° ±1°	
						SHEET: 01/01		UNIT: mm	
								SCALE: NONE	
								REV.: H	

单击下面可查看定价，库存，交付和生命周期等信息

[>>Amphenol\(安费诺\)](#)