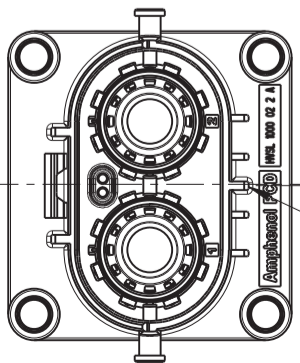
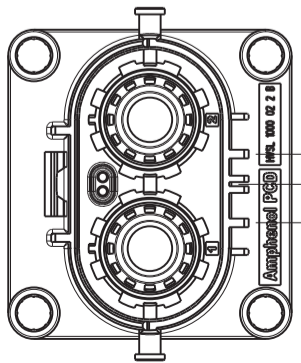


CUSTOMER DRAWING

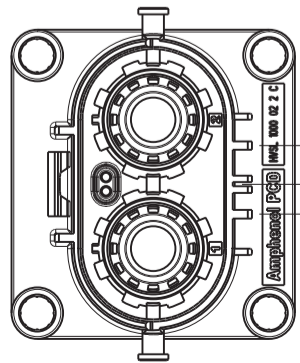
SCALE 3:5



KEY  
HVSL 1000 02 2 A  
CODING A



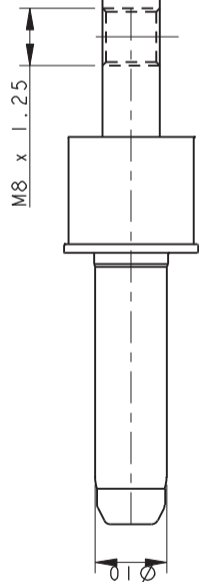
HVSL 1000 02 2 B  
CODING B



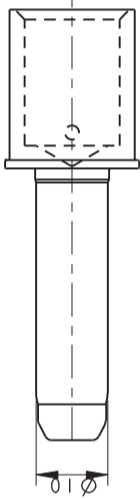
HVSL 1000 02 2 C  
CODING C



CONTACT FOR IL (INTER-LOCK) USE  
(0.5 mm<sup>2</sup> MAX. WIRE)  
P/N: C200003609

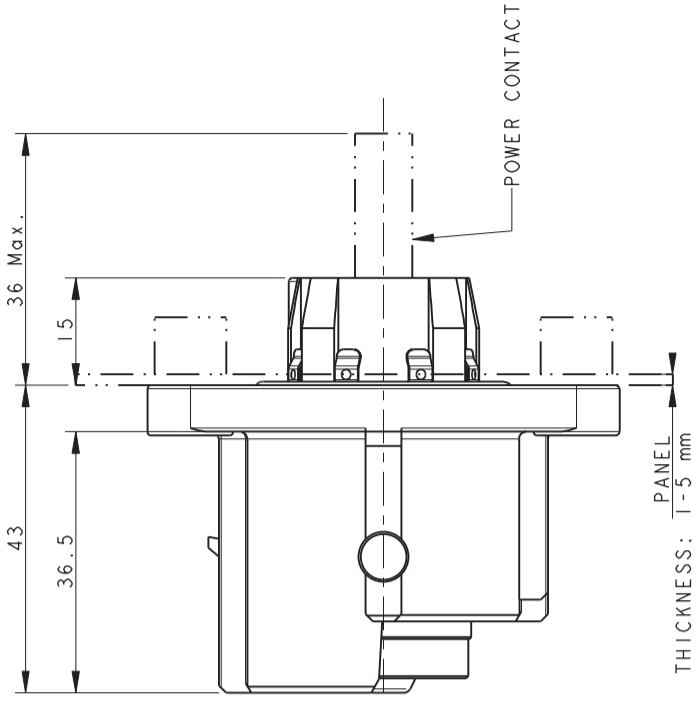


POWER CONTACT (THREAD FOR BUS-BAR)  
P/N: C4200036152



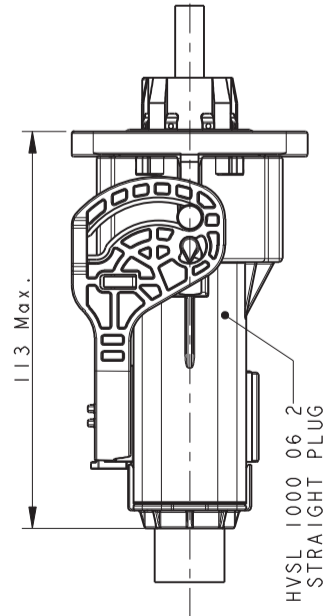
POWER CONTACT (CRIMP FOR WIRE)

- P/N: C42000361511 --70 mm<sup>2</sup> WIRE OD=19.0 ± 0.7MM
- C42000361512 --50 mm<sup>2</sup> WIRE OD=16.5 ± 0.4MM
- C42000361513 --35 mm<sup>2</sup> WIRE OD=14.2 ± 0.4MM
- C42000361514 --25 mm<sup>2</sup> WIRE OD=11.9 ± 0.3MM



NOTES:

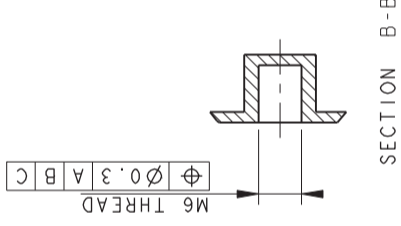
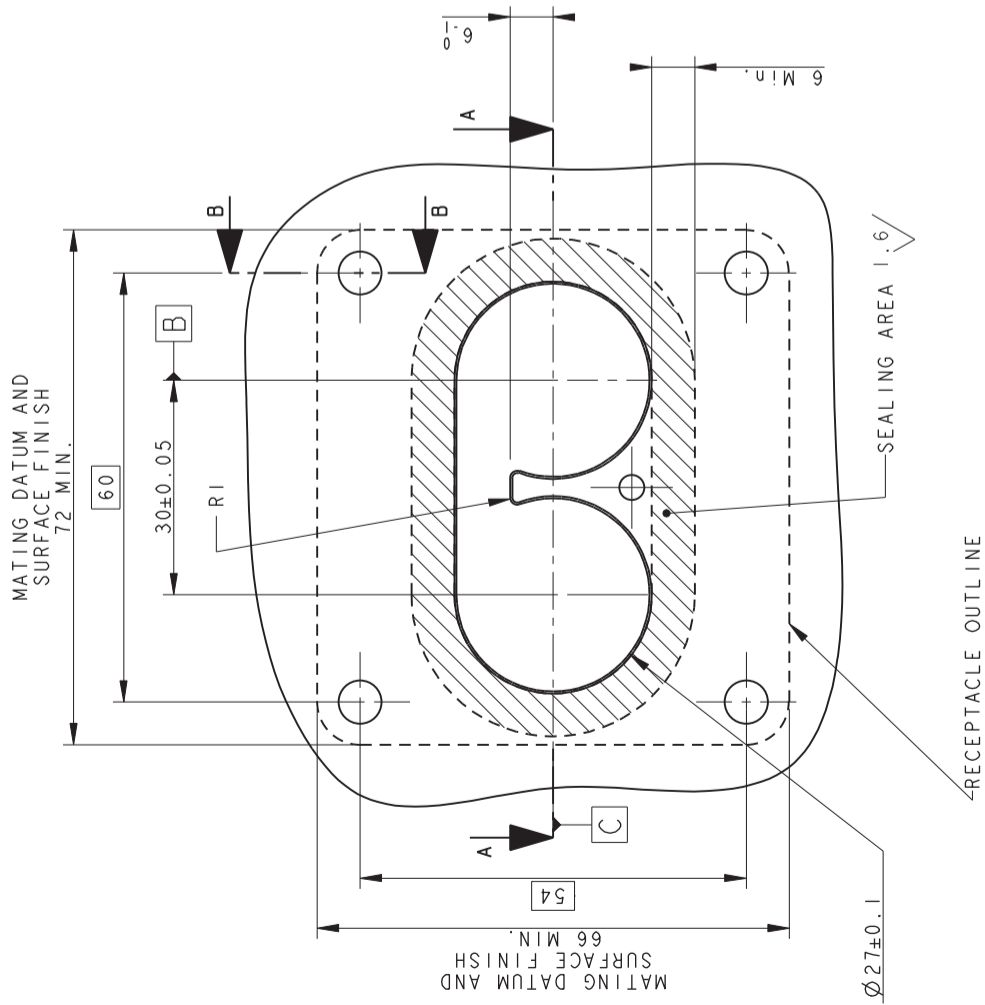
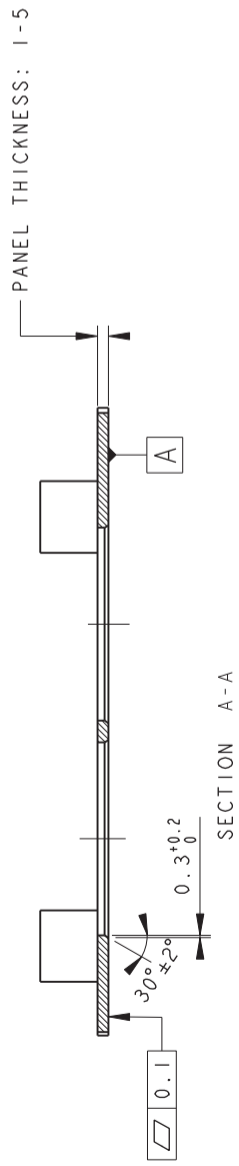
1. MATERIAL & FINISH:  
PLASTIC BODY: THERMOPLASTICS UL 94V-0 ORANGE COLOR  
POWER CONTACT: COPPER ALLOY SILVER PLATED  
IL CONTACTS: COPPER ALLOY GOLD PLATED  
SHIELDING: COPPER ALLOY TIN PLATED  
RING: STAINLESS STEEL  
O-RING: SILICONE RUBBER
2. ELECTRICAL CHARACTERISTICS:  
HIGH VOLTAGE RATED 1000 V DC MAX.  
CURRENT RATED 250 A MAX.  
WITHSTANDING VOLTAGE 3000 V AC  
PRODUCTS ARE COMPLIANCE WITH EN 60664-1 POLLUTION II
3. ENVIRONMENT CHARACTERISTICS:  
IP67 IP6K9K RATED (WHEN MATING)  
IP2XB RATED FOR FINGER TOUCH-PROOF
4. DELIVERY WITHOUT CONTACTS. THE CONTACTS SHOULD BE ORDERED SEPARATELY.
5. SEE APCD-TD-073 FOR ASSEMBLY INSTRUCTION.



CONNECTORS MATED OUTLINE

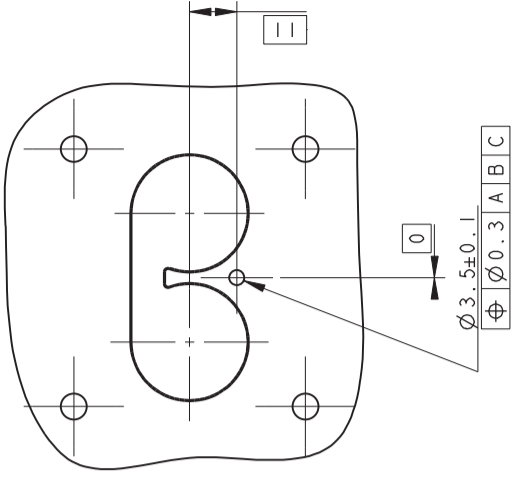
|  |   |                      |              |   |
|--|---|----------------------|--------------|---|
| DIMENSIONS<br>ANSI Y14.5M<br>UNITS: MM<br>Pro/E FILE | TOLERANCES<br>.X ±0.3<br>.XX ±0.10<br>ANGLES ±0.5°  | PROJECTION<br>       | TITLE        |   |
|  |   |                      |              | HVSL 1000 02 2 X<br><b>BOX MOUNTING RECEPTACLE ASSEMBLY</b> |
| ORIGINAL<br>NOT FOR<br>CUSTOMER<br>DISTRIBUTION      | THIS DOCUMENT CONTAINS<br>PROPRIETARY INFORMATION WHICH<br>IS THE CONFIDENTIAL PROPERTY<br>OF AMPHENOL PCD SHENZHEN | ENGR<br>CHKD<br>APPD | SIZE         | REV   |
|  |   |                      | A3           | 4   |
| CODE: 58982  |   | SCALE: 1:1           | SHEET 1 OF 2 | DWG NO.<br><b>C-HVSL1000022X</b>                            |

# PANEL DRILLING

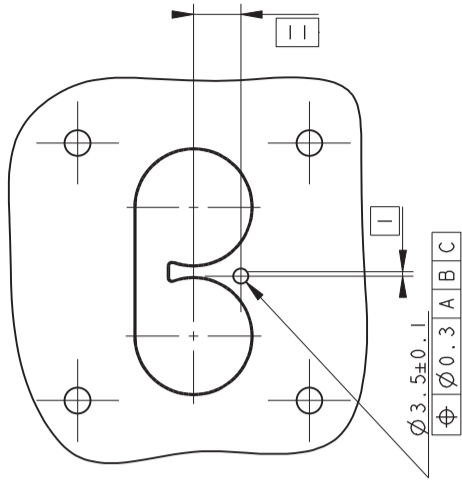


CODING A

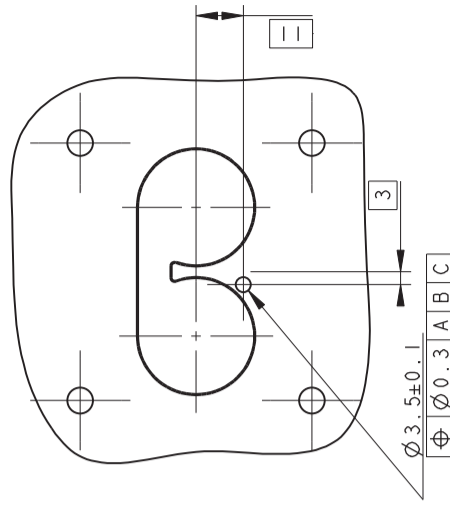
SCALE 3:5



CODING B



CODING C



|             |                |              |
|-------------|----------------|--------------|
| SIZE        | DWG NO.        | REV          |
| A3          | C-HVSL1000022X | 4            |
| CODE: 58982 | SCALE: 1:1     | SHEET 2 OF 2 |

单击下面可查看定价，库存，交付和生命周期等信息

[>>Amphenol\(安费诺\)](#)