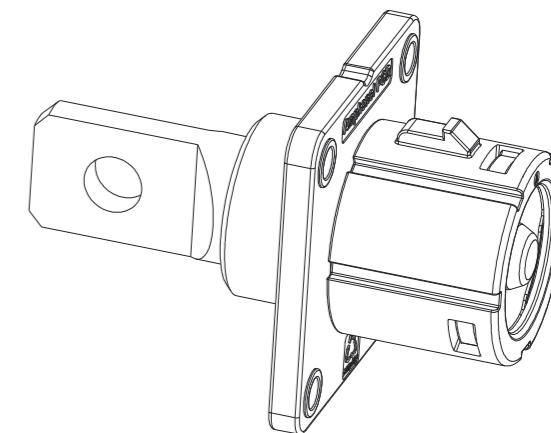
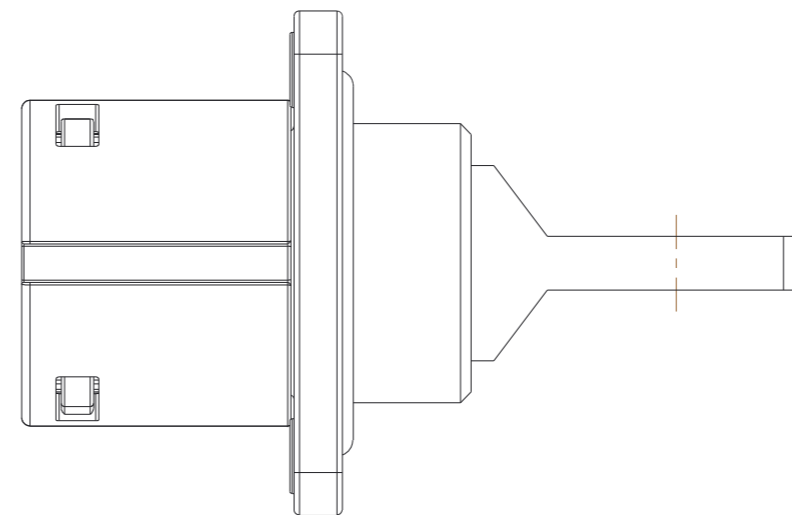
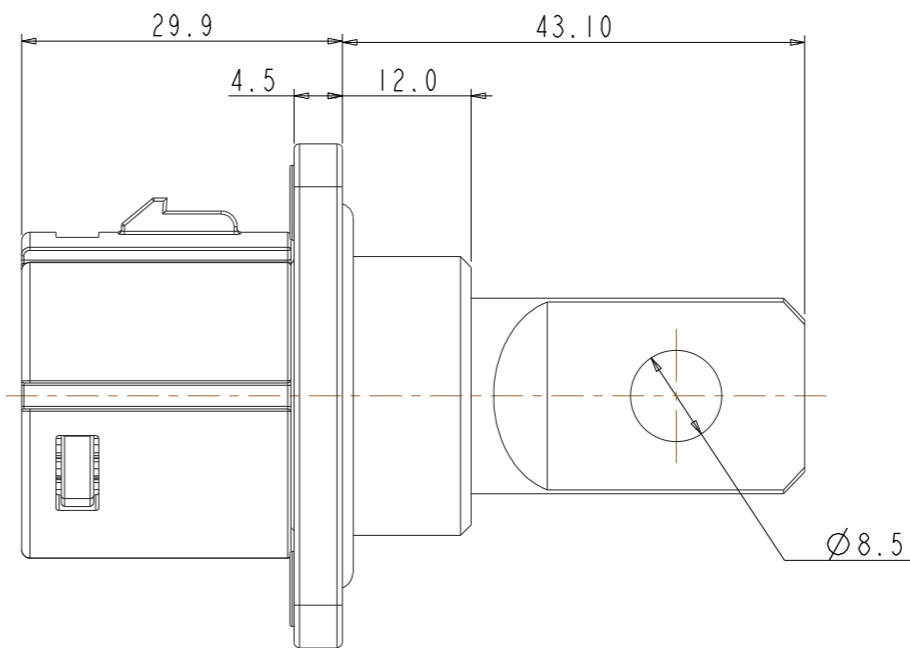
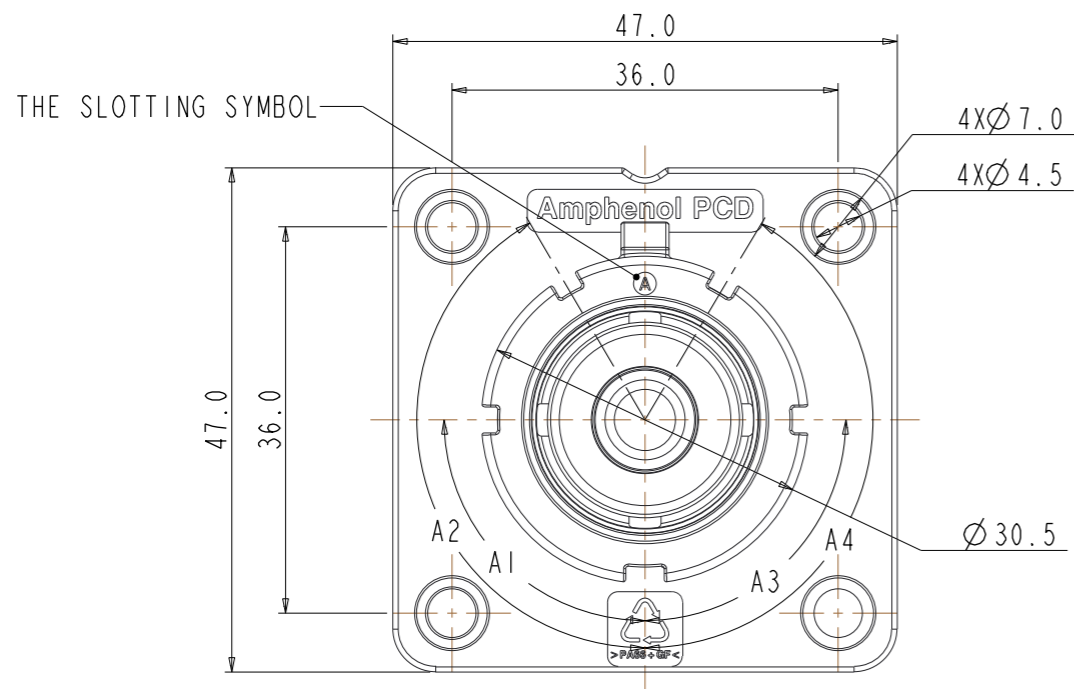


CUSTOMER DRAWING

REV	ECN	DESCRIPTION	DATE	MODIFIED
B		PRE-RELEASE	30-MAR-15	SEVN.TAO



SCALE 1:1

NOTE:
ABOUT THE * STAND FOR IN PART NUMBER HVSP-OR10-MH*
-THE * STAND FOR COLOR OF INSULATOR(SEE TABLE 1)

TABLE 1

PART NO.	A1	A2	A3	A4
HVSP-OR10-MHA	90°	150°	90°	150°
HVSP-OR10-MHB	90°	120°	90°	120°
HVSP-OR10-MHC	120°	150°	120°	150°
HVSP-OR10-MHD	120°	150°	90°	150°
HVSP-OR10-MHE	90°	150°	120°	150°

TECHNICAL DATA	
CURRENT RATE(70MM ² CABLE)	UP TO 250A
CURRENT RATE(50MM ² CABLE)	UP TO 180A
UL RATING VOLTAGE (OVERVOLTAGE CATEGORY II POLLUTION DEGREE 2)	1000V DC
OPERATING TEMPERATURE	-40~125°C
DIELECTRIC WITHSTANDING VOLTAGE	3000V AC
INSULATION RESISTANCE	2000MΩ MIN. 25°C, NO CABLE
DURABILITY	200 CYCLES
SHIELDING	NO
WATERPROOF(MATED CONDITION)	IP 67
AMBIENT TEMPERATURE	-40~70°C
PROTECTION LEVEL	IP2XB

DIMENSIONS ANSI Y14.5M UNITS: MM Pro/E FILE	TOLERANCES .X ±0.2 .XX ±0.10 ANGLES ±0.5°	PROJECTION 	Amphenol Pcd Shenzhen ENGR SEVN.TAO 30-MAR-15 CHKD APPD	TITLE HVSP-R10 RECEPTACLE
ORIGINAL NOT FOR CUSTOMER DISTRIBUTION	THIS DOCUMENT CONTAINS PROPRIETARY INFORMATION WHICH IS THE CONFIDENTIAL PROPERTY OF AMPHENOL PCD SHENZHEN		SIZE A3	DWG NO. HVSP-OR10-MHX
			REV B	CODE: 58982
			SCALE: 2:1	SHEET 1 OF 1

HVSP-OR10-MHX

HVSP-OR10-MHX

单击下面可查看定价，库存，交付和生命周期等信息

[>>Amphenol\(安费诺\)](#)