

REV	ECN	DESCRIPTION	DATE	MODIFIED
B		FIRST RELEASE	2017.03.20	R.Q

# CUSTOMER DRAWING

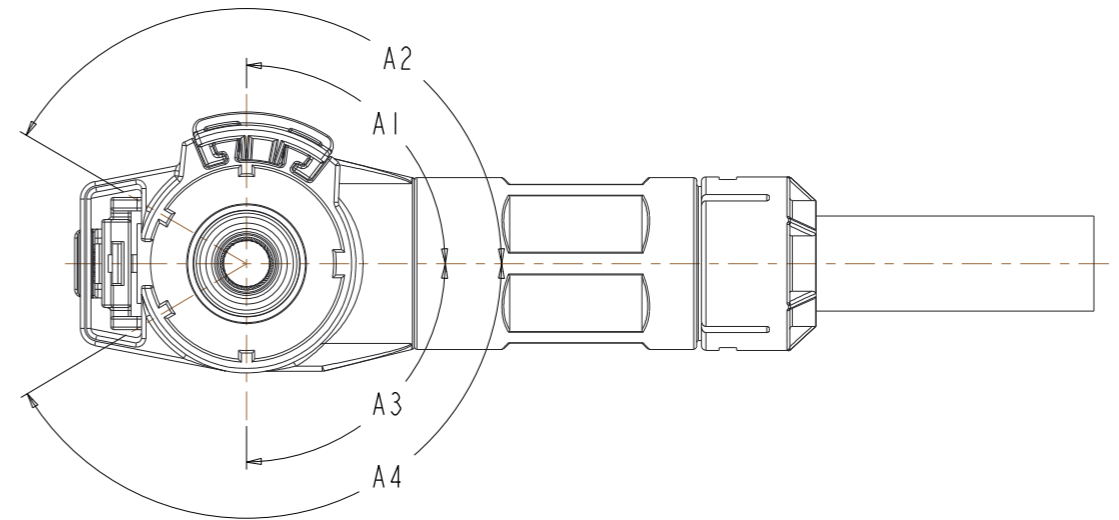
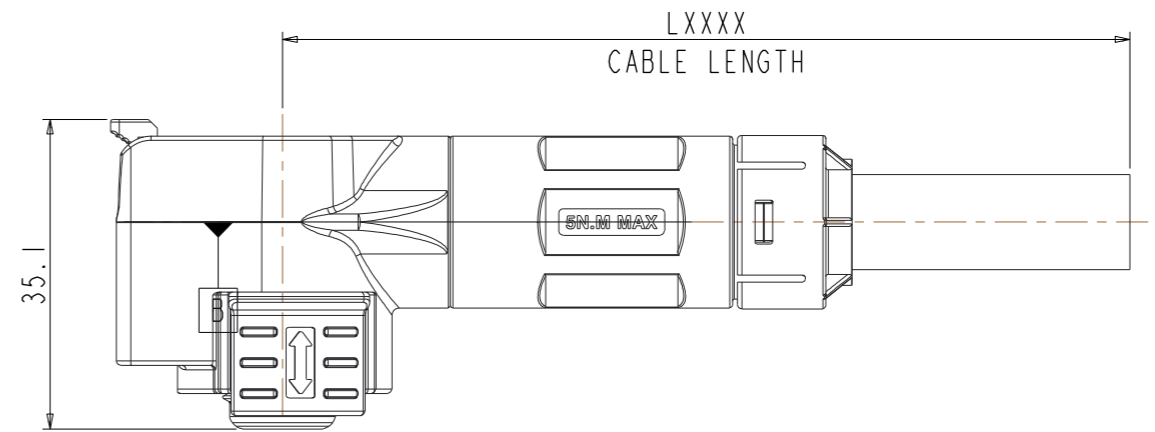
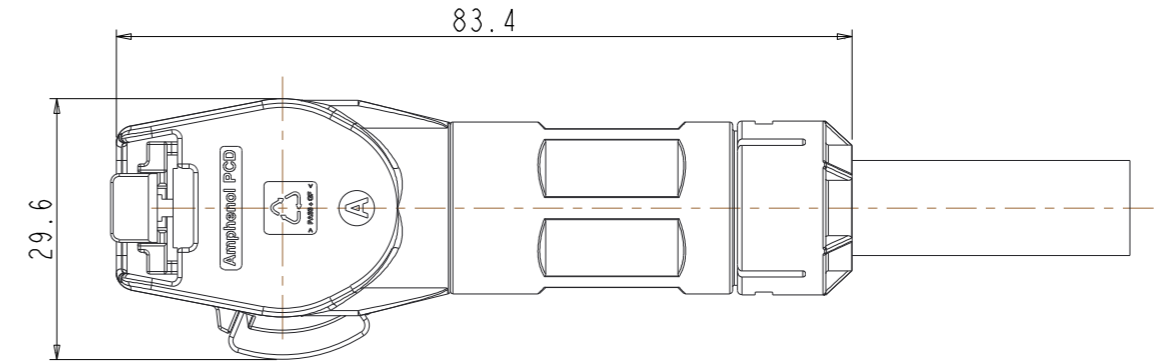
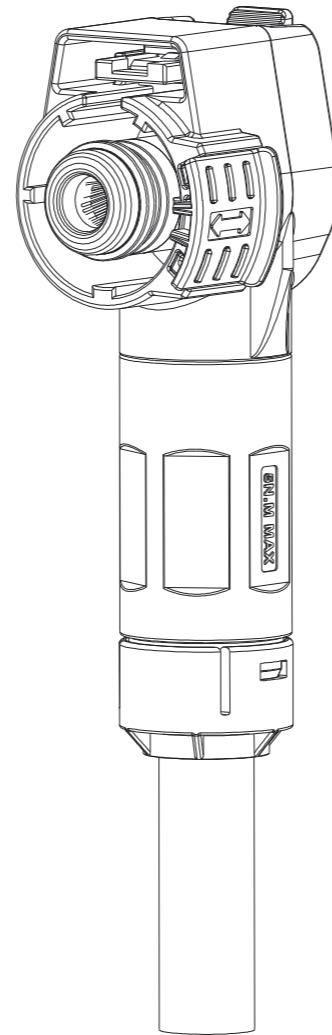
NOTE:  
 ABOUT THE \* STAND FOR IN PART NUMBER HVSP-9R6-FC\*-25L\*\*\*\*  
 -THE FIRST \* STAND FOR THE KING OF SLOTTING (SEE TABLE 1)  
 -THE SECOND 25 STAND FOR THE CABLE SIZE (SEE TABLE 2)  
 -THE LAST \* STAND FOR CABLE LENGTH

TABLE 1

PART NO.	A1	A2	A3	A4
HVSP-9R6-FCA-XXLXXXX	90	150	90	150
HVSP-9R6-FCB-XXLXXXX	90	120	90	120
HVSP-9R6-FCC-XXLXXXX	120	150	120	150
HVSP-9R6-FCD-XXLXXXX	120	150	90	150
HVSP-9R6-FCE-XXLXXXX	90	150	120	150

TABLE 2

P/N	CABLE SIZE	CABLE OD(MM)
25	25MM^2 UNSHIELDING CABLE	9.5 TO 11



TECHNICAL DATA	
CURRENT RATE(25MM^2 CABLE)	UP TO 120A
UL RATING VOLTAGE (OVERVOLTAGE CATEGORY II POLLUTION DEGREE 2)	1000V DC
OPERATING TEMPERATURE	-40~125°C
DIELECTRIC WITHSTANDING VOLTAGE	3000V AC
INSULATION RESISTANCE	2000MΩ MIN. 25 C, NO CABLE
DURABILITY	200 CYCLES
SHIELDING	NO
WATERPROOF(MATED CONDITION)	IP 67
AMBIENT TEMPERATURE	-40~70°C
PROTECTION LEVEL	IP2XB

<b>DIMENSIONS</b> ANSI Y14.5M UNITS: MM Pro/E FILE	<b>TOLERANCES</b> X ±0.1 .XX ±0.01 ANGLES ±0.5°	<b>PROJECTION</b> 	<b>Amphenol Pcd Shenzhen</b>		<b>TITLE</b> HVSP-R6 PLUG			
			ENGR R.Q 2017.03.20	CHKD	APPD	SIZE <b>A3</b>	DWG NO. <b>HVSP-9R6-FCXX-25LXXXX</b>	REV <b>B</b>
<b>ORIGINAL</b> NOT FOR CUSTOMER DISTRIBUTION			THIS DOCUMENT CONTAINS PROPRIETARY INFORMATION WHICH IS THE CONFIDENTIAL PROPERTY OF AMPHENOL PCD SHENZHEN			CODE: 58982	SCALE: 2:1	SHEET 1 OF 1

HVSP-9R6-FCXX-25LXXXX

HVSP-9R6-FCXX-25LXXXX

单击下面可查看定价，库存，交付和生命周期等信息

[>>Amphenol\(安费诺\)](#)