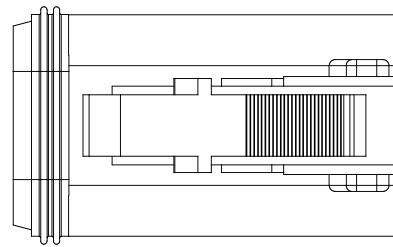
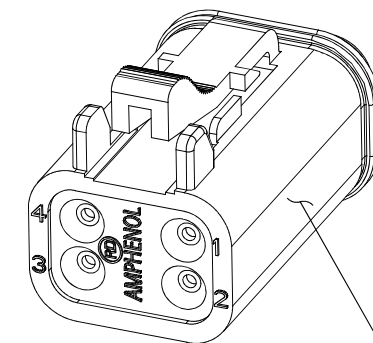
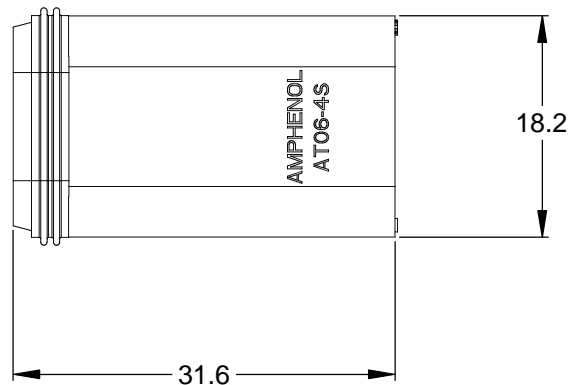
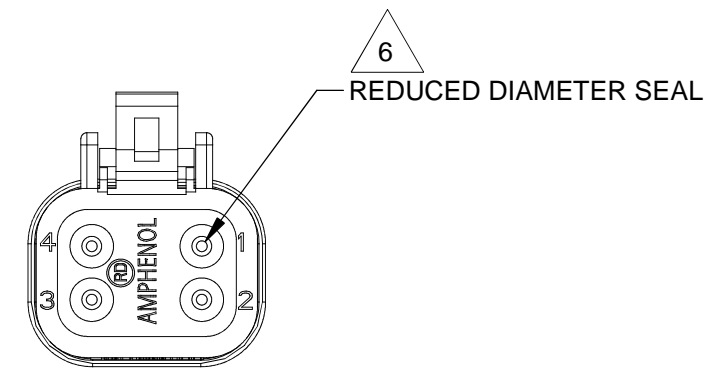
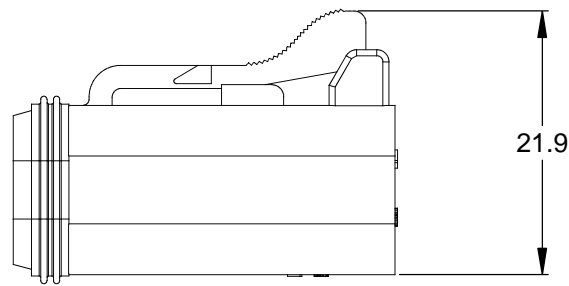
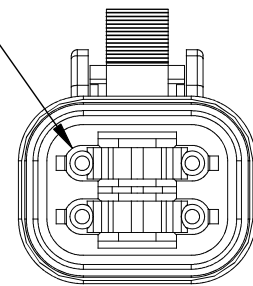


| REVISIONS | | | | | |
|-----------|-----|------------------------|---------|-----|------|
| REV | ECO | DESCRIPTION | DATE | BY | APPR |
| A3 | - | RELEASE NEW DWG FORMAT | 11DEC13 | DRP | |



REQUIRES CONTACT RETENTION WEDGE AW4S



STANDARD MOLDED COLOR IS GREY. ADDITIONAL COLORS SHOWN IN PART NUMBER CHART ARE AVAILABLE VIA SPECIAL ORDER.

NOTES: UNLESS OTHERWISE SPECIFIED

- MATERIAL:
HOUSING: THERMOPLASTIC
SEAL: SILICONE RUBBER
- MODIFICATIONS: REDUCED DIAMETER WIRE SEAL
- SPECIFICATIONS:
 - CURRENT RATING: 13 AMPS
 - OPERATING TEMPERATURE: -55°C TO +125°C
 - DIELECTRIC WITHSTANDING VOLTAGE: LESS THAN 2 MILLIAMPS CURRENT LEAKAGE @ 1500 VOLTS AC.
 - INSULATION RESISTANCE: 1000 MEGOHMS MIN @ 25°C.
 - MOISTURE RESISTANCE: IP67 (MATED CONDITION)
 - MATING CYCLE DURABILITY: 100 CYCLES
 - RoHS COMPLIANT
- MATING PART: AT04-4P* RECEPTACLE
(* = MODIFICATIONS AND COLORS)
- ALL DIMENSIONS ARE FOR REFERENCE USE ONLY.

6 CONTACT SIZE AND REAR SEAL WIRE RANGE:

| CONTACT SIZE | MIN. INSUL O.D. | MAX. INSUL O.D. | TYPICAL WIRE RANGE |
|--------------|-------------------|-------------------|--------------------|
| 16 | 1.35 mm (.053 in) | 3.05 mm (.120 in) | 14 - 20 AWG |

| PART NUMBER CHART | |
|-------------------|-----------------|
| COLOR | PART NUMBER |
| GREY | AT06-4S-RD01 |
| BLACK | AT06-4S-RD01BLK |
| BLUE | AT06-4S-RD01BLU |
| BROWN | AT06-4S-RD01BRN |
| GREEN | AT06-4S-RD01GRN |
| RED | AT06-4S-RD01RED |
| WHITE | AT06-4S-RD01WHT |
| YELLOW | AT06-4S-RD01YEL |

| SEE PART NUMBER CHART | | DESCRIPTION | | ITEM |
|---|-------------|-------------|--|---|
| QUANTITY | PART NUMBER | DESCRIPTION | | ITEM |
| <p>UNLESS OTHERWISE SPECIFIED</p> <p>1) All dimensions are in metric(mm). 2) Tolerances are as follows: 1 PL DEC ±0.30 Fractions ±1/64 2 PL DEC ±0.15 Angles ±1° 3 PL DEC ±0.08</p> <p>3) Note reference = </p> | | | | |
| SIGNATURES | | DATE | | <p>Amphenol</p> <p>Sine Systems - www.amphenol-sine.com 44724 Morley Drive Clinton Township, MI 48036</p> <p>PLUG, 4 SOCKET, AT SERIES, REDUCED DIAMETER WIRE SEAL</p> |
| DRAWN: D.PARKS | | 11DEC13 | | |
| CHECKED: | | | | |
| ENGINEER: | | | | |
| APPROVAL: | | | | <p>SIZE: B C- DWG NO: AT06-4S-RD01XXX REVISION: A3</p> <p>SCALE: NONE SHEET 1 OF 1</p> |
| CUSTOMER: | | | | |
| MATERIAL SPECIFICATIONS: | | | | |
| PROCESS SPECIFICATIONS: | | | | |
| NEXT ASSY: | | | | |

TITLE: PLUG, 4 SOCKET, AT SERIES, REDUCED DIA. WIRE SEAL
DWG NO: AT06-4S-RD01XXX
REV: A3
SH: 1
OF: 1

单击下面可查看定价，库存，交付和生命周期等信息

[>>Amphenol\(安费诺\)](#)