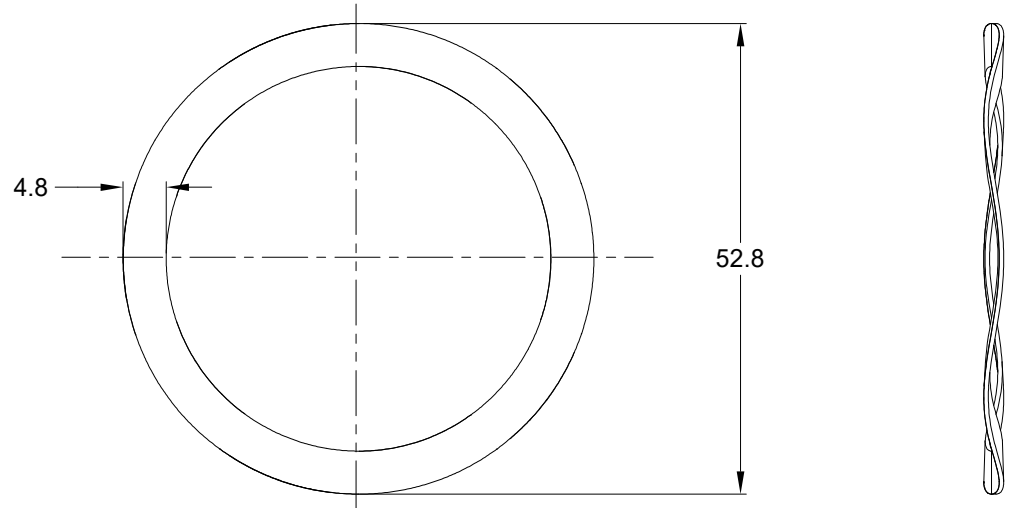


REVISIONS					
REV	ECO	DESCRIPTION	DATE	BY	APPR
A1		RELEASE NEW PRODUCT	10AUG15	ORION	TOMMY
A2		ADD PLATING IN NOTE	14SEP21	ORION	TOMMY



NOTES: UNLESS OTHERWISE SPECIFIED

1. MATERIAL: 0.52MM STEEL; NICKEL PLATED.
2. RoHS COMPLIANT.
3. USE WITH AHDP SERIES SIZE 24 RECEPTACLE.
4. ALL DIMENSIONS ARE FOR REFERENCE USE ONLY.

AT14-001-2486		REF: 2414-001-2486									
PART NUMBER		DESCRIPTION									
QUANTITY	MATERIALS LIST										
<p>UNLESS OTHERWISE SPECIFIED</p> <p>1) All dimensions are in metric(mm).</p> <p>2) Tolerances are as follows:</p> <p>1 PL DEC ±0.30 Fractions ±1/64</p> <p>2 PL DEC ±0.15 Angles ±1°</p> <p>3 PL DEC ±0.08</p> <p>3) Note reference = </p>		<p>SIGNATURES</p> <p>DRAWN: ORION.LI 14SEP21</p> <p>CHECKED: ORION.LI 14SEP21</p> <p>ENGINEER:</p> <p>APPROVAL: TOMMY.XIE 14SEP21</p> <p>CUSTOMER:</p>									
MATERIAL SPECIFICATIONS:		<p>Amphenol</p> <p>Sine Systems - www.amphenol-sine.com 44724 Morley Drive Clinton Township, MI 48036</p>									
PROCESS SPECIFICATIONS:		<p>LOCK WASHER, SIZE 24, AHDP SERIES</p>									
NEXT ASSY:		<p>THIS DRAWING IS SUPPLIED FOR INFORMATION ONLY. DESIGN FEATURES, SPECIFICATIONS AND PERFORMANCE DATA SHOWN HEREON ARE THE PROPERTY OF THE AMPHENOL CORPORATION. NO RIGHTS OF REPRODUCTION ARE IMPLIED. ALL DIMENSIONS ARE SUBJECT TO NORMAL MANUFACTURING VARIATIONS.</p>	<table border="1"> <tr> <td>SIZE</td> <td>TYPE</td> <td>DWG NO:</td> <td>REVISION</td> </tr> <tr> <td>A</td> <td>C-</td> <td>AT14-001-2486</td> <td>A2</td> </tr> </table>	SIZE	TYPE	DWG NO:	REVISION	A	C-	AT14-001-2486	A2
SIZE	TYPE	DWG NO:	REVISION								
A	C-	AT14-001-2486	A2								
		SCALE: NONE	SHEET 1 OF 1								

单击下面可查看定价，库存，交付和生命周期等信息

[>>Amphenol\(安费诺\)](#)