

PRODUCT DESCRIPTION CODE :

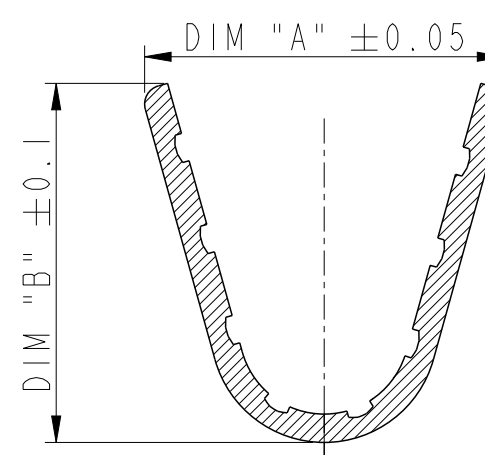
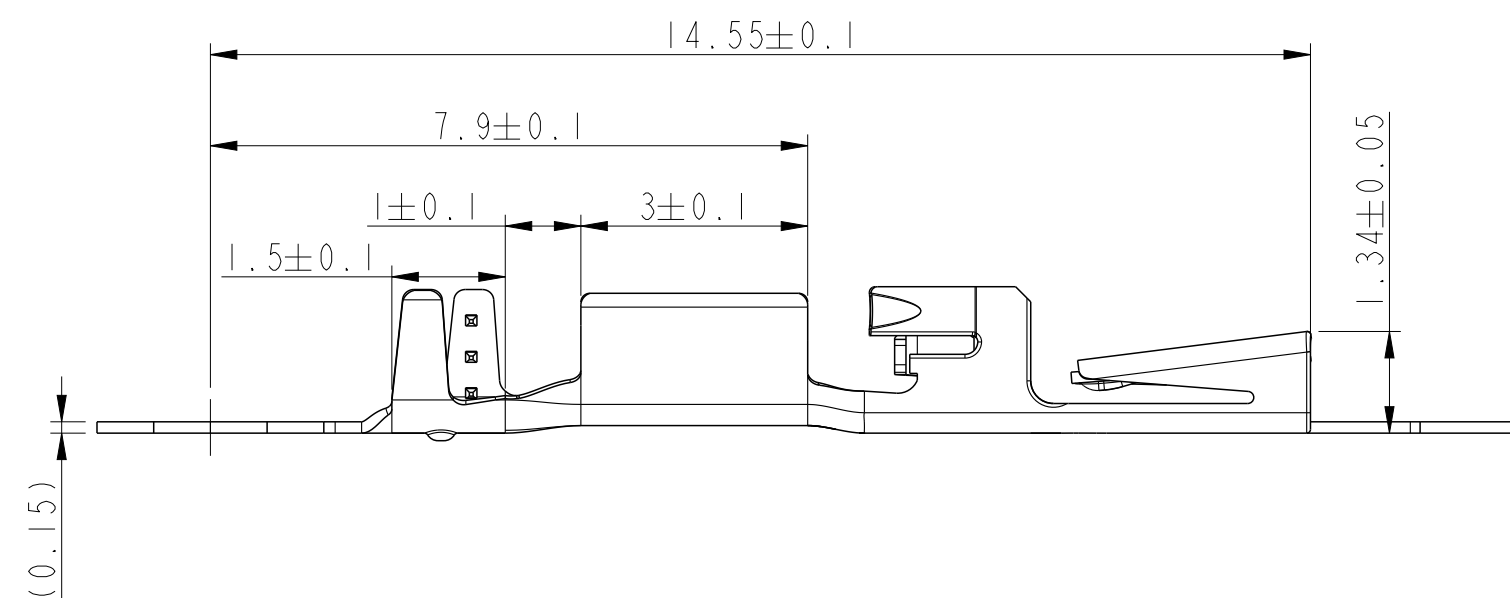
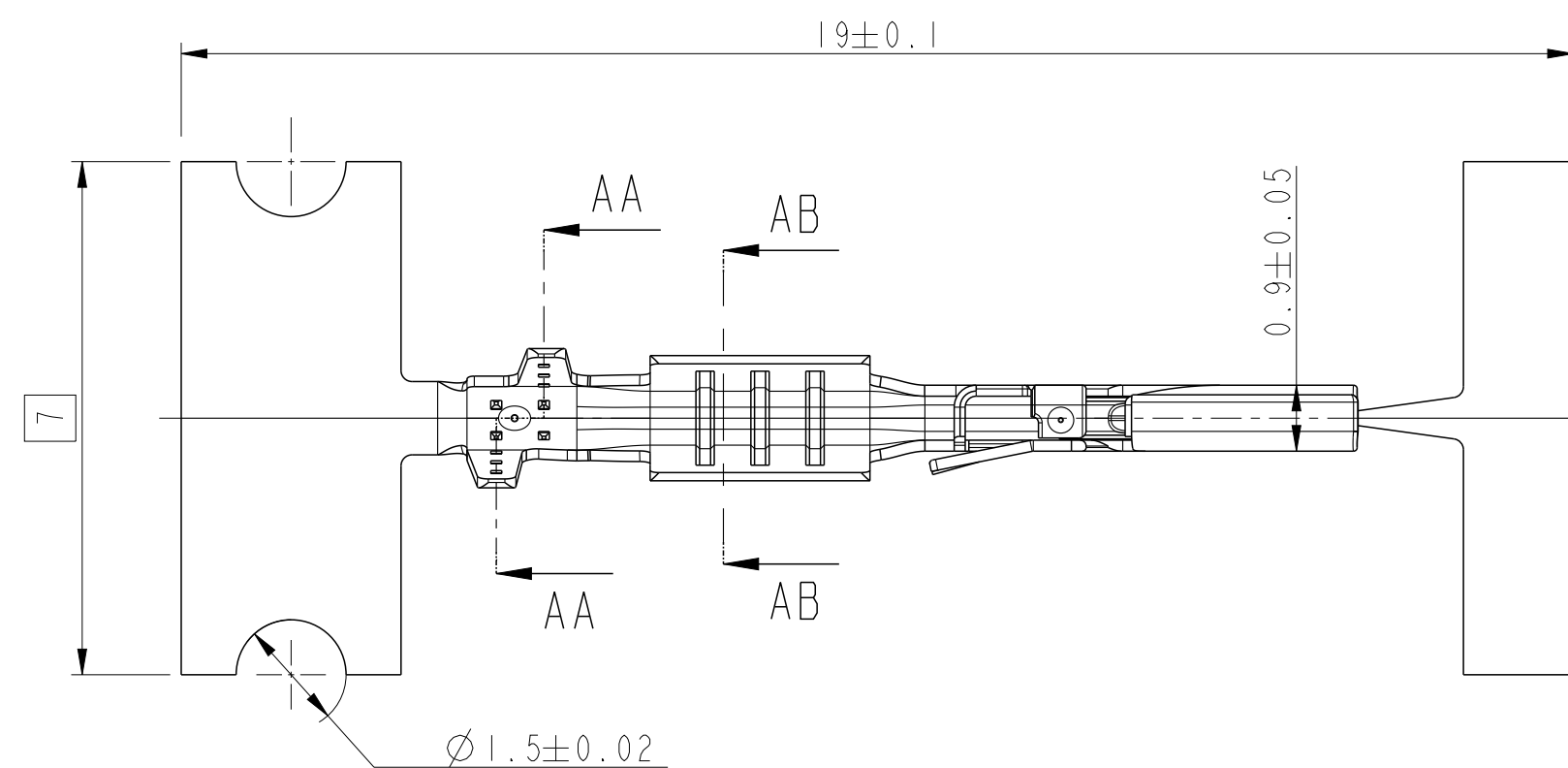
10141272-111 LF

- RoHS COMPLIANT, LEAD FREE
- UNREELING DIRECTION, SEE NOTE 5 :  
BLANK = DIRECTION 1  
"A" = DIRECTION 2 (ON REQUEST)
- FOR CUSTOMER CODE :  
BLANK = GENERAL USE  
V = CUSTOMER DEDICATED PART
- APPLICABLE AWG, SEE NOTE 1
- PLATING :  
1 = 3µm MIN MATTE TIN (CONTACT AREA)  
3 = 0.76µm MIN GOLD (CONTACT AREA)  
  
ALL OVER 1.27µm MIN Ni UNDERLAYER

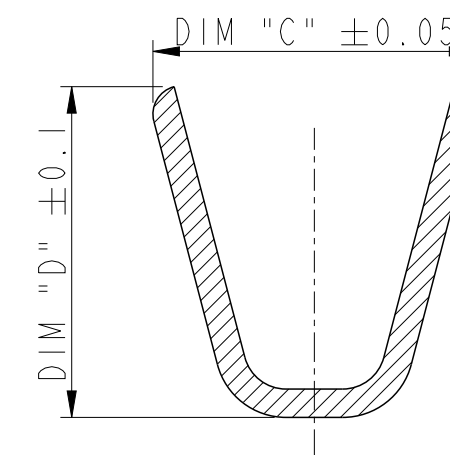
PRODUCT NO	WIRE SIZE	DIM "A"	DIM "B"	DIM "C"	DIM "D"
10141272-111LF	AWG 22	1.9	1.9	1.7	1.75
10141272-112LF	AWG 26-28	1.9	1.8	1.6	1.25
10141272-113LF	AWG 24	1.9	1.9	1.7	1.55

NOTES

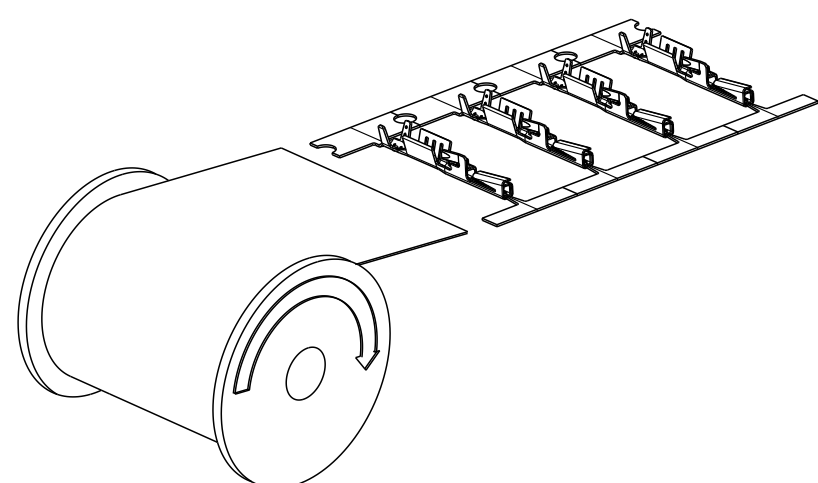
- 1 - APPLICABLE AWG  
1- AWG #22  
2- AWG #26-28  
3- AWG #24
- 2 - PRODUCT SPECIFICATION : GS-12-1422
- 3 - APPLICATION SPECIFICATION AS PER GS-20-0513
- 4 - PACKAGING : 15.000 PCS/REEL
- 5 - UNREELING DIRECTION :  
-DIRECTION 1 FOR PN FINISHING BY -LF  
-DIRECTION 2 FOR PN FINISHING BY -ALF
- 6 - RoHS COMPATIBLE PRODUCT SPECIFICATIONS  
a - LABELLING :  
MEETS PACKAGING SPECS AS PER GS-14-920  
b - LEGAL STATEMENT :  
SEE GS-47-0004.



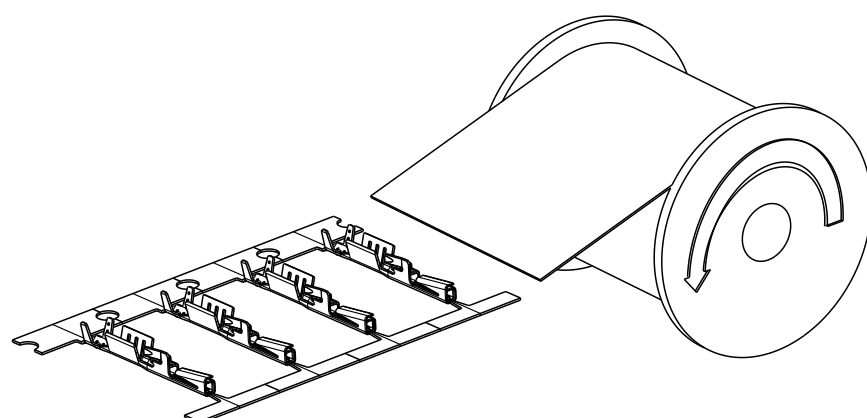
SECTION AA-AA  
SCALE 25:1



SECTION AB-AB  
SCALE 25:1



UNREELING DIRECTION 1



UNREELING DIRECTION 2 (ON REQUEST)

spec ref	GS-12-1422	dr	Sawarath, Ambaa	2017/07/06	projection	mm	size	A2	scale	10:1	
tolerance std	ISO 406 ISO 1101	eng	Cyril Jeune	2019/08/23			ecn no	ELX-F-34657-1			
TOLERANCES UNLESS OTHERWISE SPECIFIED		chr	Hyppias, Arnaud	2019/08/23				rel level	Released		
surface	linear	0.X	±0.1		product family		dwg no	10141272			
		0.XX	±0.05		RECEPTACLE TERMINAL			rev	D		
	angular	0.XXX	±-		MINITEK µSPACE				Product - Customer Draw sheet 1 of 1		
		0	±2°	cat. no.			PDS: Rev :D				
							STATUS:Released		Printed: May 24, 2022		

单击下面可查看定价，库存，交付和生命周期等信息

[>>Amphenol\(安费诺\)](#)