

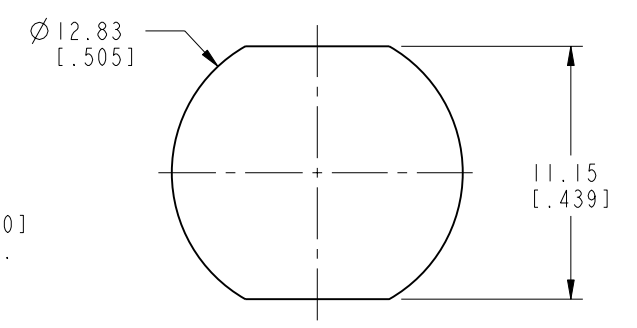
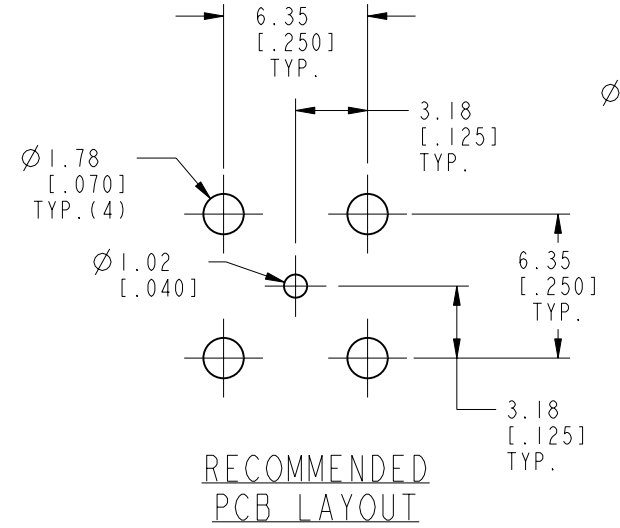
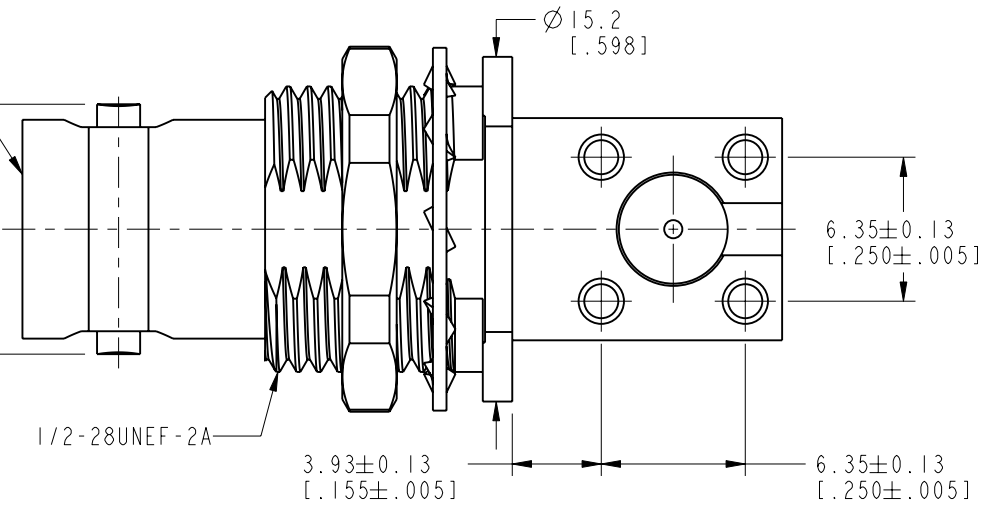
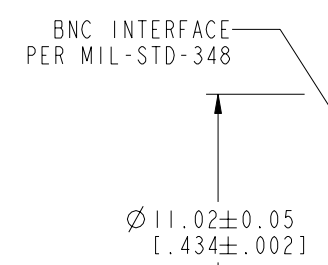
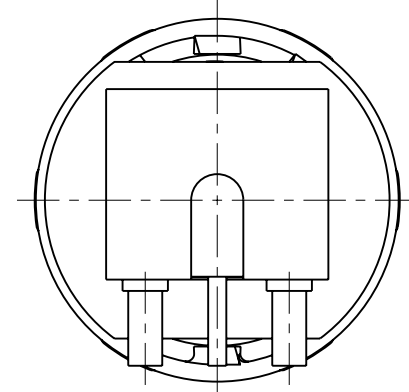
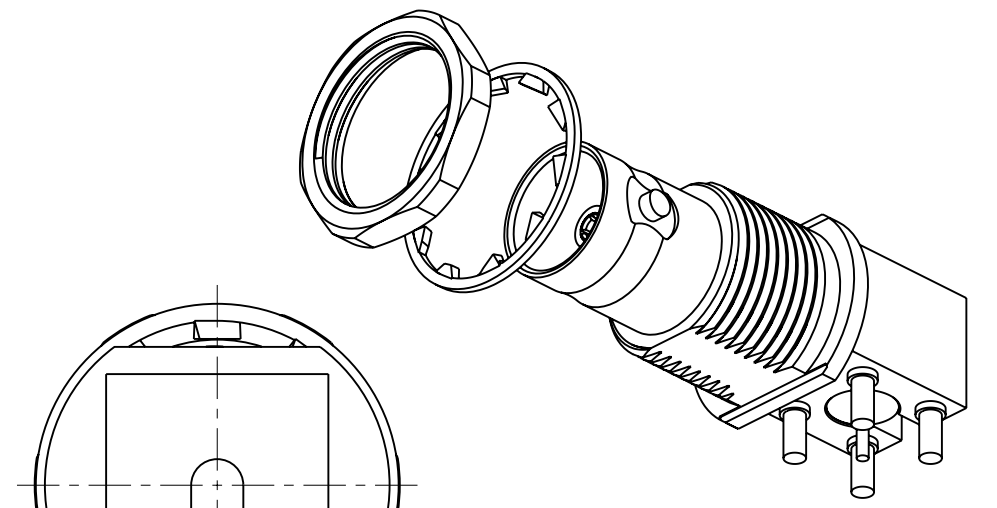
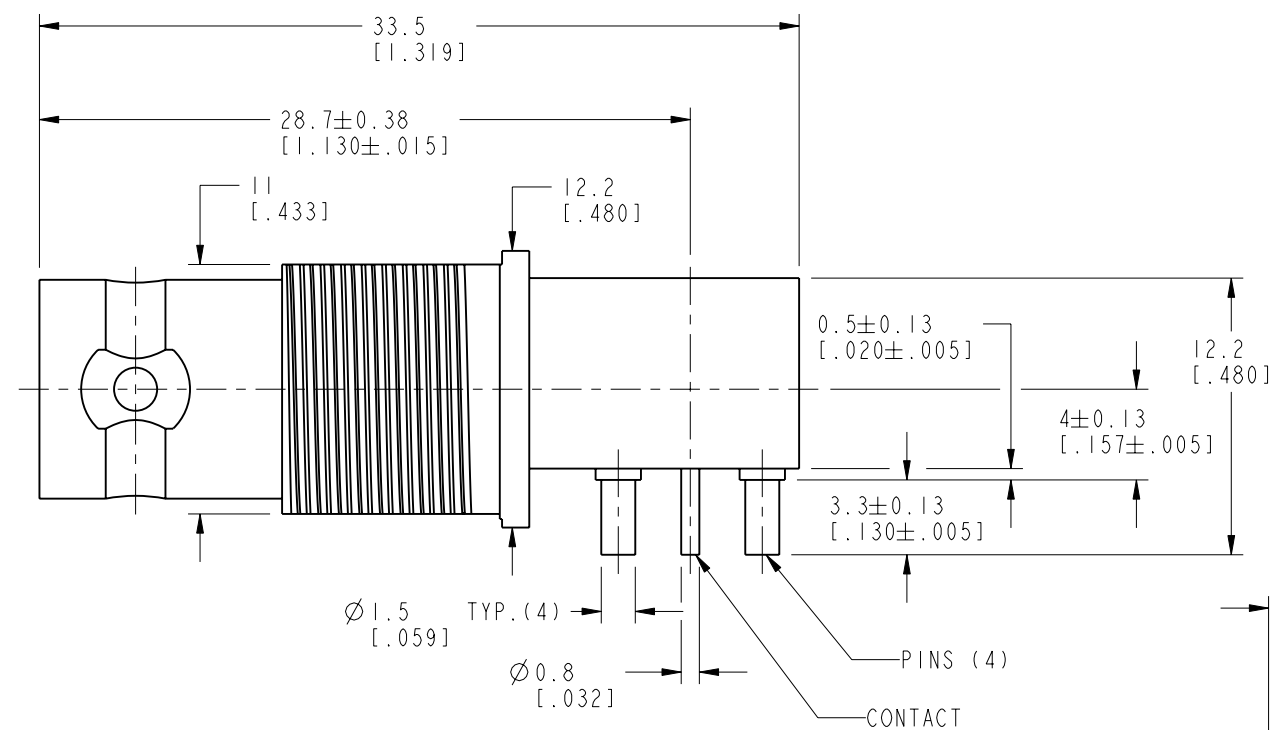
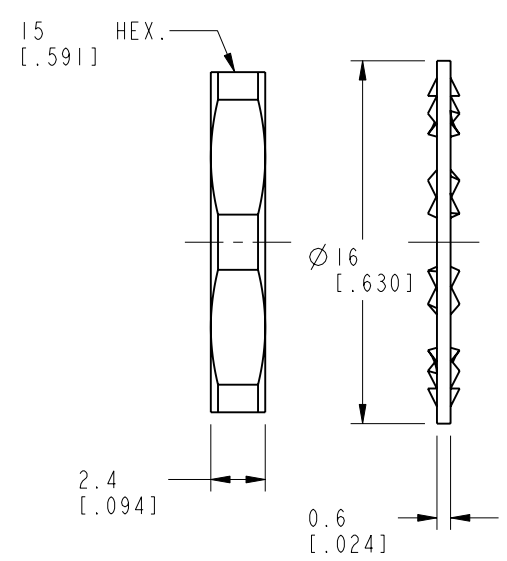
NOTES:

1. MATERIALS AND FINISHES:
 BODY - BRASS, NICKEL PLATING
 CONTACT - PHOSPHOR BRONZE, GOLD PLATING
 RING, HEX NUT - BRASS, NICKEL PLATING
 LOCKWASHER - PHOSPHOR BRONZE, NICKEL PLATING
 PINS (4) - BRASS, GOLD PLATING
 INSULATOR - PTFE
2. ELECTRICAL:
 A. IMPEDANCE: 75 OHM
 B. FREQUENCY RANGE: DC - 3 GHz
 C. DIELECTRIC WITHSTANDING VOLTAGE: 1500 VRMS, MIN.
3. MECHANICAL:
 A. DURABILITY: 500 CYCLES MIN.
 B. TEMPERATURE RANGE: -65° C TO +165° C
4. PACKAGING:
 A. QUANTITY: SINGLE PACK
 B. MARKING: BAG TO BE MARKED
 "AMPHENOL RF, 31-70221, AND DATE CODE"
5. DO NOT SCALE THIS DRAWING

THIRD ANGLE PROJ.

REVISIONS

REV	DESCRIPTION	DATE	ECO	APPR
--	RELEASE TO MFG	----	----	----
K	REDRAWN IN PRO/E, BODY WAS ZINC DIE CAST	9/14/10	48239	
L	NOTE 1 PINS (4) WAS PIN; ADD REF FOR PINS & CONTACT	12/8/11	48873	
M	RELEASED AT ARFA	27-Jan-15	50381	SH
N	CORRECTED INTERNAL ASSEMBLY NOTE, SEE SHEET 1 /RD-DM17010901S6	16-Jan-17	02861	SW



CUSTOMER OUTLINE DRAWING
 ALL OTHER SHEETS ARE FOR INTERNAL USE ONLY

UNLESS OTHERWISE SPECIFIED, DIMENSIONS ARE IN METRIC AND TOLERANCES ARE:
 <0.5mm ±0.05mm 0.5 - 6mm ±0.1mm 6 - 30mm ±0.2mm 30 - 120mm ±0.3mm ANGLES ±1°

NOTICE - These drawings, specifications, or other data (1) are, and remain the property of Amphenol corp. (2) must be returned upon request; and (3) are confidential and not to be disclosed to any person other than those to whom they are given by Amphenol Corp. the furnishing of these drawings, specifications, or other data by Amphenol Corp., or to any other person for any purpose is not to be regarded by implication or otherwise in any manner licensing, granting rights to permitting such holder or any other person to manufacture, use or sell any product, process or design, patented or otherwise, that may in any way be related to or disclosed by said drawings, specifications, or other data.

MATERIAL	DRAWN STAMN	DATE 16-Jan-17
REFERENCE	ENGINEER T. SMITH	DATE 13-Aug-10
CONFIGURATION LEVEL:	APPROVED S. HSIEH	DATE 16-Jan-17
FINISH	CAD FILE	

TITLE BNC RIGHT ANGLE 75 OHM PCB JACK	SCALE: 2.0:1.0	SHEET 2 OF 2
	DWG SIZE B	REV N

Amphenol RF www.amphenolrf.com	
DRAWING NO. 31-70221	
ITEM NO. 31-70221	
PART NO. 31-70221	

单击下面可查看定价，库存，交付和生命周期等信息

[>>Amphenol\(安费诺\)](#)