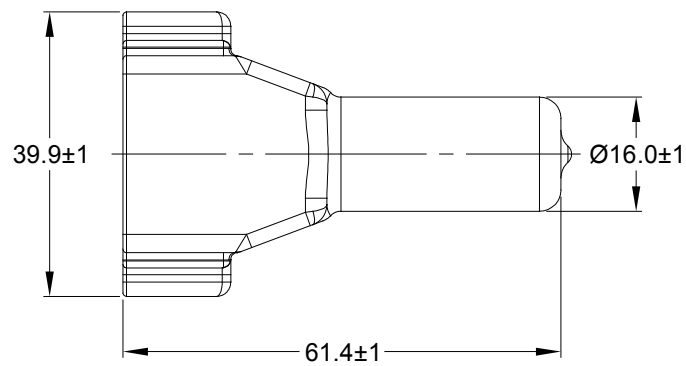
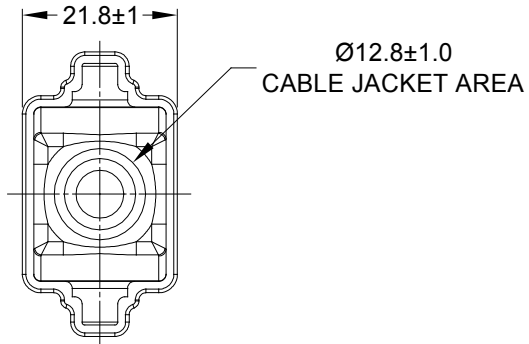
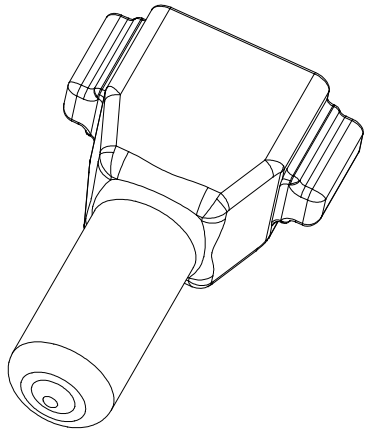


REVISIONS					
REV	ECO	DESCRIPTION	DATE	BY	APPR
A1	-	RELEASE NUMBER	28AUG19	BROOK	TOMMY



PART NUMBER CHART	
COLOR	PART NUMBER
GREY	AT8S-BT
BLACK	AT8S-BT-BK
YELLOW	AT8S-BT-YW

NOTES: UNLESS OTHERWISE SPECIFIED

- THIS PART IS USED ON AT06-08S PLUG WITH ANY MODIFICATION THAT DOES NOT INCLUDE AN END CAP.
- TEMPERATURE RATING : -29°C TO +100°C [-20°F TO +212°F]
- ALL DIMENSIONS ARE FOR REFERENCE USE ONLY.

SEE PART NUMBER CHART		REF: DT8S-BT , DT8S-BT-BK , DT8S-BT-YW		
PART NUMBER		DESCRIPTION		
QUANTITY	MATERIALS LIST			ITEM
UNLESS OTHERWISE SPECIFIED 1) All dimensions are in metric(mm). 2) Tolerances are as follows: 1 PL DEC ±0.30 2 PL DEC ±0.15 3 PL DEC ±0.08 Fractions ±1/64 Angles ±1° 3) Note reference =		SIGNATURES DRAWN: BROOK.DING CHECKED: ORION.LI ENGINEER: APPROVAL: TOMMY.XIE CUSTOMER:		DATE 28AUG19 28AUG19 28AUG19
MATERIAL SPECIFICATIONS: PVC		THIS DRAWING IS SUPPLIED FOR INFORMATION ONLY. DESIGN FEATURES, SPECIFICATIONS AND PERFORMANCE DATA SHOWN HEREON ARE THE PROPERTY OF THE AMPHENOL CORPORATION. NO RIGHTS OF REPRODUCTION ARE IMPLIED. ALL DIMENSIONS ARE SUBJECT TO NORMAL MANUFACTURING VARIATIONS.		Amphenol Sine Systems - www.amphenol-sine.com 44724 Morley Drive Clinton Township, MI 48036
PROCESS SPECIFICATIONS:		SIZE: A C- TYPE: C- DWG NO: AT8S-BT-XX REVISION: A1		SCALE: NONE SHEET 1 OF 1
NEXT ASSY:				

单击下面可查看定价，库存，交付和生命周期等信息

[>>Amphenol\(安费诺\)](#)