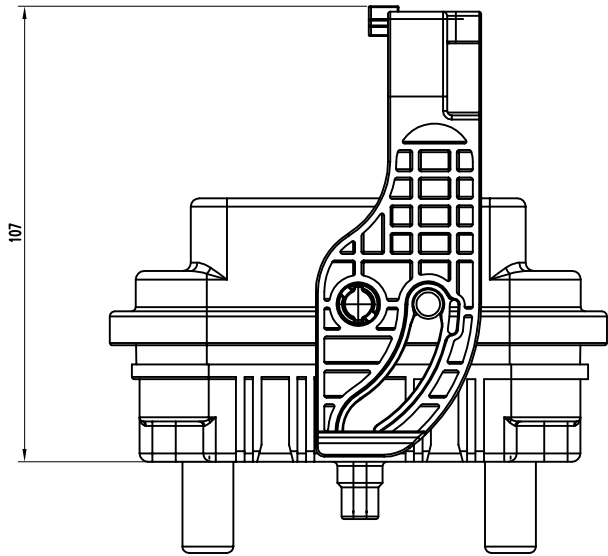
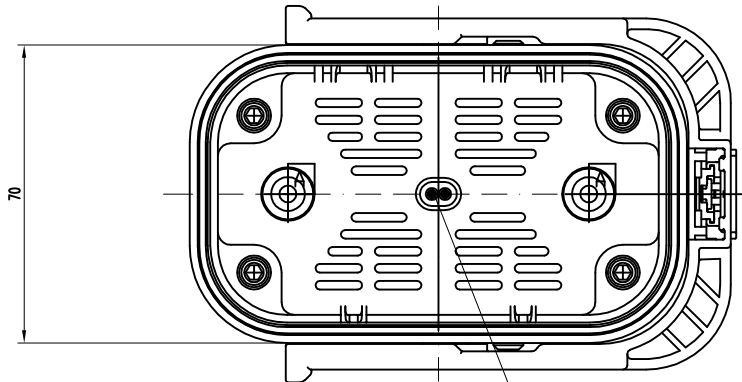
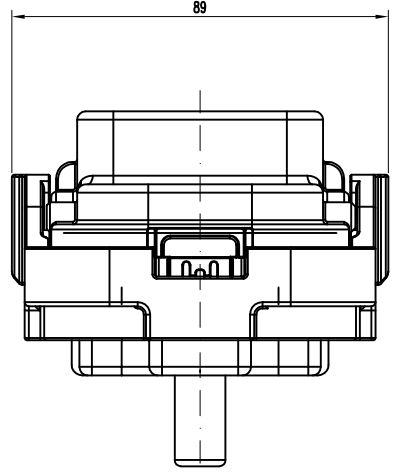
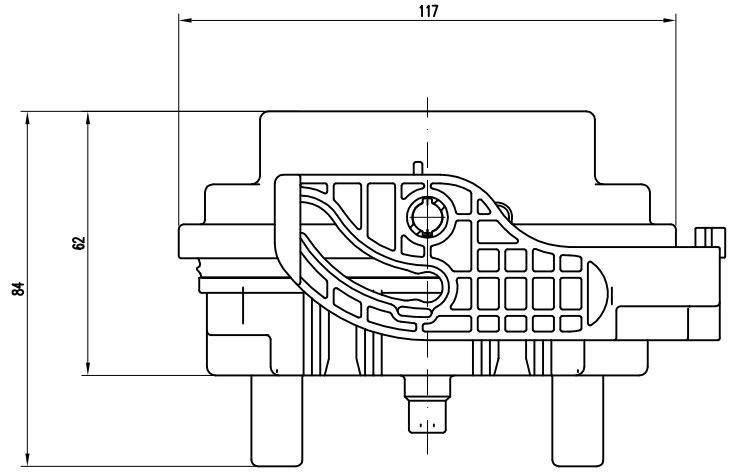


MSDMXXX

REV	ECN	DESCRIPTION	DATE	MODIFIED
A		PRE-RELEASE	2017.04.18	Gino Wu

Amphenol PCD SZ
ORIGINAL
PDF Format
18 Apr.17R&D



HVIL PIN:
P/N:C200003644

TECHNICAL SPECIFICATONS:

- SIGNAL CONNECTOR: C200003644
高压互锁信号连接器型号: C200003644
- RATED VOLTAGE/额定工作电压:
 - WITH FUSE/带保险丝: 最大1000V DC.
 - WITHOUT FUSE/不带保险丝: 最大1500V DC.
- RATED CURRENT/额定工作电流:
 - WITH FUSE/带保险丝: SELECTION BY FUSE/由保险丝规格而变动:
(160A、200A、250A、315A、350A、400A、450A、500A、550A、630A)
 - WITHOUT FUSE/不带保险丝: 300A MAX./最大300A; 400APEAK/400A峰值
- OPERATE TEMPERATURE: -40°C TO +50°C/工作环境温度-40°C ~ +50°C
- HUMIDITY: 40%~70% (23±5°C)/相对湿度40%~70% (温度为23±5°C)
- IP CODE: IP67, IP6K9K(MATED)/插合后IP等级为IP67
- MATING & UN-MATING FORCE: <100N/插拔力小于100N
- DURABILITY > 500 CYCLES/插拔次数大于500次

DIMENSIONS	TOLERANCES	PROJECTION	TITLE	
ANSI Y14.5M UNITS: MM CAD FILE	.X ±1 .XX ±0.5 ANGLES ±0.5°		Amphenol Pcd Shenzhen	
ORIGINAL NOT FOR CUSTOMER DISTRIBUTION	THIS DOCUMENT CONTAINS PROPRIETARY INFORMATION WHICH IS THE CONFIDENTIAL PROPERTY OF AMPHENOL PCD SHENZHEN		MSD XL PLUG	
			ENGR Gino Wu	2017.04.18
			CHKD	
			APPD	
			SIZE A3	DWG NO. MSDXLMXXX
			CODE:	SCALE 1:1
				SHEET 1 OF 1
				REV A

单击下面可查看定价，库存，交付和生命周期等信息

[>>Amphenol\(安费诺\)](#)