

Amphenol PCD SZ  
ORIGINAL  
PDF Format  
R&D

NOTES:

1. PRODUCT DO NOT INCLUDE CONTACT, NEED TO BUY SEPARATELY.
2. THE POWER PIN:  
2.5~4mm<sup>2</sup> CABLE P/N: EX30M4  
6 mm<sup>2</sup> CABLE P/N : EX30M6
3. THE HVIL PIN :  
0.5~0.75mm<sup>2</sup> CABLE P/N:EX16M1
4. SCOPE OF CABLE OUTSIDE DIAMETER OPTION:  
CABLE OD =11~15mm;
5. TORQUE 1:7~10N.m  $\triangle$   
TORQUE 2:10~15N.m

5. PART NUMBER DESCRIPTION:

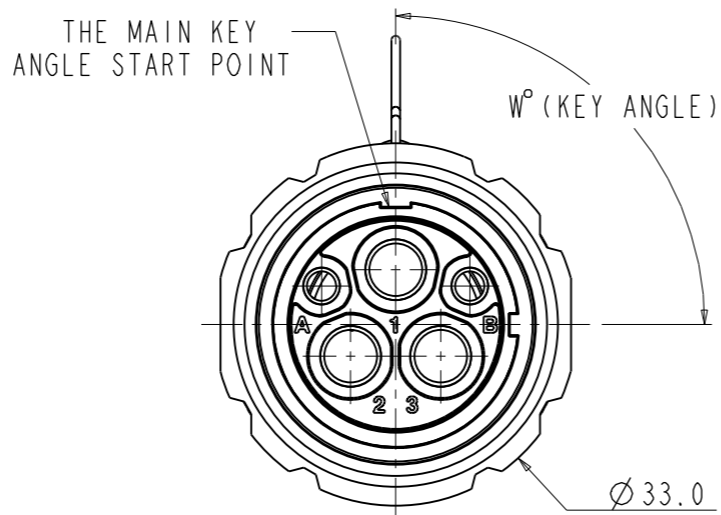
EX403 06 X M

CABLE SHIELD OPTION

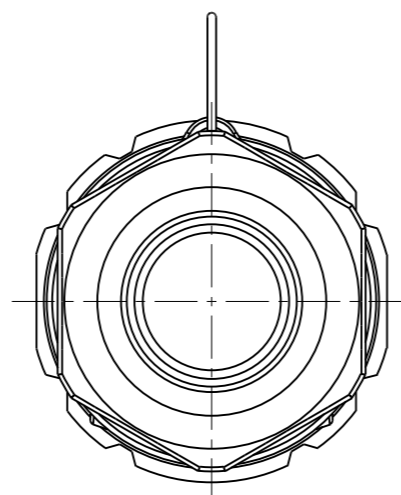
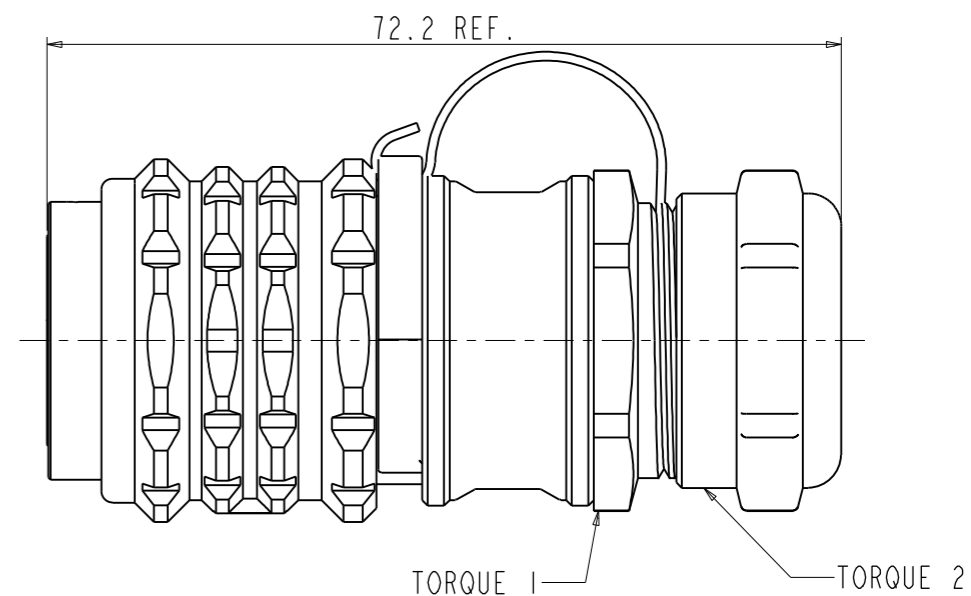
M: MULTICORE SHIELDING CABLE

KEY OF CODING OPTION

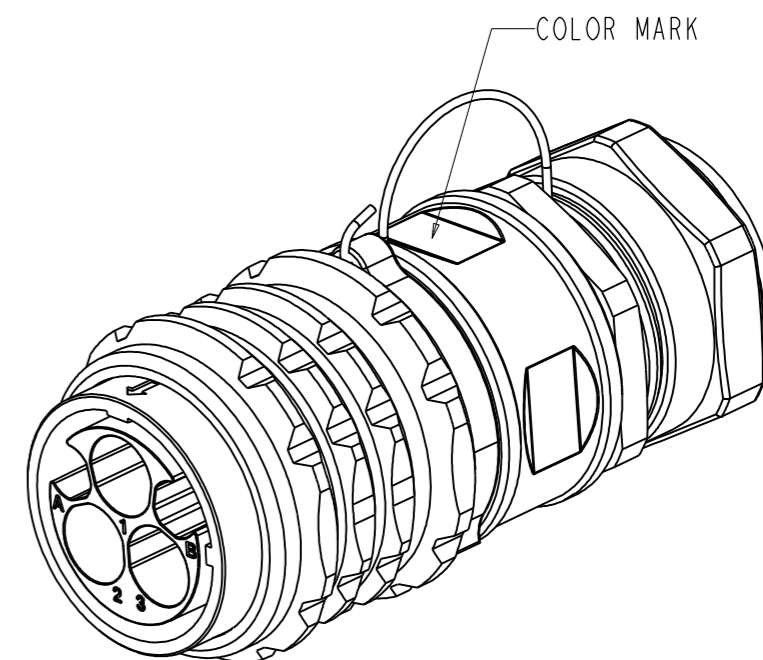
- A: KEY A & RED( $w^\circ=45^\circ$ )
- B: KEY B & BLACK( $w^\circ=90^\circ$ )
- C: KEY C & YELLOW( $w^\circ=180^\circ$ )
- D: KEY D & GREEN( $w^\circ=270^\circ$ )
- E: KEY E & BLUE( $w^\circ=315^\circ$ )



1~3 HOLES FOR  $\phi 3.0$  POWER PIN  
A, B HOLES FOR  $\phi 1.6$  HVIL PIN



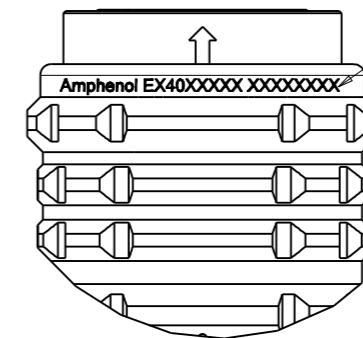
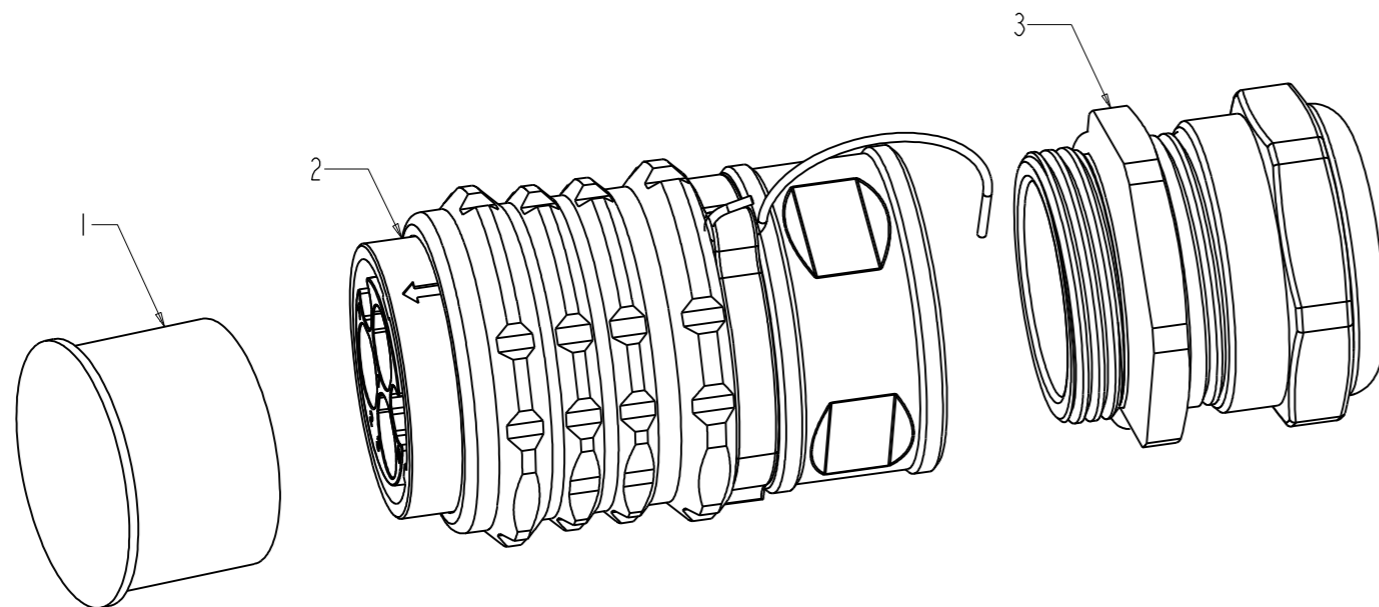
BACK VIEW



C-EX40306XM

C-EX40306XM

DIMENSIONS	TOLERANCES	PROJECTION	TITLE		
ANSI Y14.5M UNITS: MM Pro/E FILE	.X $\pm 0.5$ .XX $\pm 0.05$ ANGLES $\pm 2^\circ$		Amphenol PCD Shenzhen		
			EX403 SERIES PLUG		
ORIGINAL	THIS DOCUMENT CONTAINS PROPRIETARY INFORMATION WHICH IS THE CONFIDENTIAL PROPERTY OF Amphenol PCD Shenzhen Co. Ltd Amphenol PCD Shenzhen Co. Ltd RESERVES THE RIGHT TO CLARIFY THIS DRAWING	CHKD	SIZE	DWG NO.	REV
		APPD	A3	C-EX40306XM	4
			CODE: 58982	SCALE: 3:2	SHEET 1 OF 2



LETTER DESCRIPTION:  
LOGO+P/N+THE TRACEABILITY CODE

6. TECHNICAL DATA TABLE

TECHNICAL DATA		
CURRENT RATING (6 mm <sup>2</sup> SHIELDING CABLE)	40A @ AMBIENT 70°C	+
CURRENT RATING (4 mm <sup>2</sup> SHIELDING CABLE)	32A @ AMBIENT 70°C	+
CURRENT RATING (2.5 mm <sup>2</sup> SHIELDING CABLE)	23A @ AMBIENT 70°C	+
CURRENT RATING (0.5~0.75mm <sup>2</sup> CABLE)	5A @ AMBIENT 70°C	+
RATING VOLTAGE (OVERVOLTAGE CATEGORY II POLLUTION DEGREE 2)	1000V DC	+
OPERATING TEMPERATURE	-40~125°C	
DIELECTRIC WITHSTANDING VOLTAGE	POWER CONTACT 3000V AC(RMS)	+
	HVIL CONTACT 660V AC(RMS)	+
INSULATION RESISTANCE	200MΩ MIN.@25°C NO CABLE	+
DURABILITY	50 CYCLES	◎
SHIELDING	YES	
WATERPROOF (MATED CONDITION)	IP 68 & IPX9K	+
PROTECTION LEVEL	IP2XB	+
AMBIENT TEMPERATURE	-40~70°C	
RoHS	YES	+

7. CONNECTOR SELECTION TABLE

ASSEMBLY P/N	ITEM	P/N	DESCRIPTION	Q'TY
EX40306XM	3	P01BN00307	GLAND	1
	2	SEE TABLE 1	MAIN BODY	1
	1	C422005984	DUST CAP	1

TABLE 1	P/N	DESCRIPTION
	P02B00009305	KEY E & COLOR: BLUE
	P02B00009304	KEY D & COLOR: GREEN
	P02B00009303	KEY C & COLOR: YELLOW
	P02B00009302	KEY B & COLOR: BLACK
	P02B00009301	KEY A & COLOR: RED

8. PIN CONTACTOR SELECTION TABLE  
THE PIN NEED TO BUY SEPARATELY

P/N	DESCRIPTION	Q'TY
EX16M1	HVIL PIN FOR 0.5~0.75mm <sup>2</sup> CABLE	2
EX30M4	POWER PIN FOR 2.5mm <sup>2</sup> ~4mm <sup>2</sup> CABLE	3
EX30M6	POWER PIN FOR 6mm <sup>2</sup> CABLE	3

"+" CRITICAL CHARACTERISTICS  
"◎" IMPORTANT CHARACTERISTICS

SIZE	DWG NO.	REV
A3	C-EX40306XM	4
CODE: 58982	SCALE: 3:2	SHEET 2 OF 2

单击下面可查看定价，库存，交付和生命周期等信息

[>>Amphenol\(安费诺\)](#)