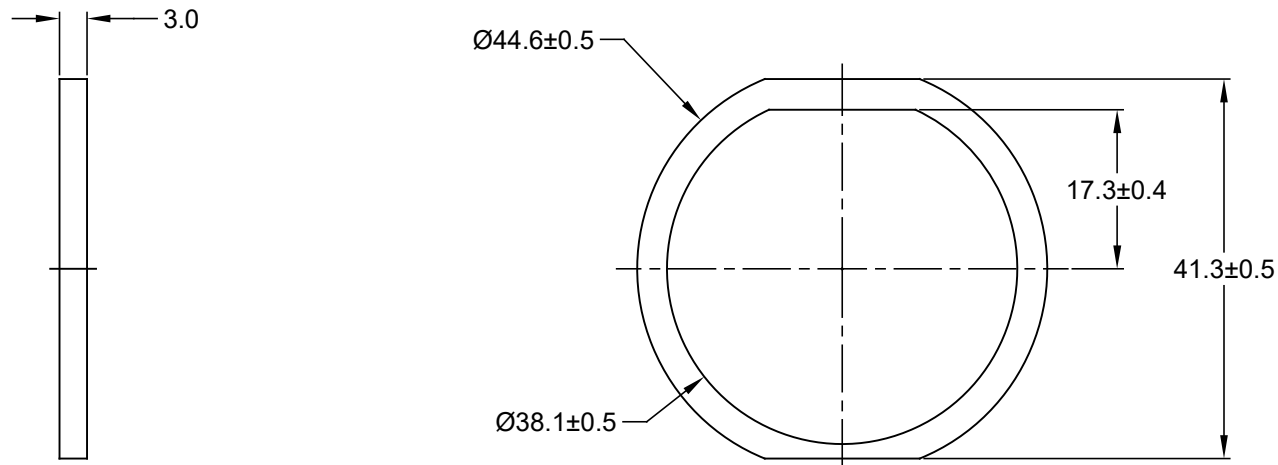


REVISIONS					
REV	ECO	DESCRIPTION	DATE	BY	APPR
01		PRELIMINARY DRAWING	01SEP16	SULLEN	TOMMY



NOTES: UNLESS OTHERWISE SPECIFIED

1. MATERIAL: CLD CELL SPONGE
2. COLORS: BLACK
3. RoHS COMPLIANT
4. USE WITH AHDP SERIES SIZE 18 RECEPTACLE
5. ALL DIMENSIONS ARE FOR REFERENCE USE ONLY.

AHDP-16-04978					
PART NUMBER		DESCRIPTION		ITEM	
QUANTITY	MATERIALS LIST				
<b>UNLESS OTHERWISE SPECIFIED</b> 1) All dimensions are in metric(mm). 2) Tolerances are as follows: 1 PL DEC ±0.30 2 PL DEC ±0.15 3 PL DEC ±0.08 Fractions ±1/64 Angles ±1° 3) Note reference =	SIGNATURES		DATE		
	DRAWN: SULLEN.ZHANG		11ARP17		
CHECKED: ORION.LI		11ARP17		<h1>Amphenol</h1> Sine Systems - www.amphenol-sine.com 44724 Morley Drive Clinton Township, MI 48036	
ENGINEER:					
APPROVAL: TOMMY.XIE		11ARP17			
MATERIAL SPECIFICATIONS:		CUSTOMER:		GASKET,RECEPTACLE,SIZE 18	
PROCESS SPECIFICATIONS:		THIS DRAWING IS SUPPLIED FOR INFORMATION ONLY. DESIGN FEATURES, SPECIFICATIONS AND PERFORMANCE DATA SHOWN HEREON ARE THE PROPERTY OF THE AMPHENOL CORPORATION. NO RIGHTS OF REPRODUCTION ARE IMPLIED. ALL DIMENSIONS ARE SUBJECT TO NORMAL MANUFACTURING VARIATIONS.			
NEXT ASSY:		SIZE	TYPE	DWG NO:	REVISION
		A	C-	AHDP-16-04978	01
		SCALE: NONE		SHEET 1 OF 1	

单击下面可查看定价，库存，交付和生命周期等信息

[>>Amphenol\(安费诺\)](#)