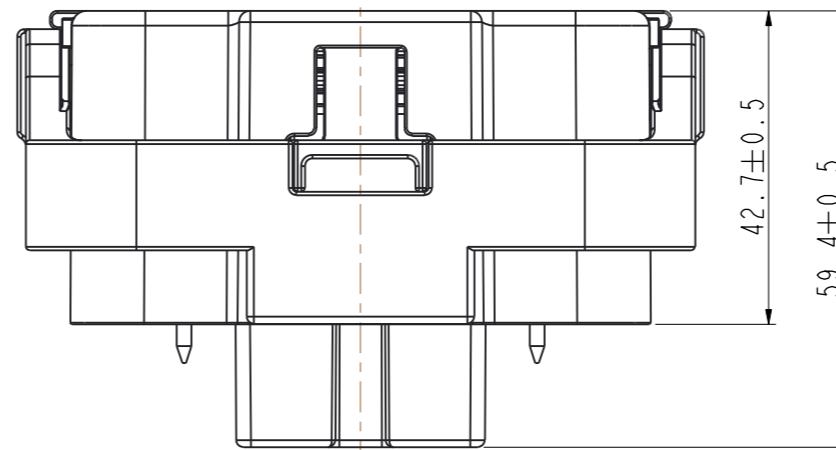
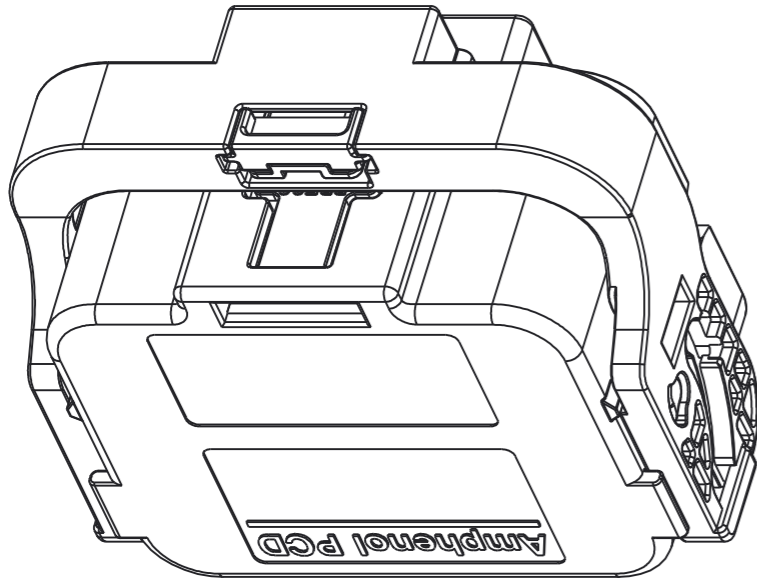
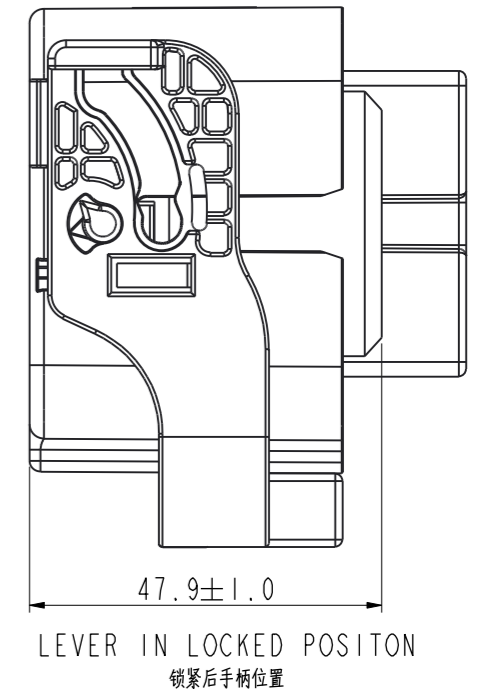
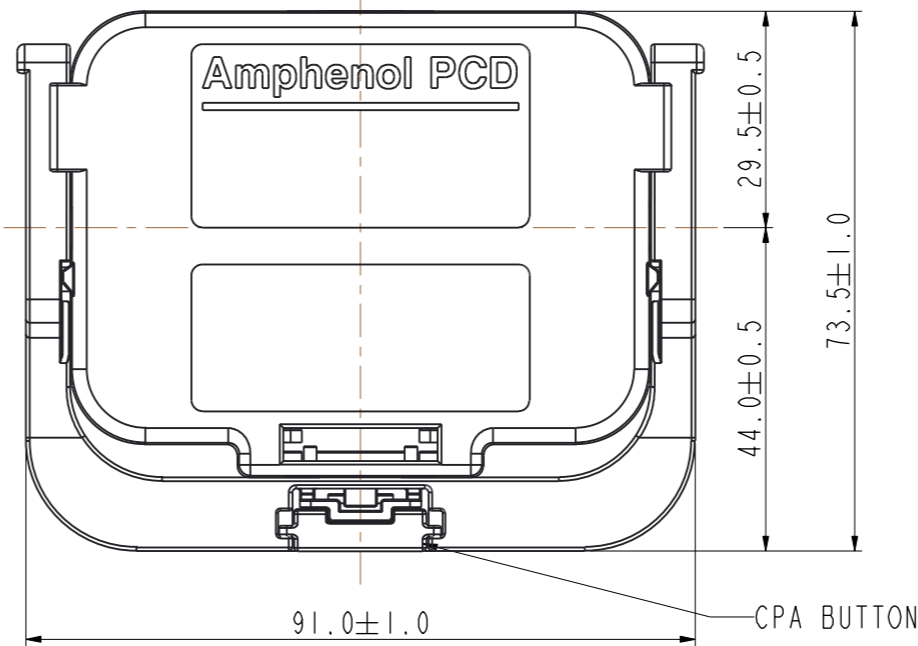
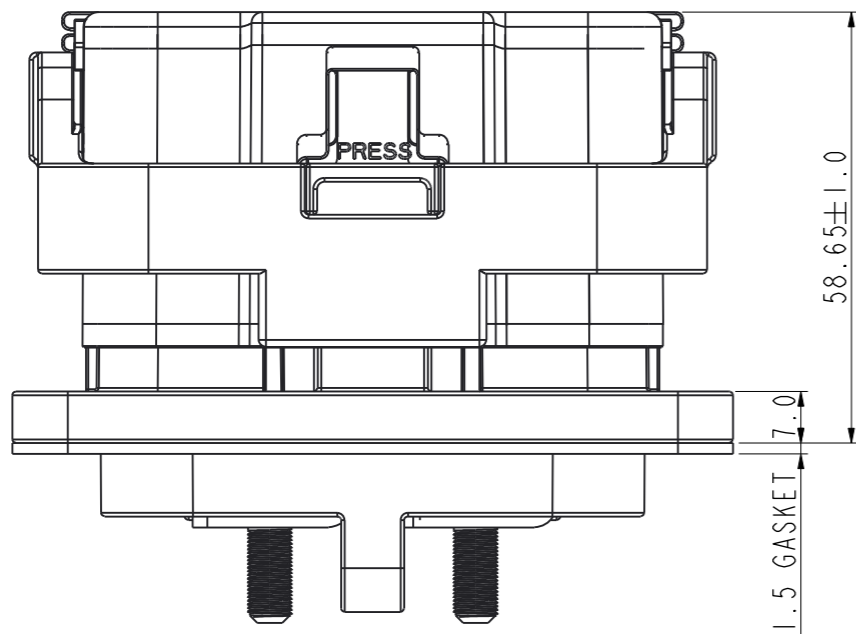
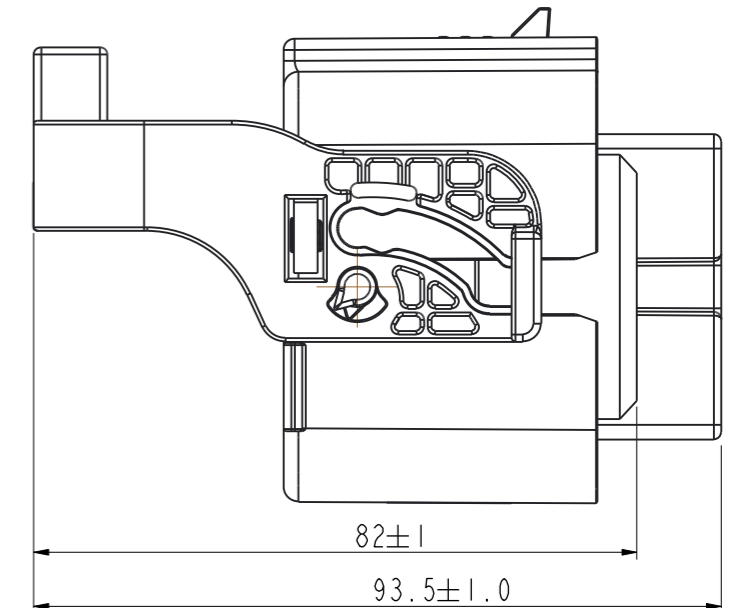


MINIMSD

REV	ECN	DESCRIPTION	DATE	MODIFIED
A		FIRST-RELEASE	2015.05.23	JACK.D
B		ADD MORE SELECTABLE FUSE	2017.12.01	T.H



MINI-MSD PLUG

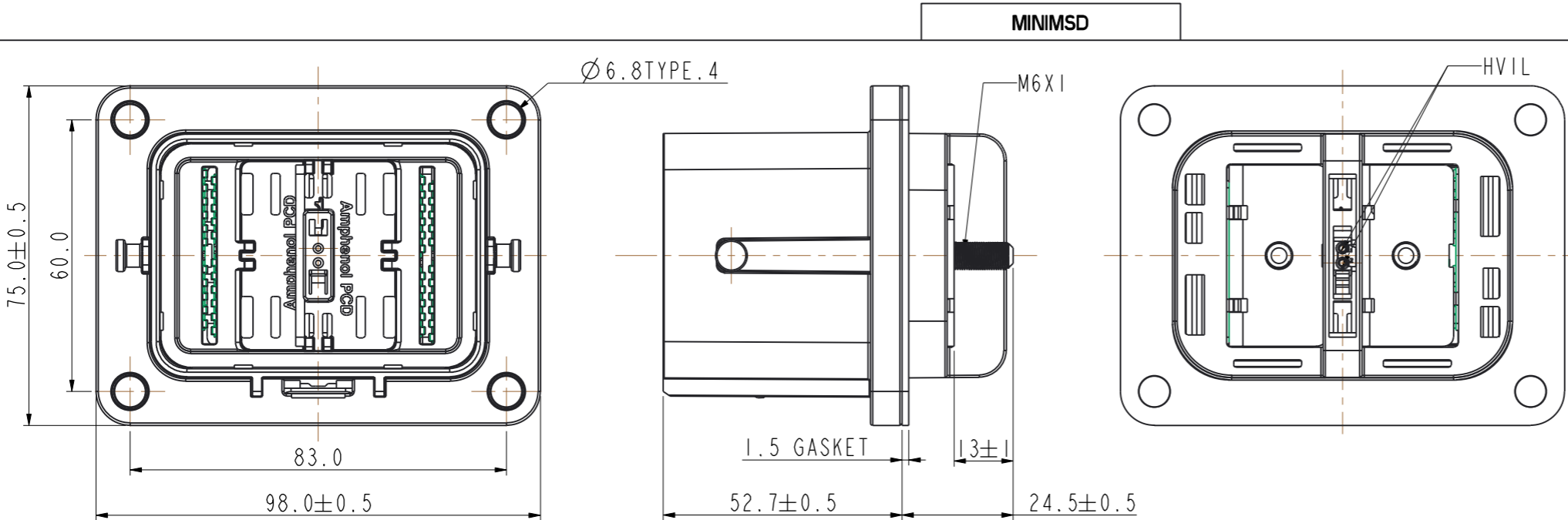


- BUSSMANN PART TYPE (巴斯曼熔断器型号) :
- |                                |                              |
|--------------------------------|------------------------------|
| 1. MINI-MSDM000 (WITHOUT FUSE) | 2. MINI-MSDM080 (FUSE=80A)   |
| 3. MINI-MSDM100 (FUSE=100A)    | 4. MINI-MSDM125 (FUSE=125A)  |
| 5. MINI-MSDM160 (FUSE=160A)    | 6. MINI-MSDM200 (FUSE=200A)  |
| 7. MINI-MSDM250 (FUSE=250A)    | 8. MINI-MSDM315 (FUSE=315A)  |
| 9. MINI-MSDM350 (FUSE=350A)    | 10. MINI-MSDM400 (FUSE=400A) |

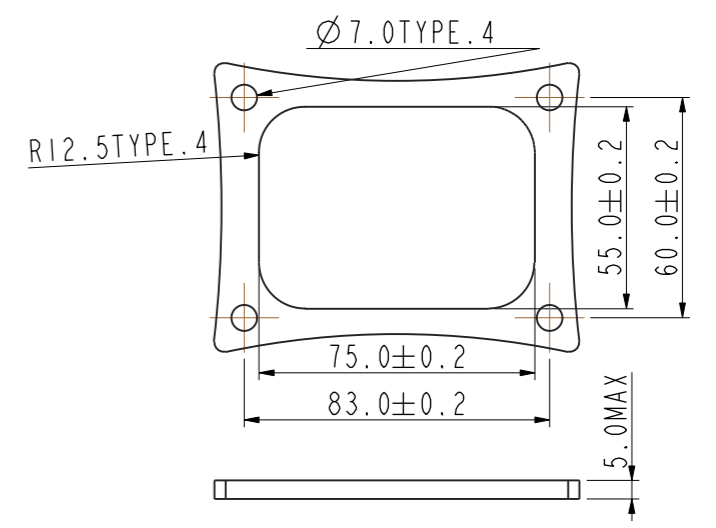
- ZHONGRONG PART TYPE (中熔熔断器型号) : B
- |                              |                              |
|------------------------------|------------------------------|
| 1. MINI-MSDM080I (FUSE=80A)  | 2. MINI-MSDM100I (FUSE=100A) |
| 3. MINI-MSDM125I (FUSE=125A) | 4. MINI-MSDM160I (FUSE=160A) |
| 5. MINI-MSDM200I (FUSE=200A) | 6. MINI-MSDM250I (FUSE=250A) |
| 7. MINI-MSDM315I (FUSE=315A) | 8. MINI-MSDM350I (FUSE=350A) |
| 9. MINI-MSDM400I (FUSE=400A) |                              |

FUSE 熔断器规格	80A	100A	125A	160A	200A	250A	315A	350A	400A	SHUNT
MARKING 对应插座印字	80A	100A	125A	160A	200A	250A	315A	350A	400A	SHUNT

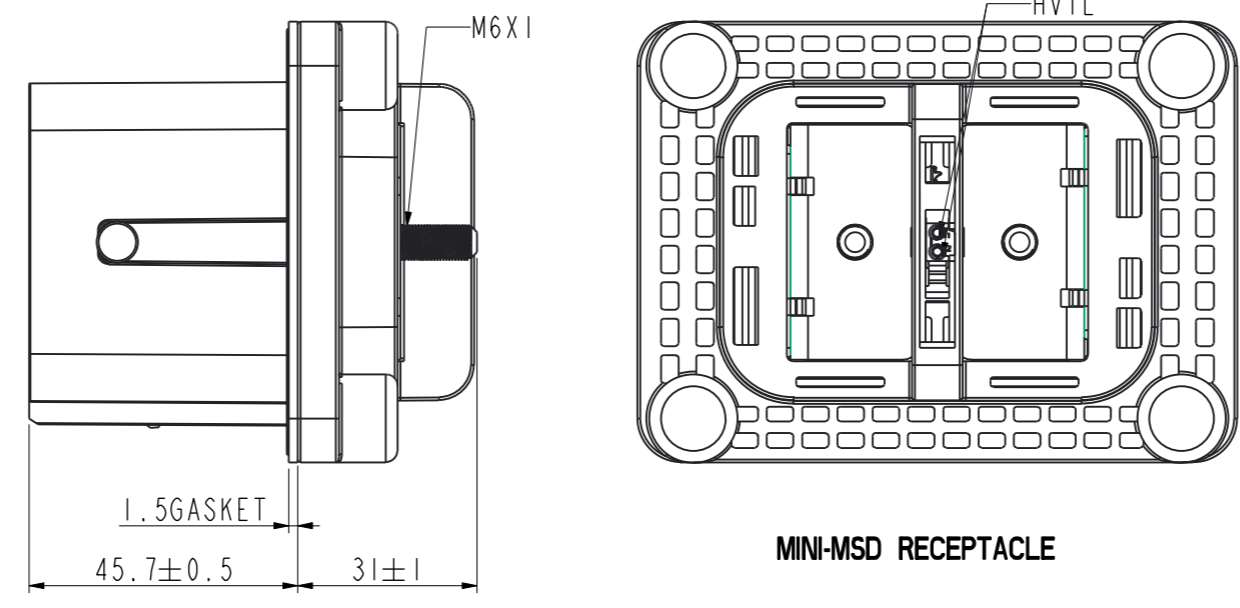
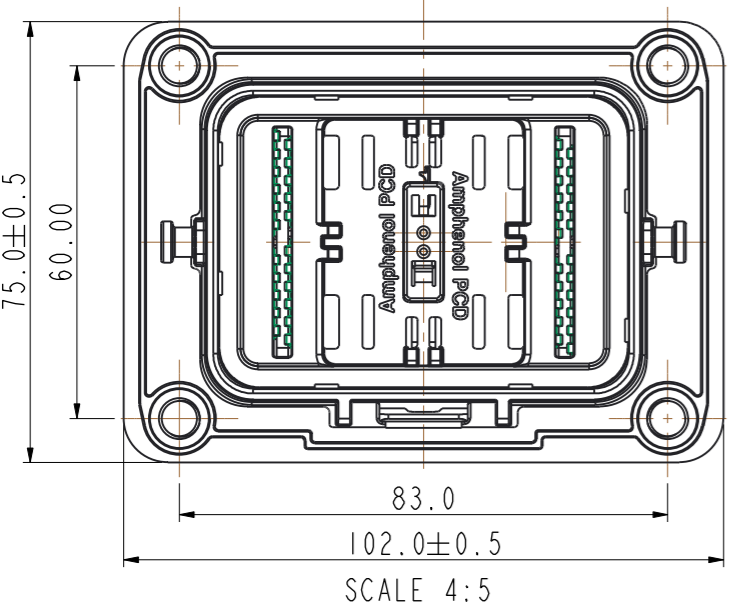
DIMENSIONS	TOLERANCES	PROJECTION	Amphenol Pcd Shenzhen		TITLE			
ANSI Y14.5M UNITS: MM Pro/E FILE	.X ±0.5 .XX ±0.30 ANGLES ±1.0°		JACK.D	Apr-15-15	<b>MINI-MSD SPEC</b> <b>MINI-MSDM-XXXX</b>			
ORIGINAL	<small>THIS DOCUMENT CONTAINS            PROPRIETARY INFORMATION WHICH            IS THE CONFIDENTIAL PROPERTY            OF AMPHENOL PCD SHENZHEN</small>		CHKD	APPD				
					CODE: 58982	SCALE:	SHEET 1 OF 2	



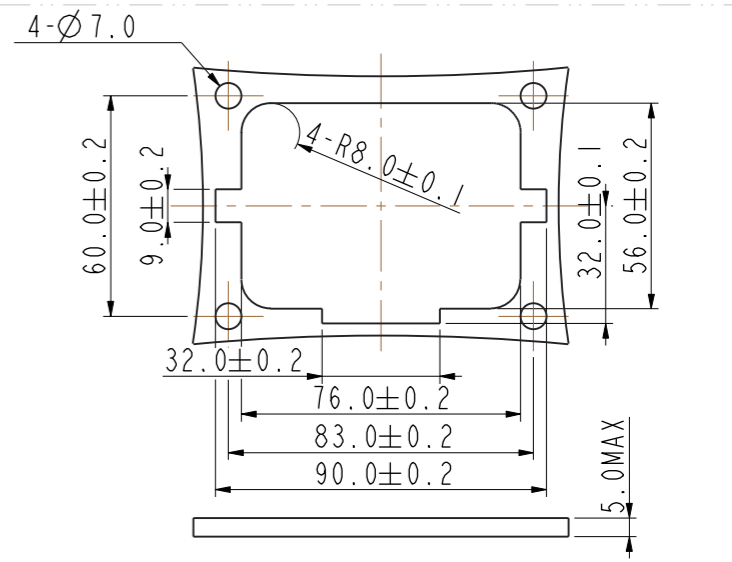
REV	ECN	DESCRIPTION	DATE	MODIFIED
-----	-----	-------------	------	----------



FRONT MOUNTING INTERFACE SPECIFICATION



MINI-MSD RECEPTACLE



REAR MOUNTING INTERFACE SPECIFICATION

- NOTES:
1. THREADED STUD TORQUE LIMITS (M6): 5.3Nm±0.5Nm 接线端子锁紧力矩(M6) 5.3Nm±0.5Nm
  2. HVIL CONNECTOR: MSD-HVIL-2S  
HVIL信号连接器型号: MSD-HVIL-2S
  3. MOUNTING SURFACE THICKNESS: MAX 5mm 法兰安装板厚度 最大5mm
  4. INNER HOUSING MAY BE ASSEMBLED ROTATED 180° FROM AS SHOW  
内部插芯有可能与图纸中的方向相差180°
  5. 额定工作电压: 1)带保险丝: 最大690V AC(巴斯曼熔断器); 最大750V DC(中熔熔断器); 2)不带保险丝 最大1500VDC  
Rated Voltage: 1)MOUNTING FUSE: 690V AC(BUSSMANN FUSE); 750V DC(ZHONGRONG FUSE).  
2)SHUNT, 1500V DC
  6. 额定工作电流: 1)带保险丝 由保险丝规格而变动 2)不带保险丝 最大170A  
Rated Current: 1)BASED ON FUSE SELECTION  
2)MAX170A(SHUNT, NO FUSE)
  7. 工作环境温度: -40°C ~ +70°C  
Ambient Temperature: -40°C ~ +70°C
  8. 相对湿度40%~70% (温度为23±5°C)  
Humidity: 40%~70% (AT 23±5°C)
  9. IP CODE: IP67 IP6K9K(MATED)

PART TYLE :  
1. MINI-MSDF000F (FRONT MOUNTING)  
2. MINI-MSDF000R (REAR MOUNTING)

DIMENSIONS	TOLERANCES	PROJECTION	TITLE		
ANSI Y14.5M	.X ±0.5		Amphenol Pcd Shenzhen		
UNITS: MM	.XX ±0.30		ENGR	JACK.D	Apr-16-15
Pro/E FILE	ANGLES ±1.0°	CHKD	MINI-MSDF-XXXX		
ORIGINAL	THIS DOCUMENT CONTAINS PROPRIETARY INFORMATION WHICH IS THE CONFIDENTIAL PROPERTY OF AMPHENOL PCD SHENZHEN	APPD	SIZE	DWG NO.	REV
		A3	MINIMSD		B
			CODE: 58982	SCALE:	SHEET 2 OF 2

单击下面可查看定价，库存，交付和生命周期等信息

[>>Amphenol\(安费诺\)](#)