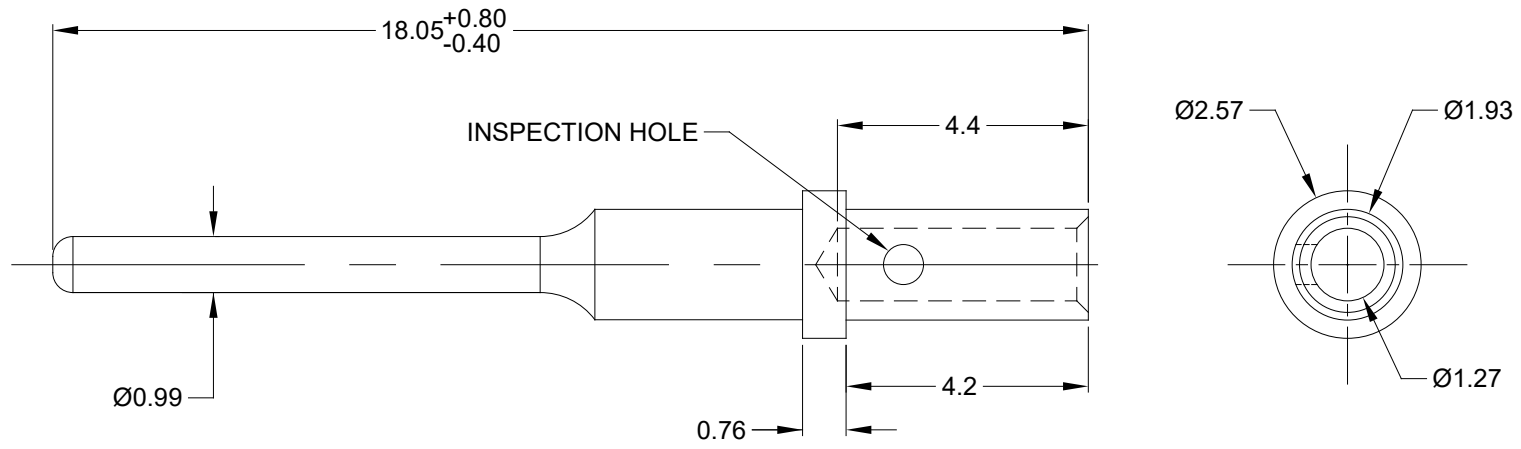


REVISIONS					
REV	ECO	DESCRIPTION	DATE	BY	APPR
A7	-	REVISED LENGTH LIMITS	10MAY2019	JAH	-



NOTES: UNLESS OTHERWISE SPECIFIED

- 1. MATERIAL: COPPER ALLOY
- 2. PLATING: SEE PART NUMBER CHART
- 3. CONTACT SIZE: 20
- 4. SPECIFICATIONS:
  - 4.1 CURRENT RATING: 7.5 AMPS
  - 4.2 CONTACT MILLIVOLT DROP: 60 MILLIVOLT DROP @ 7.5 AMP TEST CURRENT.
  - 4.3 RoHS COMPLIANT
- 5. RECOMMENDED WIRE RANGE: 20 AWG
- 6. AVAILABLE HAND CRIMPER: CA-5D12
- 7. ALL DIMENSIONS ARE FOR REFERENCE USE ONLY

PART NUMBER CHART	
PLATING	PART NUMBER
GOLD	AT60-202-2031
NICKEL	AT60-202-20141

SEE PART NUMBER CHART		DESCRIPTION		ITEM
PART NUMBER		DESCRIPTION		ITEM
<b>MATERIALS LIST</b>				
UNLESS OTHERWISE SPECIFIED 1) All dimensions are in metric(mm). 2) Tolerances are as follows: 1 PL DEC ±0.30    Fractions ±1/64 2 PL DEC ±0.15    Angles ±1° 3 PL DEC ±0.08		SIGNATURES		DATE
MATERIAL SPECIFICATIONS:		DRAWN: BROOK		08/JAN/19
PROCESS SPECIFICATIONS:		CHECKED: ORION		08/JAN/19
NEXT ASSY:		APPROVAL: TOMMY		08/JAN/19
		CUSTOMER:		
		THIS DRAWING IS SUPPLIED FOR INFORMATION ONLY. DESIGN FEATURES, SPECIFICATIONS AND PERFORMANCE DATA SHOWN HEREON ARE THE PROPERTY OF THE AMPHENOL CORPORATION. NO RIGHTS OF REPRODUCTION ARE IMPLIED. ALL DIMENSIONS ARE SUBJECT TO NORMAL MANUFACTURING VARIATIONS.		
		<b>Amphenol</b>		
		Sine Systems - www.amphenol-sine.com 44724 Morley Drive Clinton Township, MI 48036		
		CONTACT, PIN, SOLID, SIZE 20, 20 AWG, ATM SERIES		
SIZE	TYPE	DWG NO:	REVISION	
A	C-	AT60-202-20XXX	A7	
SCALE: NONE		SHEET 1 OF 1		

单击下面可查看定价，库存，交付和生命周期等信息

[>>Amphenol\(安费诺\)](#)