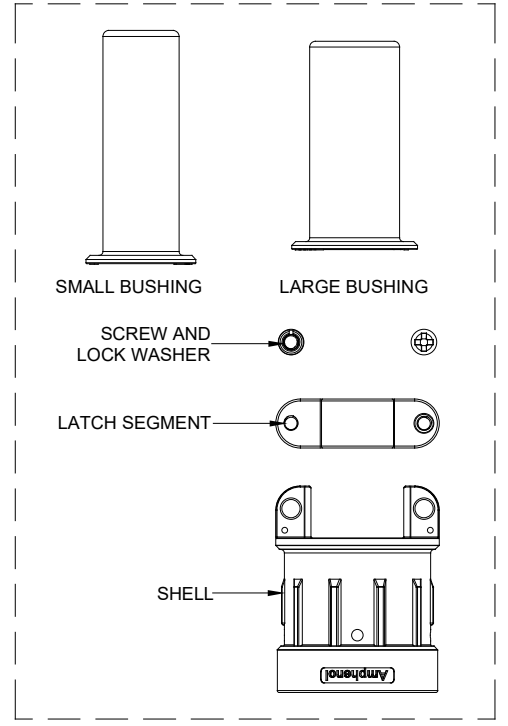
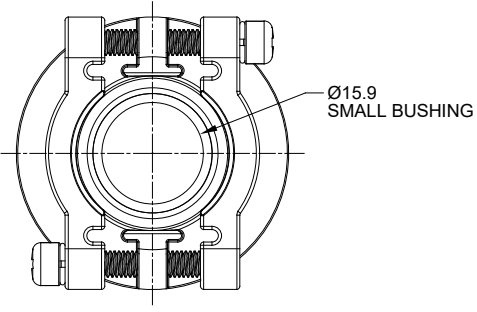
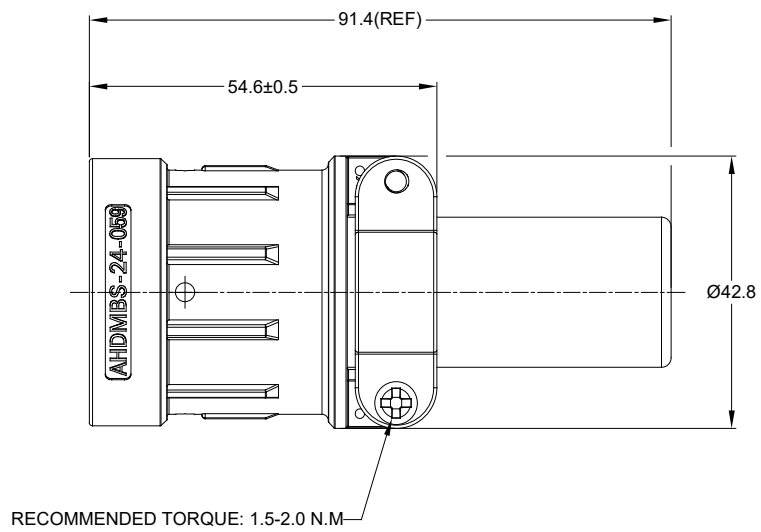


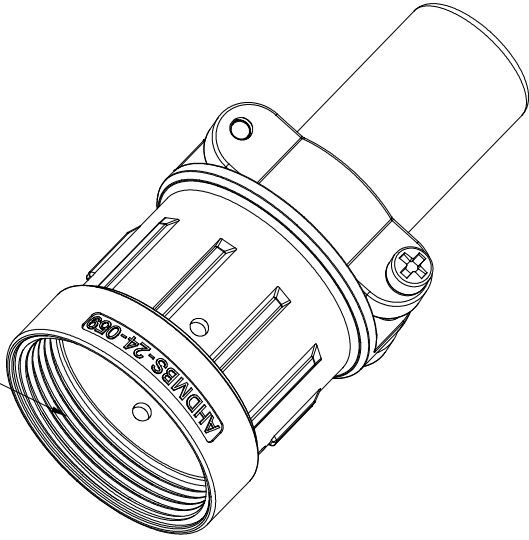
| REVISIONS |     |                       |           |        |       |
|-----------|-----|-----------------------|-----------|--------|-------|
| REV       | ECO | DESCRIPTION           | DATE      | BY     | APPR  |
| A1        | --  | RELEASE NEW PRODUCT   | 30/AUG/19 | ROOKIE | TOMMY |
| A2        | --  | REVISED BUSHING NOTES | 20MAR2020 | J.HEAD | DH    |



NOTES: UNLESS OTHERWISE SPECIFIED

- MATERIAL:  
SHELL: ALUMINIUM ALLOY, NICKEL PLATED;  
LATCH SEGMENT: ALUMINIUM ALLOY, NICKEL PLATED;  
SCREW AND LOCK WASHER: STAINLESS STEEL;  
BUSHING: EPDM
- USE WITH AHDM SERIES SIZE 24 MODIFICATION .
- APPLY TO CABLE OD SIZE: Ø11.20-Ø24.08 . CAN BE USED:
  - WITH LARGE AND SMALL BUSHINGS IN PLACE.
  - WITH ONLY LARGE BUSHING IN PLACE.
  - WITH BOTH BUSHINGS REMOVED.
- RoHS COMPLIANT.
- ALL DIMENSIONS ARE FOR REFERENCE USE ONLY.

M38X1.5 6H THREAD



|   |  |  |  |  |
|---|--|--|--|--|
| AHDMS-24-059  |  | DESCRIPTION  |  | ITEM   |
| PART NUMBER   |  | DESCRIPTION  |  | ITEM   |
| <b>QUANTITY MATERIALS LIST</b>  |  |  |  |  |
| UNLESS OTHERWISE SPECIFIED<br>1) All dimensions are in metric (mm).<br>2) Tolerances are as follows:<br>1 PL DEC ±0.30<br>2 PL DEC ±0.15<br>3 PL DEC ±0.08<br>3) Note reference = |  | SIGNATURES DATE<br>DRAWN: ROOKIE 30/AUG/19<br>CHECKED: ORION 30/AUG/19<br>ENGINEER:<br>APPROVAL: TOMMY 30/AUG/19   |  | <br>Sine Systems - www.amphenol-sine.com<br>44724 Morley Drive<br>Clinton Township, MI 48036 |
| MATERIAL SPECIFICATIONS:  |  | CUSTOMER:  |  |  |
| PROCESS SPECIFICATIONS:   |  | THIS DRAWING IS SUPPLIED FOR INFORMATION ONLY. DESIGN FEATURES, SPECIFICATIONS AND PERFORMANCE DATA SHOWN HEREON ARE THE PROPERTY OF THE AMPHENOL CORPORATION. NO RIGHTS OF REPRODUCTION ARE IMPLIED. ALL DIMENSIONS ARE SUBJECT TO NORMAL MANUFACTURING VARIATIONS. |  | SCALE: <b>B C-</b><br>SHEET 1 OF 1   |
| NEXT ASSY:  |  | AHDMS-24-059   |  | REVISION <b>A2</b>   |

TITLE: BACKSHELL CABLE CLAMP, 24 SZ, AHDM  
DWG NO: AHDMS-24-059  
REV: A2  
SH: 1  
OF: 1

单击下面可查看定价，库存，交付和生命周期等信息

[>>Amphenol\(安费诺\)](#)