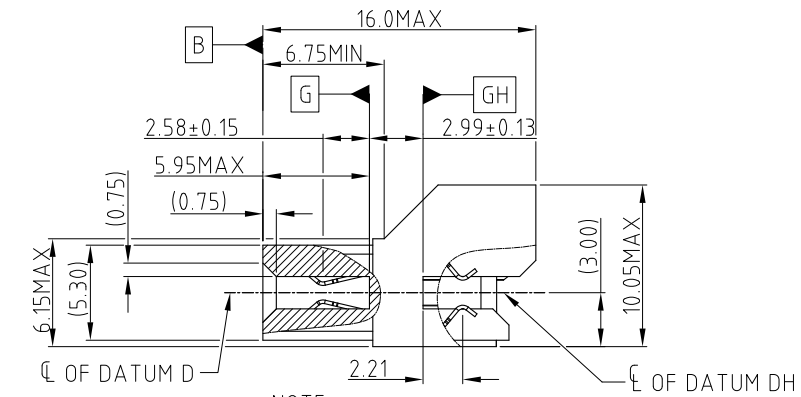
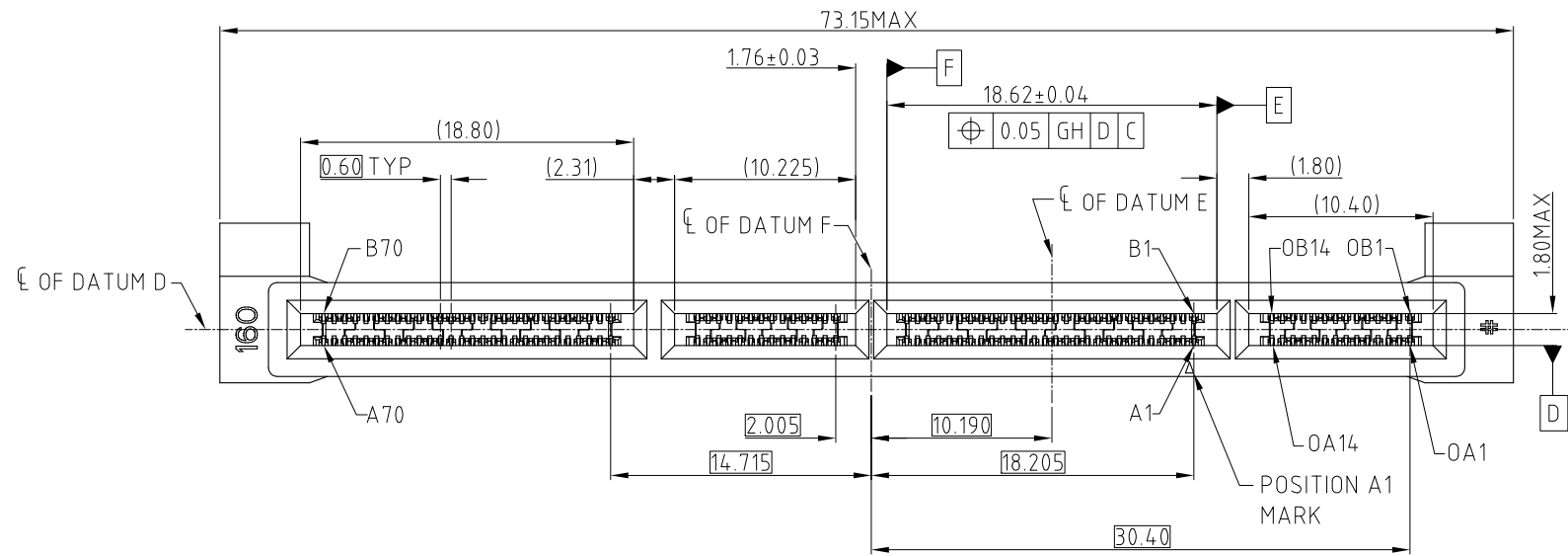


This document is the property of Amphenol Corporation and is delivered on the express condition that it is not to be disclosed, reproduced or used, in whole or in part, for manufacture or sale by anyone other than Amphenol Corporation without its prior consent, & that no right is granted to disclose or to use any information in this document.

CUSTOMER DRAWING

REVISIONS

SYM	ECN	DESCRIPTION	DATE	APPROVED
1	CDXXXX	PRELIMINARY PROPOSAL	May.11,2018	YH
2	CDXXXX	CHANGE THE PN	May.30,2018	YH
3	CDXXXX	REVISE THE PCB THICKNESS TOLERANCE	Aug.16,2018	YH
4	CD1495	UPDATED BY SFF TA 1002 REV 1.1.3	Nov.08,2018	YH
5	CD1817	CHANGE NUT FROM STANDARD TO RECTANGLE AND ADD PACKING	Jul.18,2019	YH
6	CD1856	STANDARDIZE THE WAFER CONSTRUCTURE	Sep.24,2019	YH

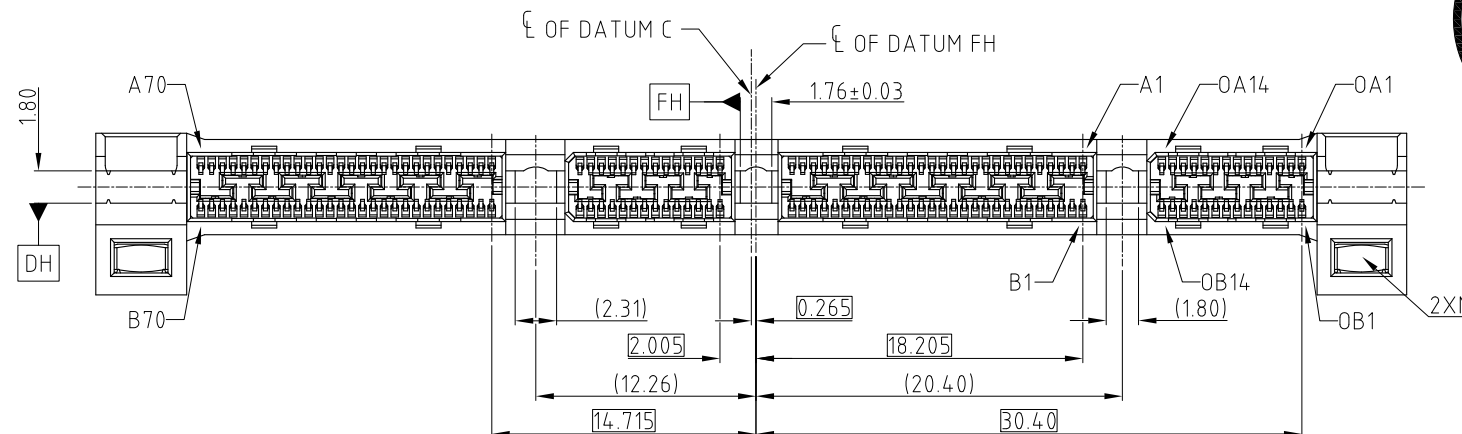
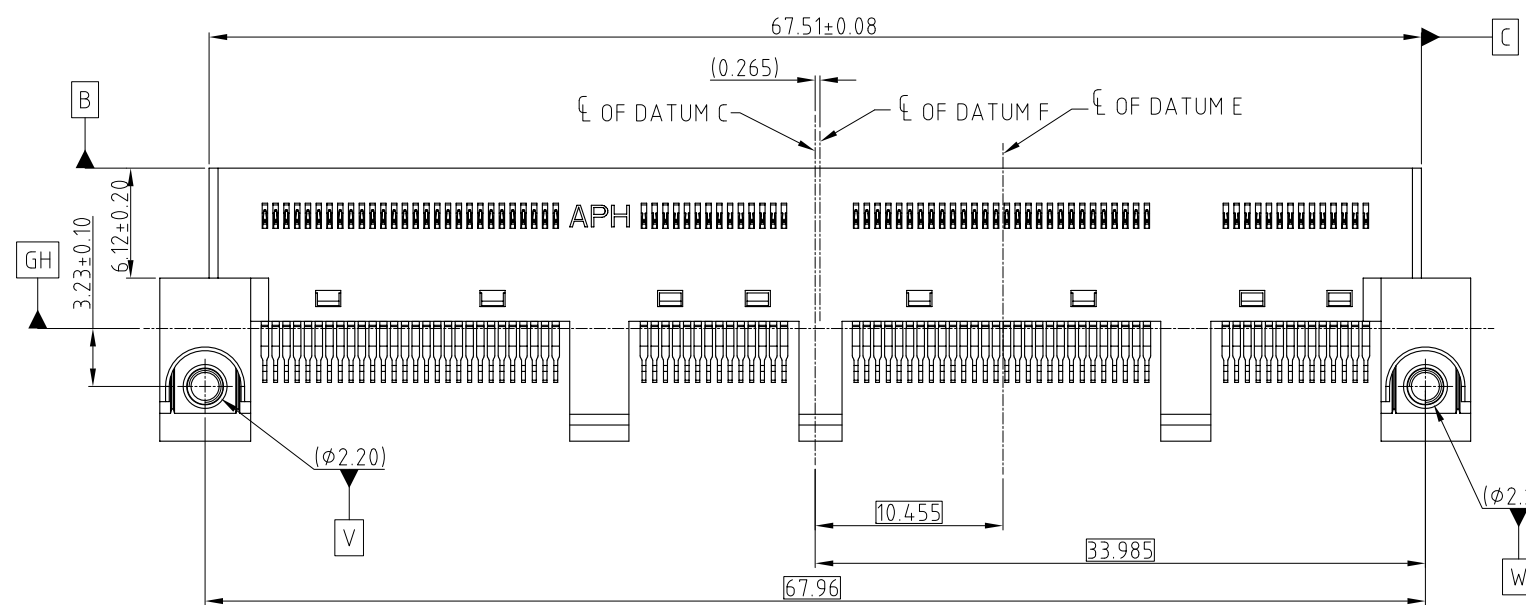


NOTE:

- MATERIAL:**
HOUSING: HIGH TEMPERATURE THERMOPLASTIC BLACK UL94-V0
CONTACT: COPPER ALLOY
NUT: STAINLESS STEEL
- PLATING:**
CONTACT: MATING AREA: Au THICKNESS PLEASE REFER TO PN SYSTEM, 1.27-2.54 μm NICKEL UNDERPLATED
SOLDER AREA: 1.27 μm MIN TIN OVER 1.27-2.54 μm NICKEL UNDERPLATED
- ELECTRICAL PERFORMANCE:**
RATED CURRENT: 1.1A/PIN UP TO 12PINS
LLCR: 30mΩ MAX, DELTA 15 mΩ
INSULATION RESISTANCE: 1000MΩ MIN
- DURABILITY:** 200 CYCLES.
- MATERIAL SHOULD BE FULFILLED AMPHENOL SPEC#S-SN-002 AND S-SN-004**
- ORDERING PART NUMBER REFER TO BELOW PART NUMBER LIST TABLE**

PART NUMBER	PLATING	PACKAGE QUANTITY	SCREW
ME1016813402104	G/F+PdNi	15/TRAY	WITH SCREW
ME1016813402103	GOLD FLASH	300/CARTON	WITH SCREW
ME1016813402102	0.38um Au		
ME1016813402101	0.76um Au		
ME1016813401104	G/F+PdNi	15/TRAY	WITHOUT SCREW
ME1016813401103	GOLD FLASH	300/CARTON	WITHOUT SCREW
ME1016813401102	0.38um Au		
ME1016813401101	0.76um Au		
ME1016843402104	G/F+PdNi	24/TRAY	WITH SCREW
ME1016843402103	GOLD FLASH	624/CARTON	WITH SCREW
ME1016843402102	0.38um Au		
ME1016843402101	0.76um Au		
ME1016843401104	G/F+PdNi	24/TRAY	WITHOUT SCREW
ME1016843401103	GOLD FLASH	624/CARTON	WITHOUT SCREW
ME1016843401102	0.38um Au		
ME1016843401101	0.76um Au		

PART NUMBER LIST TABLE



UNLESS OTHERWISE SPECIFIED TOLERANCES	
U.S.	METRIC
.X +/-	0.25
.XX +/-	0.20
.XXX +/-	0.15
FRACTIONS +/-	
ANGLES +/-	5°

APPROVAL		DATE
DRAWN	Teng.Cao	Sep.24,2019
CHECKED	Ly.Yi	Sep.24,2019
APPROVED		
DRAWING FILE :		
INTERNAL\ME\C ME10168X340X10X		
ANGLE OF PROJECTION		

Amphenol

TITLE
MINI COOL EDGE CONNECTOR
168P S/M MATE 1.57 HOST PCB

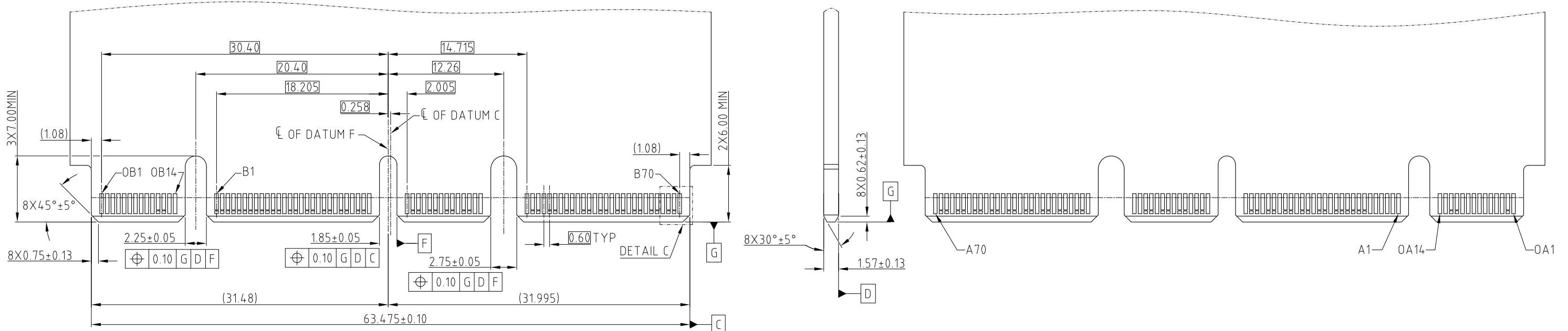
SIZE	DRAWING NO.	REV.
A3	C ME10168X340X10X	6

SCALE NONE SHEET 1 OF 5

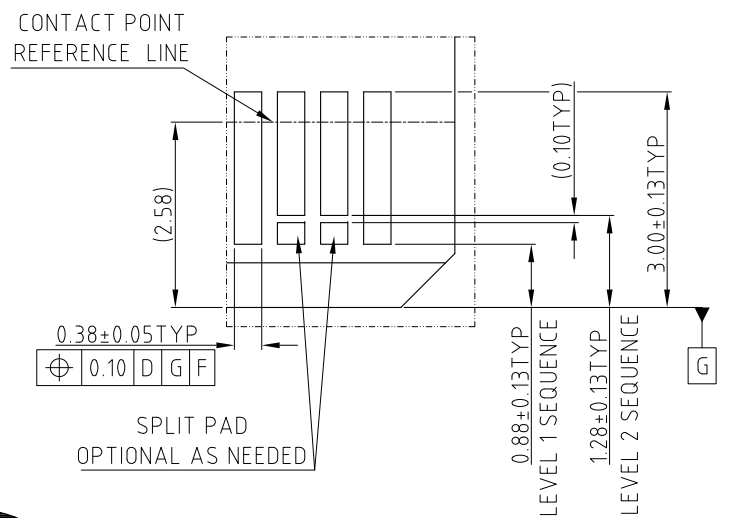
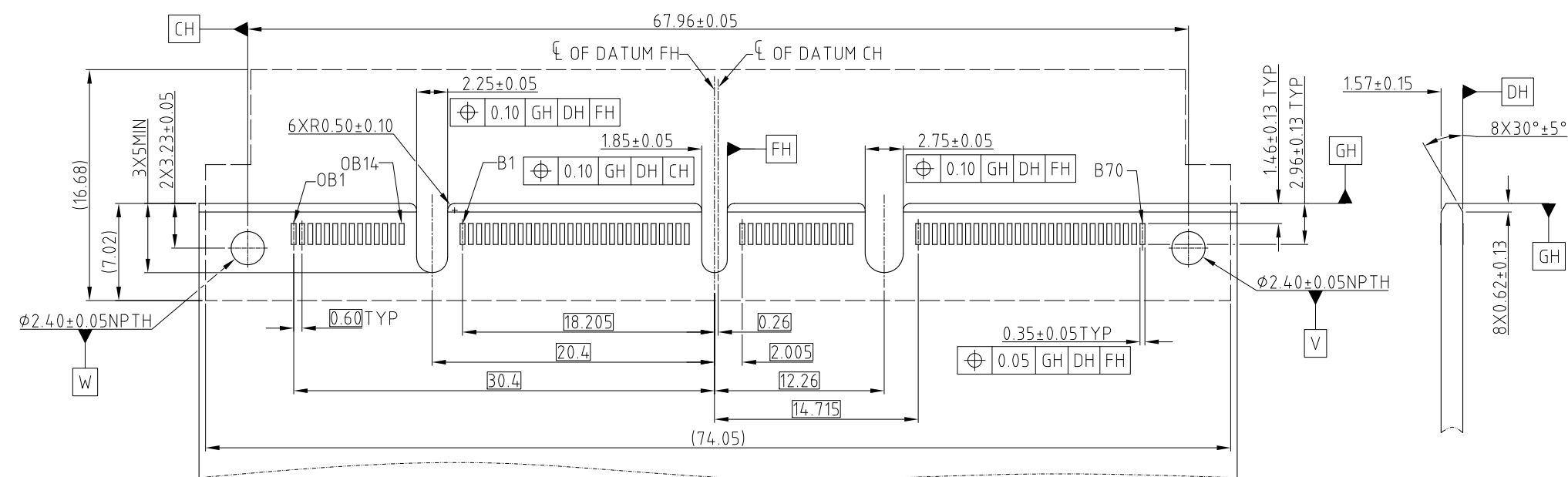
This document is the property of Amphenol Corporation and is delivered on the express condition that it is not to be disclosed, reproduced or used, in whole or in part, for manufacture or sale by anyone other than Amphenol Corporation without its prior consent, & that no right is granted to disclose or to use any information in this document.

CUSTOMER DRAWING

REVISIONS				
SYM	ECN	DESCRIPTION	DATE	APPROVED
		SEE SHEET 1		



RECOMMENDED AIC MATING CARD



DETAIL C SCALE 4:1



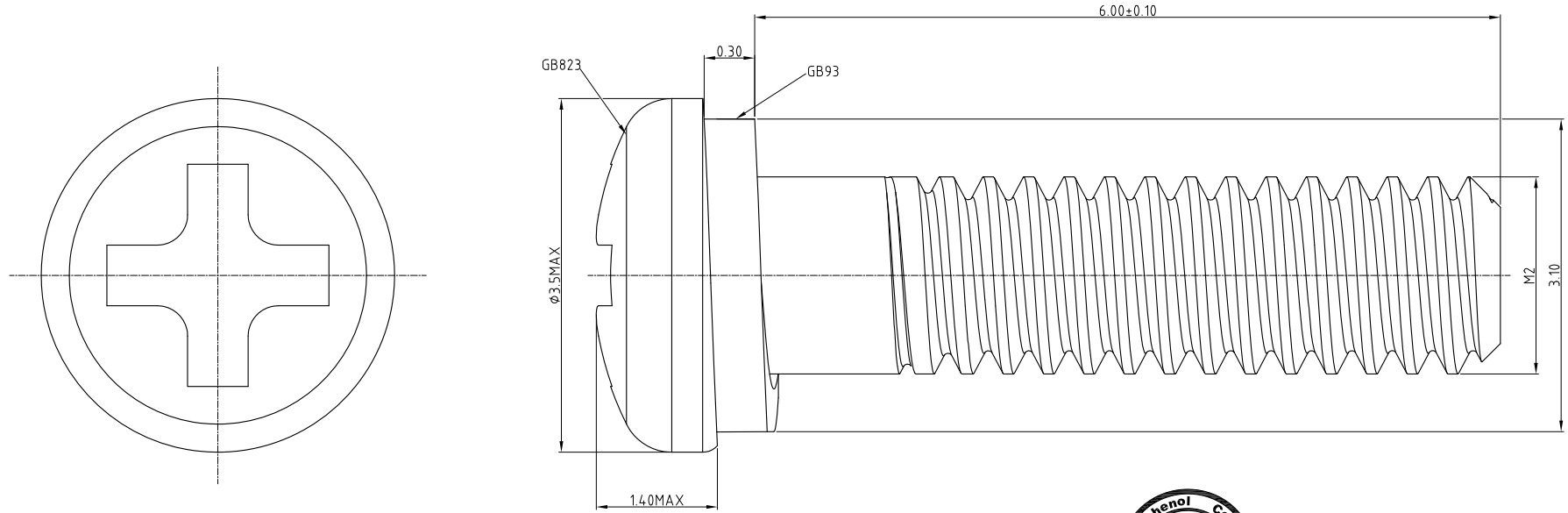
NOTE: POSITION A1 ON THE OPPOSITE SIDE OF CARD OF B1 RECOMMENDED FOOTPRINT

UNLESS OTHERWISE SPECIFIED TOLERANCES		APPROVAL	DATE	Amphenol	
	U.S. METRIC	DRAWN	Teng.Cao		
.X	+/- 0.25	CHECKED	Ly.Yi	Sep.24,2019	TITLE MINI COOL EDGE CONNECTOR 168P S/M MATE 1.57 HOST PCB
.XX	+/- 0.20	APPROVED			
.XXX	+/- 0.15	DRAWING FILE :		SIZE	
FRACTIONS	+/- 5°	INTERNAL\ME\C ME10168X340X10X		DRAWING NO.	
ANGLES	+/-	ANGLE OF PROJECTION		REV.	
FOR MATERIALS AND FINISHES SEE NOTES				A3 C ME10168X340X10X	
REMOVE SHARP EDGES				SCALE	
DIMENSIONS					
—U.S.—	INCHES				
(METRIC)	(mm)				

This document is the property of Amphenol Corporation and is delivered on the express condition that it is not to be disclosed, reproduced or used, in whole or in part, for manufacture or sale by anyone other than Amphenol Corporation without its prior consent, & that no right is granted to disclose or to use any information in this document.

CUSTOMER DRAWING

1 REVISIONS				
SYM	ECN	DESCRIPTION	DATE	APPROVED
		SEE SHEET 1		



SCREW



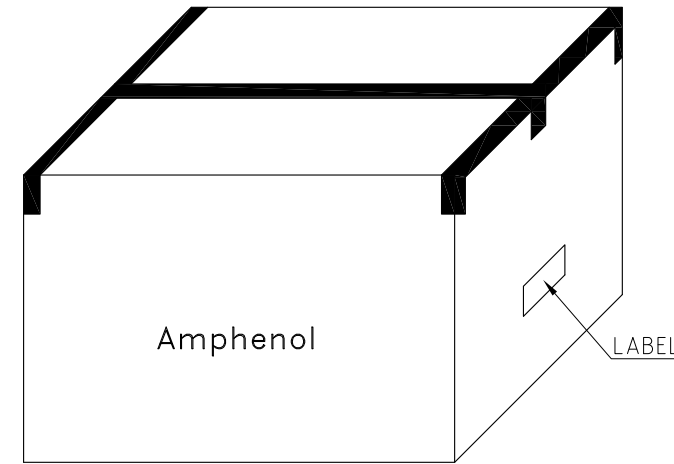
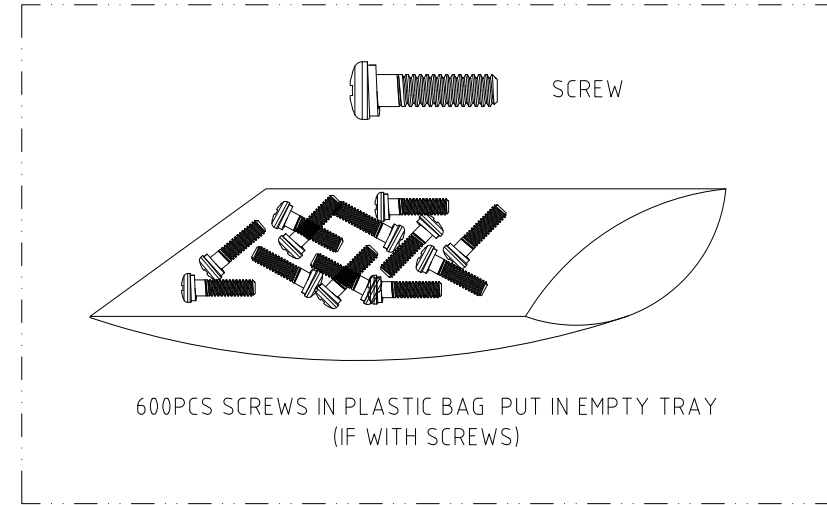
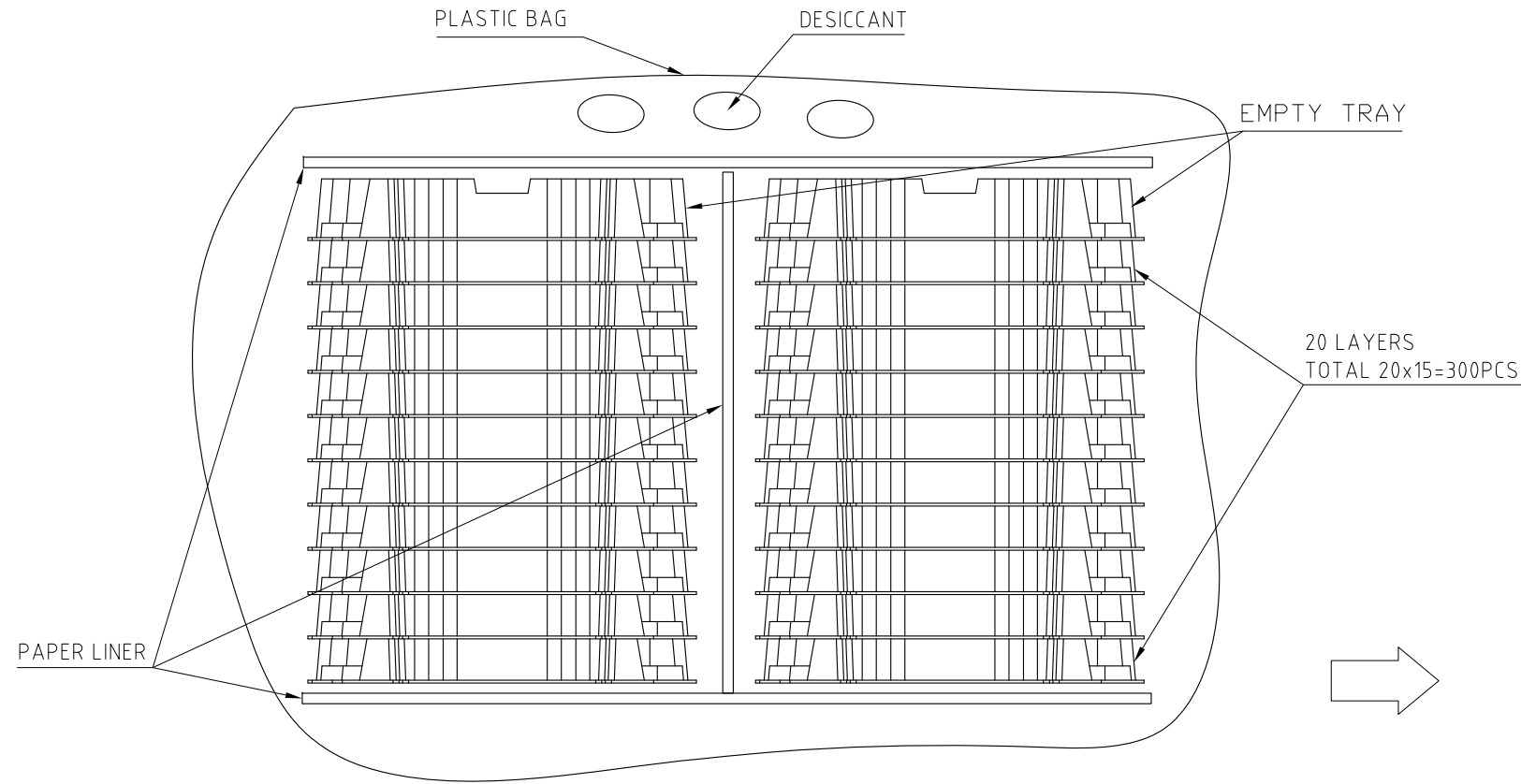
- NOTE:
1. MATERIAL: SUS304
 2. DIMENSIONS CONFORM TO GB823, GB93,
 3. THE TORQUE 0.17N.M MAX

UNLESS OTHERWISE SPECIFIED TOLERANCES U.S. METRIC .X +/- 0.25 .XX +/- 0.20 .XXX +/- 0.15 FRACTIONS +/- ANGLES +/- 5° FOR MATERIALS AND FINISHES SEE NOTES REMOVE SHARP EDGES DIMENSIONS —U.S.— INCHES (METRIC) (mm)	APPROVAL	DATE	Amphenol TITLE MINI COOL EDGE CONNECTOR 168P S/M MATE 1.57 HOST PCB SIZE DRAWING NO. A3 C ME10168X340X10X SCALE NONE SHEET 3 OF 5
	DRAWN Teng.Cao	Sep.24,2019	
	CHECKED Ly.Yi	Sep.24,2019	
	APPROVED		
	DRAWING FILE :	INTERNAL\ME\C ME10168X340X10X	
	ANGLE OF PROJECTION		REV. 6

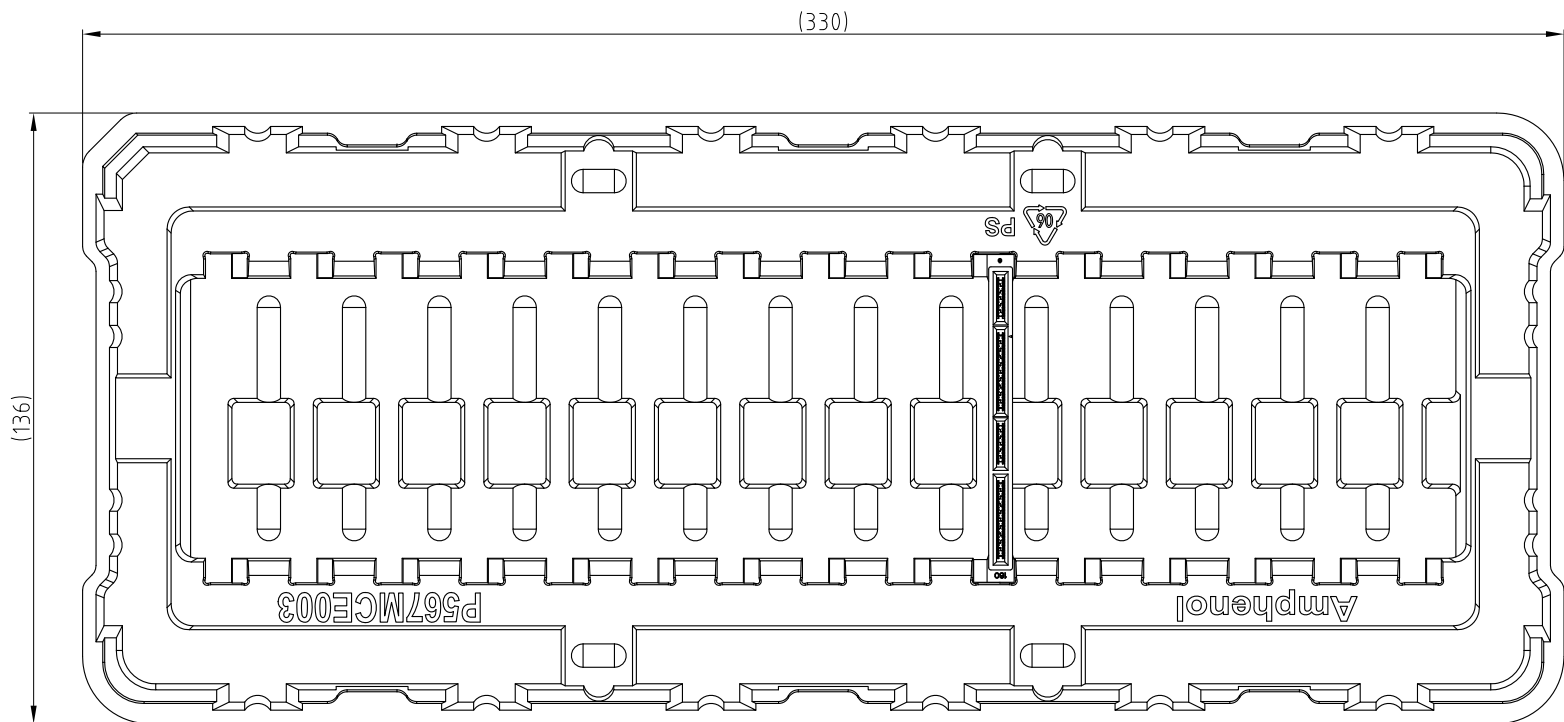
This document is the property of Amphenol Corporation and is delivered on the express condition that it is not to be disclosed, reproduced or used, in whole or in part, for manufacture or sale by anyone other than Amphenol Corporation without its prior consent, & that no right is granted to disclose or to use any information in this document.

REVISIONS				
SYM	ECN	DESCRIPTION	DATE	APPROVED
		SEE SHEET 1		

CUSTOMER DRAWING



300PCS / CARTON



UNLESS OTHERWISE SPECIFIED TOLERANCES	
U.S.	METRIC
.X +/-	0.25
.XX +/-	0.20
.XXX +/-	0.15
FRACTIONS +/-	
ANGLES +/-	5°

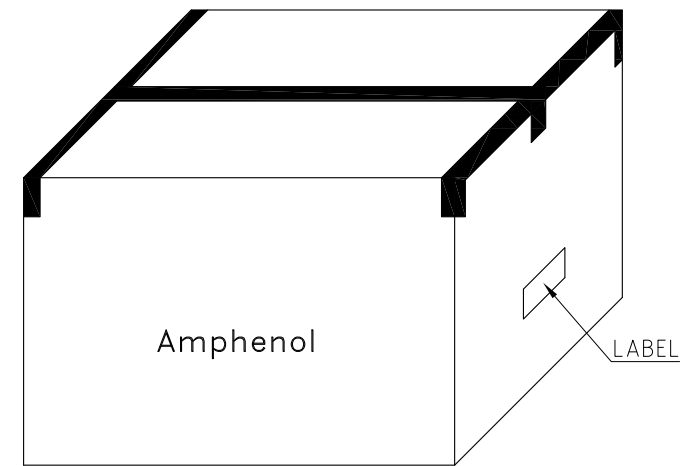
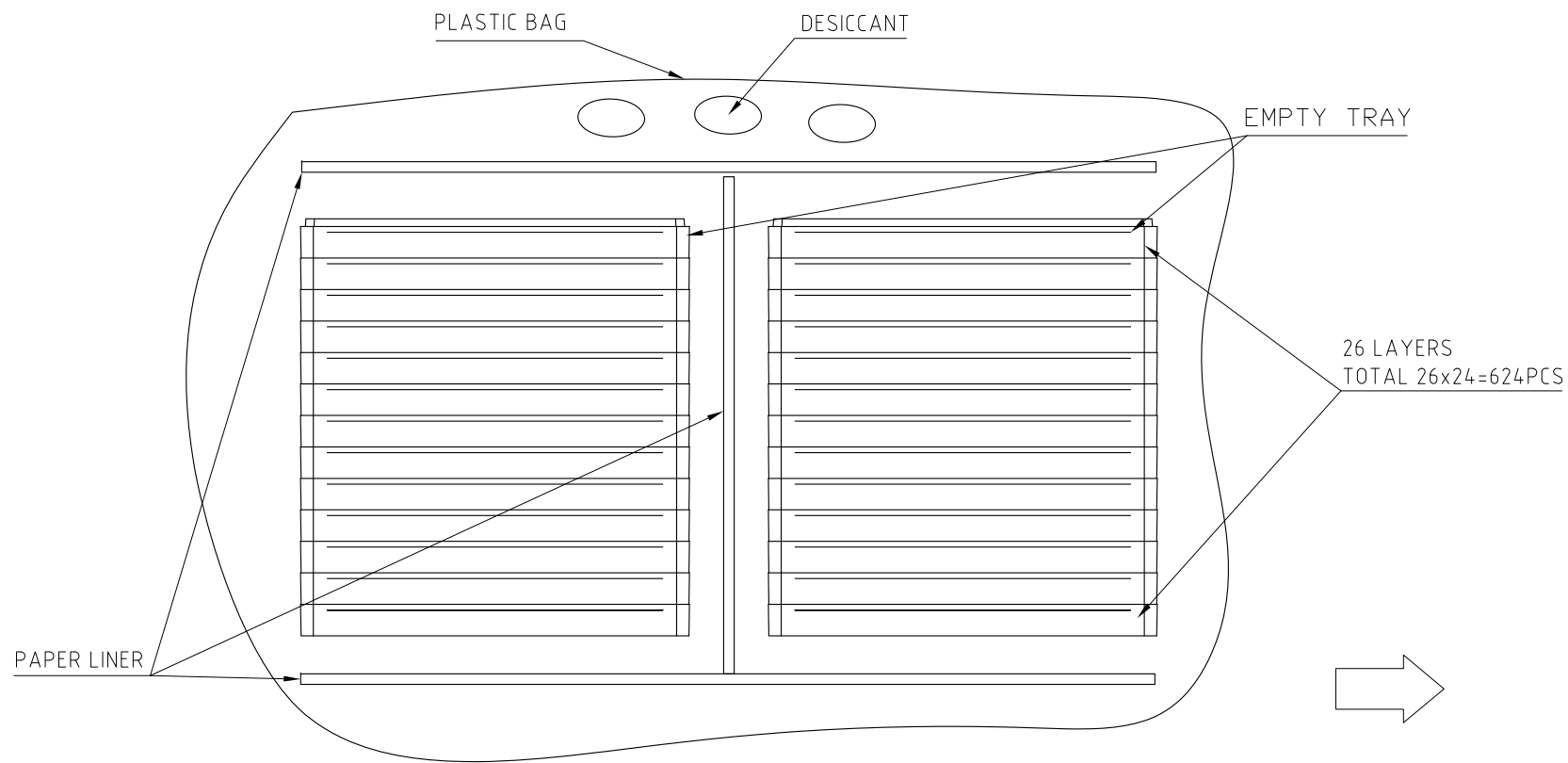
APPROVAL		DATE
DRAWN	Teng.Cao	Sep.24,2019
CHECKED	Ly.Yi	Sep.24,2019
APPROVED		
DRAWING FILE :		
INTERNAL\ME\C ME10168X340X10X		
ANGLE OF PROJECTION		

Amphenol		
TITLE		
MINI COOL EDGE CONNECTOR		
168P S/M MATE 1.57 HOST PCB		
SIZE	DRAWING NO.	REV.
A3	C ME10168X340X10X	6
SCALE	NONE	SHEET 4 OF 5

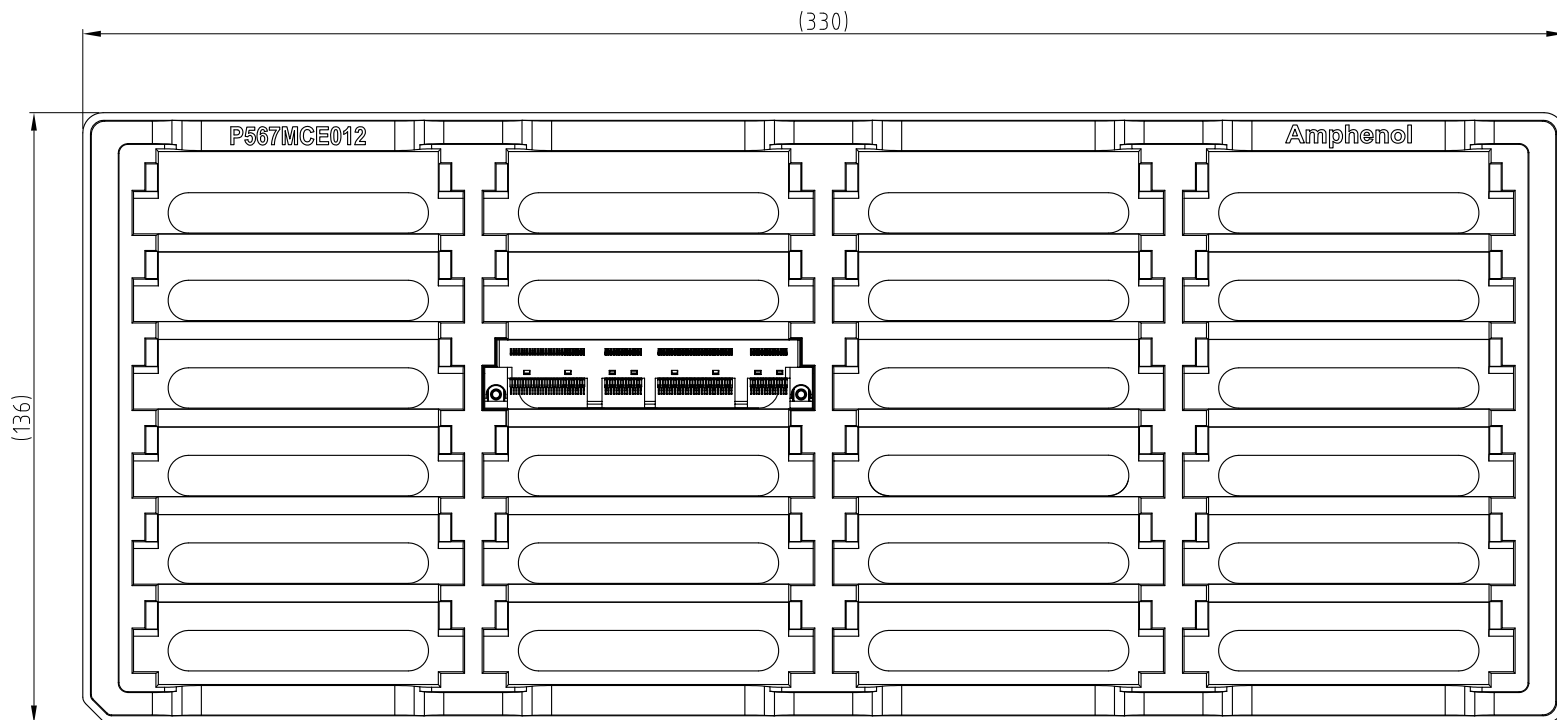
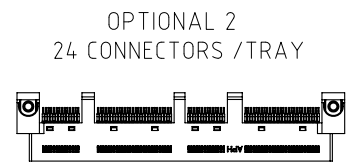
This document is the property of Amphenol Corporation and is delivered on the express condition that it is not to be disclosed, reproduced or used, in whole or in part, for manufacture or sale by anyone other than Amphenol Corporation without its prior consent, & that no right is granted to disclose or to use any information in this document.

CUSTOMER DRAWING

REVISIONS				
SYM	ECN	DESCRIPTION	DATE	APPROVED
		SEE SHEET 1		



624PCS / CARTON



UNLESS OTHERWISE SPECIFIED TOLERANCES		APPROVAL	DATE	Amphenol	
	U.S. METRIC	DRAWN	Teng.Cao Sep.24,2019		
.X +/-	0.25	CHECKED	Ly.Yi Sep.24,2019		
.XX +/-	0.20	APPROVED		TITLE	
.XXX +/-	0.15			MINI COOL EDGE CONNECTOR	
FRACTIONS +/-				168P S/M MATE 1.57 HOST PCB	
ANGLES +/-	5°			SIZE	DRAWING NO.
FOR MATERIALS AND FINISHES SEE NOTES		DRAWING FILE : INTERNAL\ME\C ME10168X340X10X		A3	C ME10168X340X10X
REMOVE SHARP EDGES		ANGLE OF PROJECTION		REV.	6
DIMENSIONS				SCALE	NONE
—U.S.—	INCHES			SHEET 5 OF 5	
(METRIC)	(mm)				

单击下面可查看定价，库存，交付和生命周期等信息

[>>Amphenol\(安费诺\)](#)