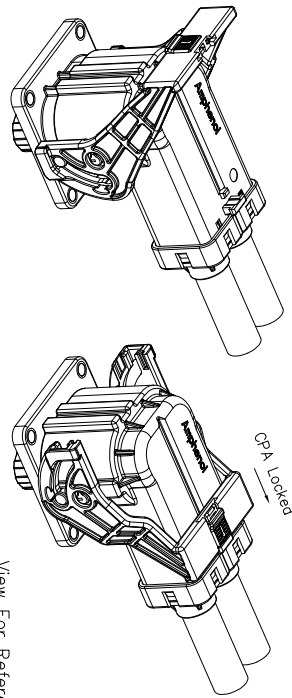
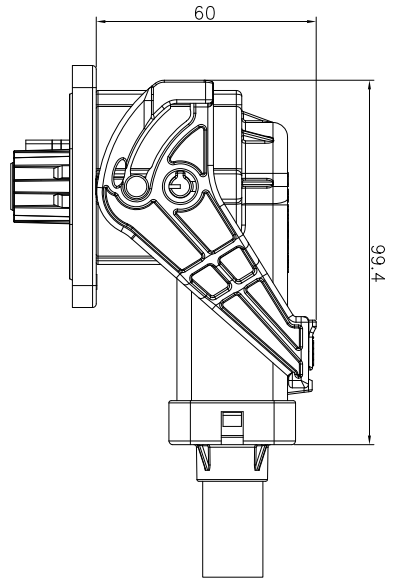
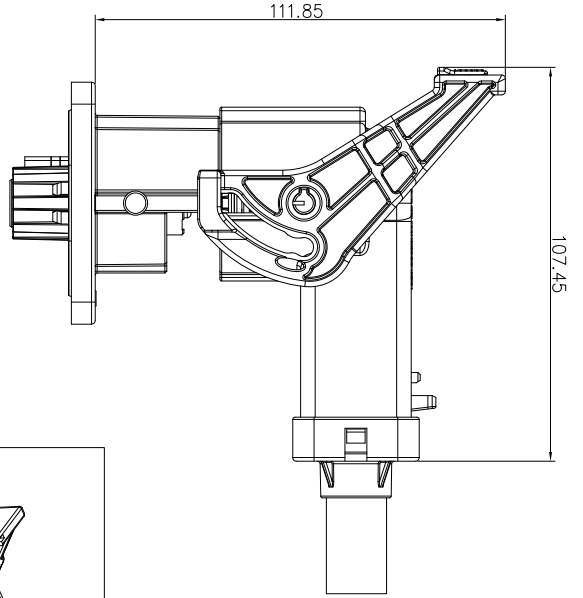
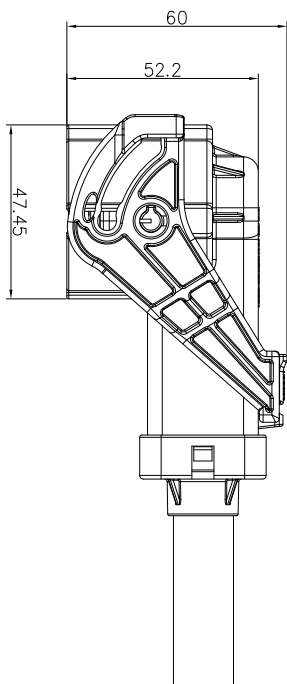
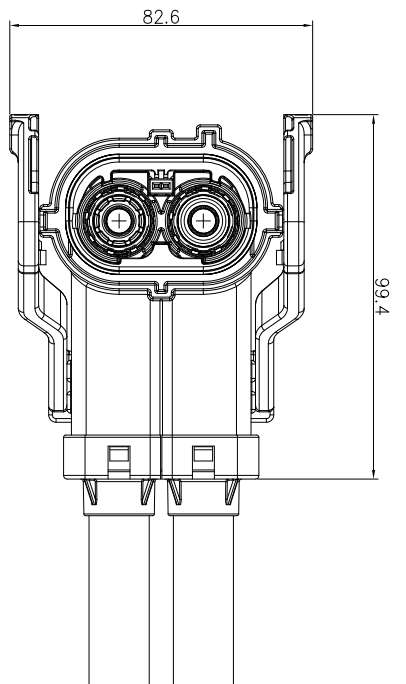


Mating with socket

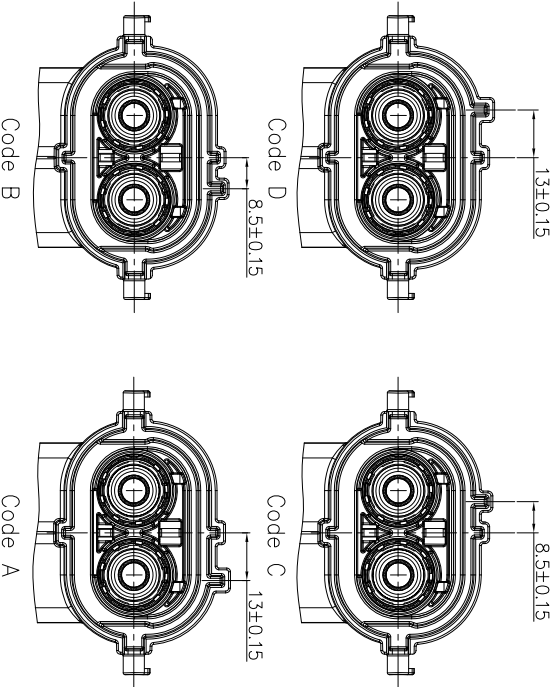


View For Reference

Dimension



Codings



- Notes:
1. Cable size: 25/35/50 mm<sup>2</sup> Shielding Cable;
  2. HVL Function;
  3. Shielding: 360°;
  4. Max. Rated Voltage: 1500V DC;
  5. Max Current: 250A;
  6. Mating Cycles: 50 min.;
  7. IP Code: IP67, IP6K9K(Mated); IPXXB(Unmated);
  8. Unmating With Socket: By Hand/Locking Latch;
  9. All Materials Should Meet RoHS Requests.

### HVC2P80FV150

- Coding
- 1, Code A
  - 2, Code B
  - 3, Code C
  - 4, Code D
- cable size
- 25: 25mm<sup>2</sup> shielding cable
  - 35: 35mm<sup>2</sup> shielding cable
  - 50: 50mm<sup>2</sup> shielding cable

Wichtigste sowie Verneinung dieser Hinweise, Verwendung ausserhalb der vorgesehenen Anwendung, einschließen zu Sondervertrieb. Alle Rechte für den Fall der Patentverletzung oder Gebrauchsmuster-Eintragung vorbehalten.

Coping of this document and giving it to others and the use or communication of the contents thereof, are forbidden without express authoriz. Offenders are liable to the payment of a penalty or the registration of the utility model or design.

Mass (technical) / Die No. 1.03 / 1.03		9. Die No. / Revision 1.03 / 1.03		Material / Scale A2	
Reference / Part Number HVC2P80FV150		Date / Issue 2016/02/21 / 1st		Customer Drawing HVC 2 Poles 90° Plug	
Design / Author [Blank]		Date / Issue 2016/02/21 / 1st		Append Automotive China operation HVC2P80FVXXXX	
Date / Issue 2016/02/21 / 1st		Date / Issue 2016/02/21 / 1st		Date / Issue 2016/02/21 / 1st	

单击下面可查看定价，库存，交付和生命周期等信息

[>>Amphenol\(安费诺\)](#)