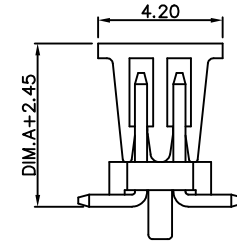
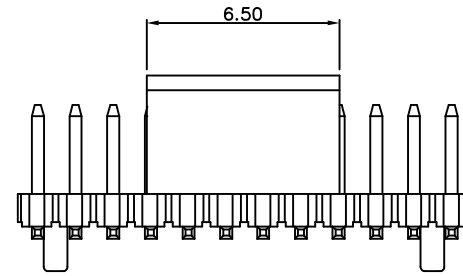
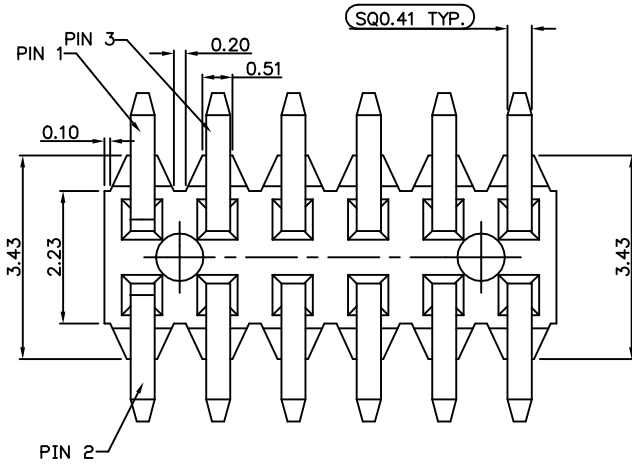
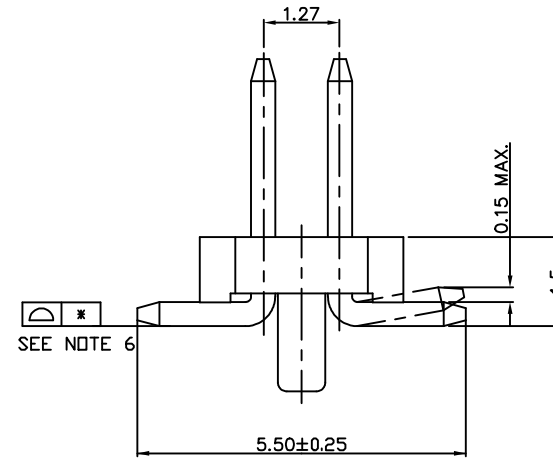
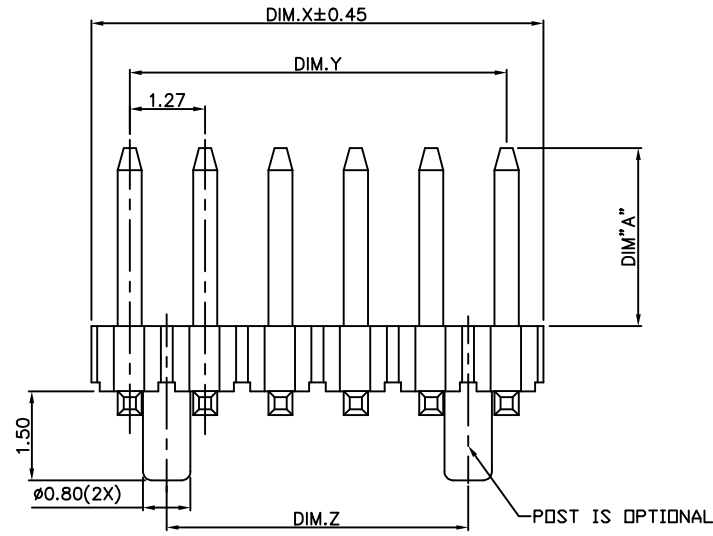


PART NO.
20021121



PRODUCT WITH CAP

NOTES:

- MATERIAL:
HOUSING: HIGH TEMPERATURE THERMOPLASTIC, UL94-V0 BLACK.
TERMINAL: COPPER ALLOY
- THE HOUSING WILL WITHSTAND EXPOSURE TO 260°C PEAK TEMPERATURE FOR 10 SECONDS IN A CONVECTION INFRA-RED OR VAPOR PHASE REFLOW OVEN.
- THIS PRODUCT MEETS EUROPEAN UNION DIRECTIVES AND OTHER COUNTRY REGULATIONS AS DESCRIBED IN GS-22-008.
- PRODUCT SPEC: GS-12-629
- PACKAGE SPEC: GS-14-1420
- 0.04~38 POS.: 0.1mm
40~100 POS.: 0.14mm

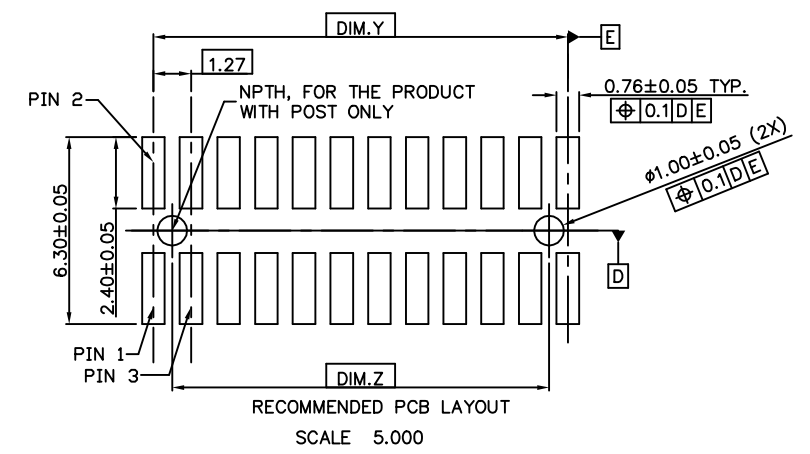
mat'l. code		surface		tolerance		projection		product family	
		ISO 1302		ISO 406 ISO 1101		1101		MINITEK127®	
ltr	ecn no	dr	date	tolerances unless otherwise specified		mm		title	
L	ELX-N-23548	TIM	03/21/16	angles		.0±.30		UNSHROUDED HDR VT SMT	
M	ELX-N-23949	TIM	04/26/16	linear		.00±.20			
N	ELX-N-28817	TONY	12/18/17	0'±2'		.000±.10		scale 1:1	
P	ELX-N-32456	TONY	01/14/19	dr		ZK HU 8/1/12		dwg no	
R	ELX-N-40994-1	YY	05/24/21	engr		ZK HU 8/1/12		sheet 1 of 2	
S	ELX-N-49660	SF	11/02/23	chr		BIAN RICK 8/1/12		size	
				appd		BIAN RICK 8/1/12		20021121	
								A3	
								type Product Customer Drawing	
sheet	revision	S	S						
index	sheet	1	2						

Amphenol FCI

© 2016 AFCI

PART NO.	POS.	DIM.X	DIM.Y	DIM.Z
20021121-XX04XXLF	2 X 2	2.54	1.27	0
20021121-XX06XXLF	2 X 3	3.81	2.54	1.27
20021121-XX08XXLF	2 X 4	5.08	3.81	2.54
20021121-XX10XXLF	2 X 5	6.35	5.08	3.81
20021121-XX12XXLF	2 X 6	7.62	6.35	5.08
20021121-XX14XXLF	2 X 7	8.89	7.62	6.35
20021121-XX16XXLF	2 X 8	10.16	8.89	7.62
20021121-XX18XXLF	2 X 9	11.43	10.16	8.89
20021121-XX20XXLF	2 X 10	12.70	11.43	10.16
20021121-XX22XXLF	2 X 11	13.97	12.70	11.43
20021121-XX24XXLF	2 X 12	15.24	13.97	12.70
20021121-XX26XXLF	2 X 13	16.51	15.24	13.97
20021121-XX28XXLF	2 X 14	17.78	16.51	15.24
20021121-XX30XXLF	2 X 15	19.05	17.78	16.51
20021121-XX32XXLF	2 X 16	20.32	19.05	17.78
20021121-XX34XXLF	2 X 17	21.59	20.32	19.05
20021121-XX36XXLF	2 X 18	22.86	21.59	20.32
20021121-XX38XXLF	2 X 19	24.13	22.86	21.59
20021121-XX40XXLF	2 X 20	25.40	24.13	22.86
20021121-XX42XXLF	2 X 21	26.67	25.40	24.13
20021121-XX44XXLF	2 X 22	27.94	26.67	25.40
20021121-XX46XXLF	2 X 23	29.21	27.94	26.67
20021121-XX48XXLF	2 X 24	30.48	29.21	27.94
20021121-XX50XXLF	2 X 25	31.75	30.48	29.21
20021121-XX52XXLF	2 X 26	33.02	31.75	30.48
20021121-XX54XXLF	2 X 27	34.29	33.02	31.75
20021121-XX56XXLF	2 X 28	35.56	34.29	33.02
20021121-XX58XXLF	2 X 29	36.83	35.56	34.29
20021121-XX60XXLF	2 X 30	38.10	36.83	35.56
20021121-XX62XXLF	2 X 31	39.37	38.10	36.83
20021121-XX64XXLF	2 X 32	40.64	39.37	38.10
20021121-XX66XXLF	2 X 33	41.91	40.64	39.37
20021121-XX68XXLF	2 X 34	43.18	41.91	40.64
20021121-XX70XXLF	2 X 35	44.45	43.18	41.91
20021121-XX72XXLF	2 X 36	45.72	44.45	43.18
20021121-XX74XXLF	2 X 37	46.99	45.72	44.45
20021121-XX76XXLF	2 X 38	48.26	46.99	45.72
20021121-XX78XXLF	2 X 39	49.53	48.26	46.99
20021121-XX80XXLF	2 X 40	50.80	49.53	48.26
20021121-XX82XXLF	2 X 41	52.07	50.80	49.53
20021121-XX84XXLF	2 X 42	53.34	52.07	50.80
20021121-XX86XXLF	2 X 43	54.61	53.34	52.07
20021121-XX88XXLF	2 X 44	55.88	54.61	53.34
20021121-XX90XXLF	2 X 45	57.15	55.88	54.61

PART NO.	POS.	DIM.X	DIM.Y	DIM.Z
20021121-XX92XXLF	2 X 46	58.42	57.15	55.88
20021121-XX94XXLF	2 X 47	59.69	58.42	57.15
20021121-XX96XXLF	2 X 48	60.96	59.69	58.42
20021121-XX98XXLF	2 X 49	62.23	60.96	59.69
20021121-XXA0XXLF	2 X 50	63.50	62.23	60.96



20021121-X X X XX X X LF

- LEAD FREE
- PLATING ON CONTACT AREA
 - 1: GOLD FLASH AT CONTACT, 1.27um MIN. MATTE TIN AT TAIL
 - 2: GOLD FLASH AT CONTACT, GOLD FLASH AT TAIL
 - 4: 0.25um Au MIN. AT CONTACT, 1.27um MIN.MATTE TIN AT TAIL
 - 5: 0.25um Au MIN. AT CONTACT, GOLD FLASH AT TAIL
 - 6: 0.38um GXT MIN. AT CONTACT, 1.27um MIN.MATTE TIN AT TAIL
 - 7: 0.38um GXT MIN. AT CONTACT, GOLD FLASH AT TAIL
 - 8: 0.76um GXT MIN. AT CONTACT, 1.27um MIN.MATTE TIN AT TAIL
 - 9: 0.76um GXT MIN. AT CONTACT, GOLD FLASH AT TAIL
- PACKING STYLE
 - T: TUBE
 - D: TUBE + CAP
 - C: TAPE & REEL + CAP
- PIN NO. SEE TABLE
- MATING LENGTH(DIM"A")
 - 0: 3.05MM
 - 1: 5.55MM
- CODE
 - 0: STANDARD
 - V: DEDICATED CUSTOMER
- POST OPTION
 - 0: WITHOUT POST
 - 1: WITH POST

mat'l. code		surface <input checked="" type="checkbox"/> tolerance <input checked="" type="checkbox"/>		projection		product family	
		ISO 1302 <input checked="" type="checkbox"/> ISO 406 ISO 1101				MINITEK127®	
ltr		ecn no		dr		date	
s		tolerances unless otherwise specified		angles		title	
		.0±.30		linear		UNSHROUDED HDR VT SMT	
		.00±.20				mm	
		0±2'				scale 1:1	
		dr		ZK HU		8/1/12	
		eng		ZK HU		8/1/12	
		chr		BIAN RICK		8/1/12	
		appd		BIAN RICK		8/1/12	
sheet		revision				dwg no	
index		sheet				sheet 2 of 2	
						size	
						A3	
						type Product Customer Drawing	

Amphenol FCI

© 2016 AFCI

D

单击下面可查看定价，库存，交付和生命周期等信息

[>>Amphenol\(安费诺\)](#)